

DESCRIPTION

The EV7752-F-00A is the evaluation board for the MP7752, a 15W stereo BTL Fix Frequency Inductorless Class D Audio Amplifier. It is one of MPS' products of fully integrated audio amplifiers which dramatically reduce solution size by integrating the following:

- 240mΩ power MOSFETs
- Startup / Shutdown pop elimination
- Short circuit protection circuits
- Advanced EMI performance
- Inductorless topology

The MP7752 utilizes Bridge Tied Load output structure capable of delivering stereo 15W into 8Ω speakers. It features in automatic shutdown function which can save power in battery-used system. The PLIMIT function is useful for limiting total output power by simply adjust a DC reference voltage at PLIMIT pin. MPS Class D Audio Amplifiers exhibit the high fidelity of a Class A/B amplifier at high efficiency.

ELECTRICAL SPECIFICATIONS

Parameter	Symbol	Value	Units
Supply Voltage	V_{DD}	5~18	V

FEATURES

- 15W Stereo BTL Output at $V_{DD} = 16V$ into 8Ω loads
- 9.5W Stereo BTL Output at $V_{DD} = 12V$ into 8Ω loads
- 90% Efficiency at 9.5W x 2 and $V_{DD}=12V$ with 8Ω load, Stereo
- Low Noise (115μV Typical)
- 5V to 18V Operation from a Single Supply

APPLICATIONS

- TV
- DVD Receiver
- Active Speakers
- Home Theater

All MPS parts are lead-free and adhere to the RoHS directive. For MPS green status, please visit MPS website under Products, Quality Assurance page.

"MPS" and "The Future of Analog IC Technology" are registered trademarks of Monolithic Power Systems, Inc..

EV7752-F-00A EVALUATION BOARD

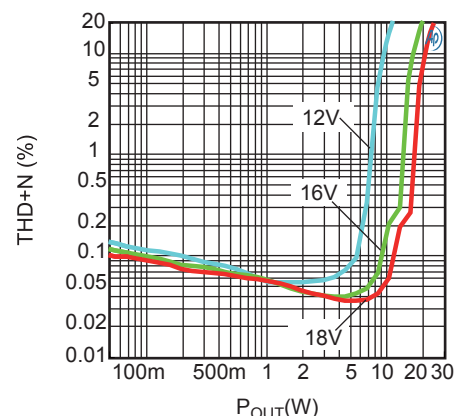


(L x W x H) 3.3" x 3.1" x 0.8"
8.5cm x 8.0cm x 2.0cm

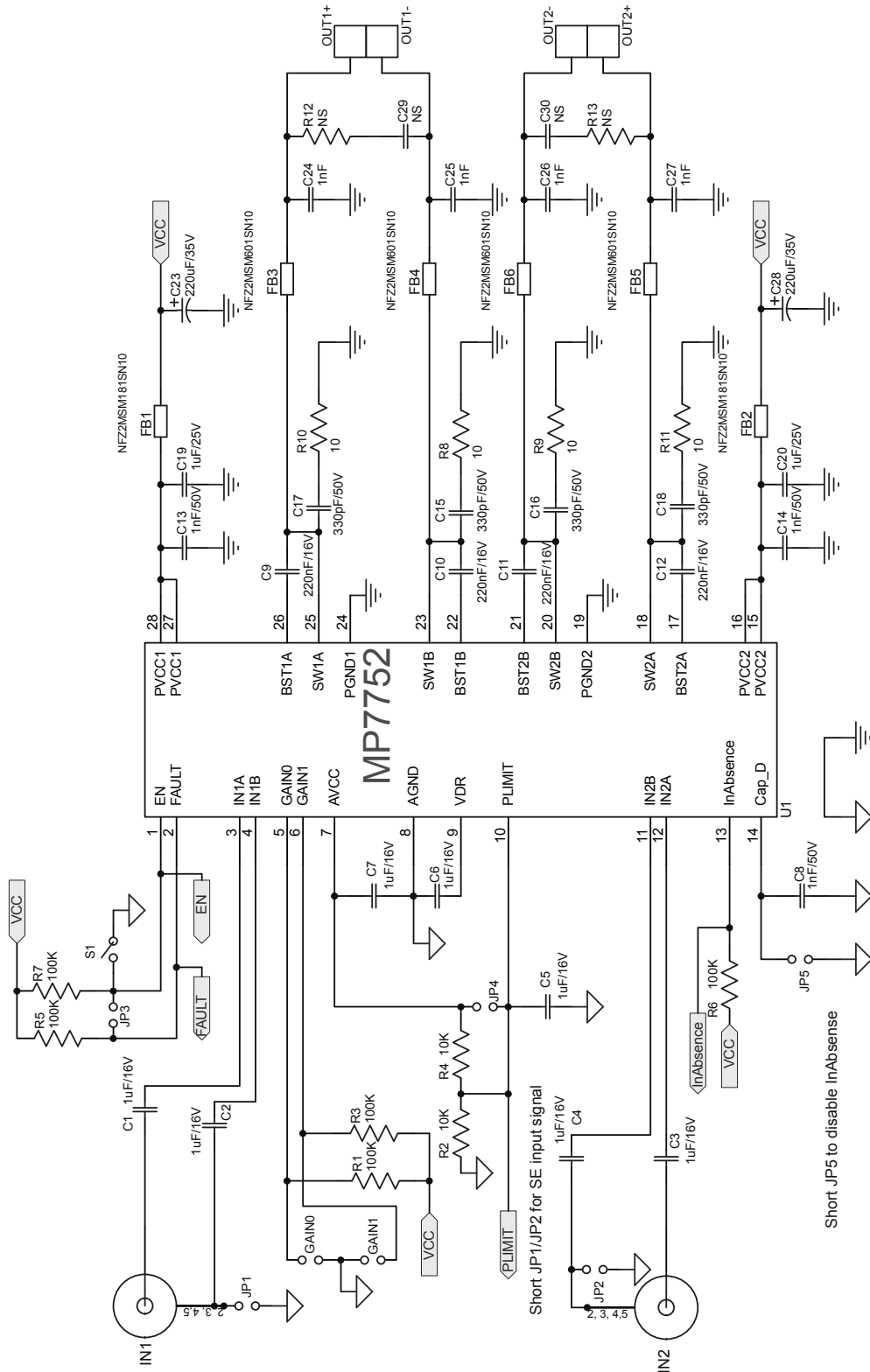
Board Number	MPS IC Number
EV7752-F-00A	MP7752GF

THD+N vs. P_{OUT}

$R_{LOAD}=8\Omega+66\mu H$, Freq=1kHz



EVALUATION BOARD SCHEMATIC



EV7752-F-00A BILL OF MATERIALS

Qty	Ref	Value	Description	Package	Manufacture	Manufacture_PN
7	C1, C2, C3, C4, C5, C6, C7	1µF/16V	Ceramic Capacitor;16V;X7R;0603;	0603	muRata	GRM188R71C105KA12D
7	C8, C13, C14, C24, C25, C26, C27	1nF/50V	Ceramic Capacitor;50V;C0G;0603;	0603	muRata	GRM1885C1H102JA01D
4	C9, C10, C11, C12	220nF	Ceramic Capacitor;50V;X7R;0402	0402	TAIYO YUDEN	UMK105BJ224KV-F
4	C15, C16, C17, C18	330pF	Ceramic Capacitor;50V;X7R;0402;	0402	TDK	C1005X7R1H331K
2	C19, C20	1µF/50V	Ceramic Capacitor;50V;X7R;0805	0805	muRata	GRM21BR71H105KA12L
2	C23, C28	220µF/35V	Electrolytic Capacitor;35V	SMD	江海	VTD-35V220
2	C29, C30	NS				
5	R1, R3, R5, R6, R7	100k	Film Resistor;1%, Film Resistor;1%;	0603	Yageo	RC0603FR-07100KL
2	R2, R4	10k	Film Resistor;1%	0603	Yageo	RC0603FR-0710KL
4	R8, R9, R10, R11	10	Film Resistor;1%	0805	Yageo	RC0805FR-0710RL
2	R12, R13	NS	Film Resistor;1%	0805	Yageo	RC0805FR-0710RL
2	FB1, FB2	NFZ2MSM181SN10	muRata NFZ Filtler for Class D Audio Amplifier	0806	muRata	NFZ2MSM181SN10
4	FB3, FB4, FB5, FB6	NFZ2MSM601SN10	muRata NFZ Filtler for Class D Audio Amplifier	0806	muRata	NFZ2MSM601SN10
1	S1	Reset Botton	SPST Reset Botton	DIP	ANY	
9	EN, FAULT, GND, IN1+, IN1-, IN2+, IN2-, InAbsence, PLIMIT		Connector;1.0mm	DIP	ANY	
7	GAIN0, GAIN1, JP1, JP2, JP3, JP4, JP5		Connector 2Pin 2.54mm	DIP	ANY	
2	IN1, IN2		Connector, RCA Jack, R/A	DIP	ANY	
3	OUT1+, OUT2+, VCC	Banana Jack	Banana Connector;Red	DIP	ANY	
3	OUT1-, OUT2-, GND	Banana Jack	Banana Connector;Black,	DIP	ANY	
1	U1	MP7752	MP7752/TSSOP28/EP	TSSOP28 /EP	MPS	MP7752GF

PRINTED CIRCUIT BOARD LAYOUT

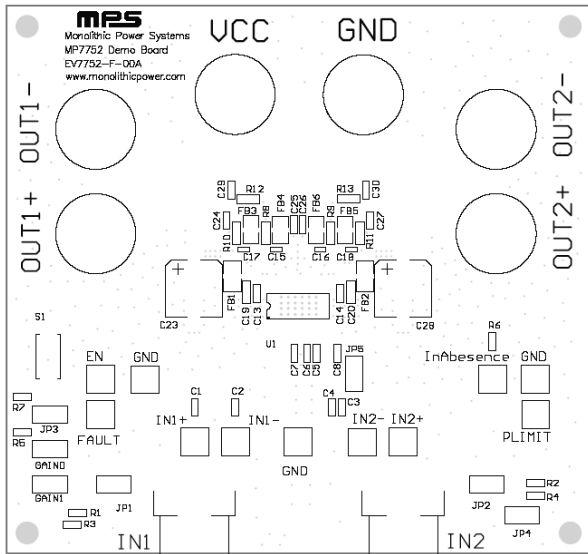


Figure 1—Top Silk Layer

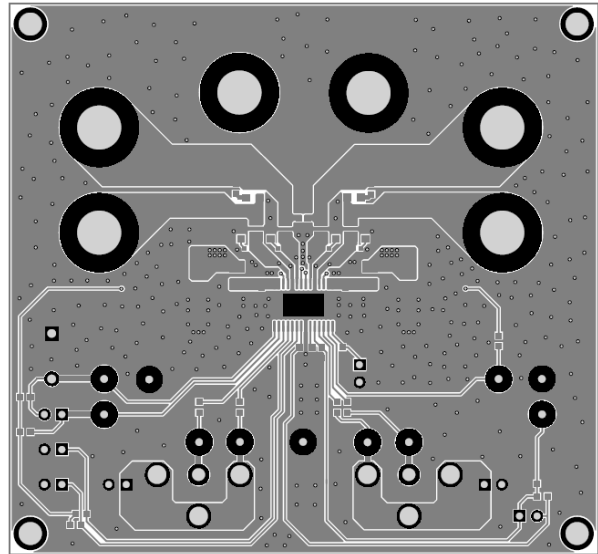


Figure 2—Top Layer

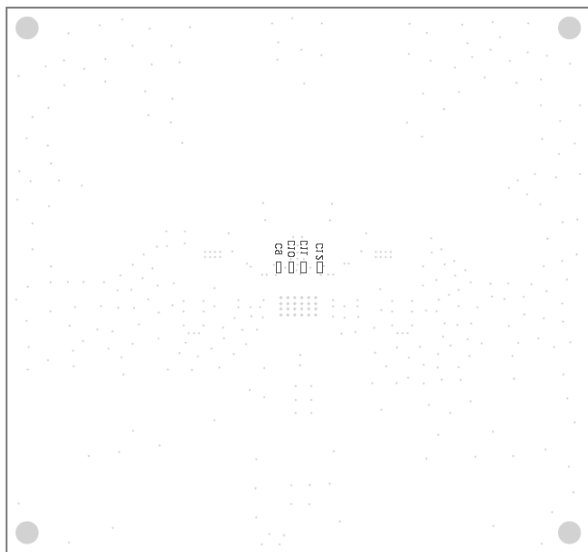


Figure 3—Bottom Silk Layer

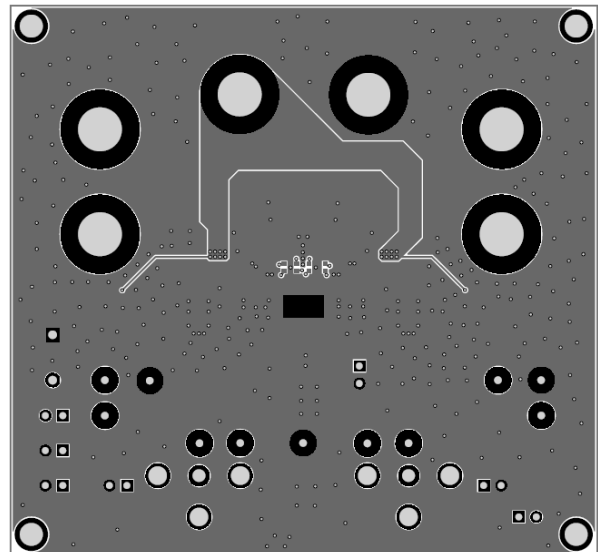


Figure 4—Bottom Layer

QUICK START GUIDE

EV7752-F-00A is set up from the factory for 5V to 18V single supply operating voltage with single-ended signal inputs. To use differential signal inputs, please remove the jumpers from JP1 and JP2.

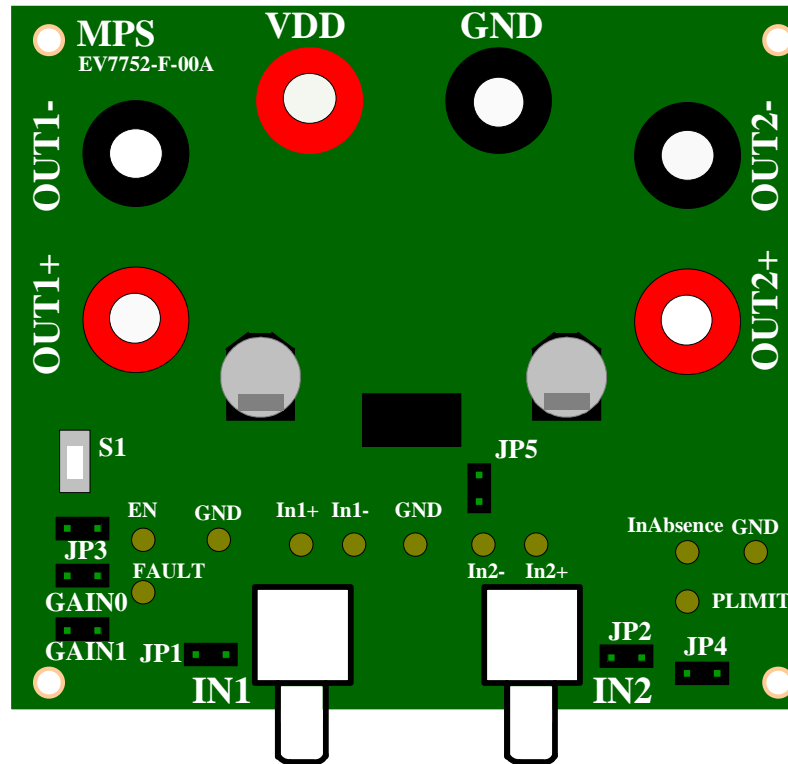


Figure 5—EV7752-F-00A Connection Diagram

1. Power, Signal and Load Impedance Requirements
 - a. Power supply: 5V to 18V (12V typical), 3A maximum (1.8A typical).
 - b. 0V to 2VRMS (max) audio signal source.
 - c. Speaker: typically 4Ω to 8Ω (8Ω typical);
2. Setup Condition for 12V Operation
 - a. Adjust the DC power supply to 12V (do not turn on).
 - b. Connect the outputs to the external speakers.
 - c. Connect the DC power supply to the power input terminals.
 - d. Set the voltage gain by GAIN0 and GAIN1 jumpers, default voltage gain=20dB.
 - e. Set the PLIMIT voltage to target output power level. Default setting is 1/2 AVCC, 2.75V equivalent.
 - e. Connect the audio input signal source to the amplifier inputs (IN1 and IN2).
3. Music Turn-on/off Sequence
 - a. Push button S1 to disable this EVB, release S1 to enable (default position).
 - b. Turn-on/off the power supply.