

GENERAL DESCRIPTION

The MP8801 is a low-noise, low-dropout linear regulator. It operates from 2.7V to 6.5V input voltage, and regulates the output voltage with 2% accuracy from 1.5V to 5V.

The MP8801 can supply up to 150mA of load current. The MP8801 features thermal overload protection. It is available in a 5-pin TSOT23-5 package.

ELECTRICAL SPECIFICATIONS

Parameter	Symbol	Value	Units
Input Voltage	V_{IN}	2.7 to 6.5	V
Output Voltage ⁽¹⁾	V_{OUT}	2.85	V
Operating Temp		-40 to +85	°C

Note:

- 1) 2.85V default output voltage adjustable from 1.5V to 5.0V using an external resistor divider.

FEATURES

- Low 150mV Dropout at 150mA Output
- 2% Accurate Output Voltage
- Default Output Voltage Set to 2.85V, Adjustable from 1.5V to 5V using an External Resistor Divider
- Up to 6.5V Input Voltage
- High PSRR
 - 70dB at 1KHz
 - 30dB at 1MHz
- Better Than 0.001%/mA Load Regulation
- Stable With Low-ESR Output Capacitor
- Low 125µA Ground Current
- Internal Thermal Protection

APPLICATIONS

- 802.11 PC Cards
- Mobile Handset PLL Power
- Audio Codec Power

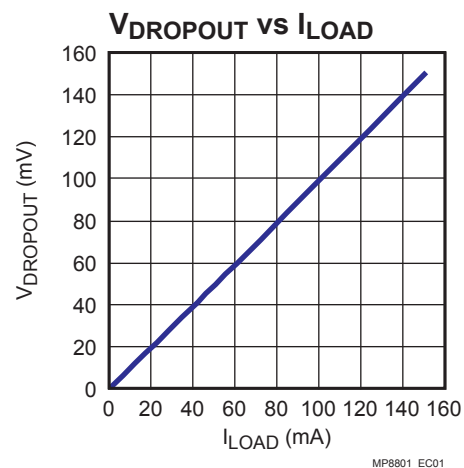
MPS, "MPS", "Monolithic Power Systems", and "The Future of Analog IC Technology" are Registered Trademarks of Monolithic Power Systems, Inc.

EV8801DJ-00A EVALUATION BOARD

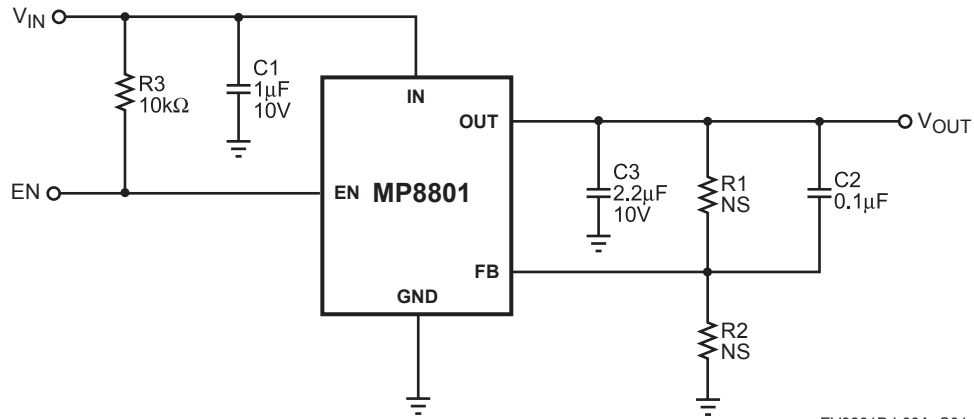


Dimensions (2.0"X x 2.0"Y x 0.4"Z)

Board Number	MPS IC Number
EV8801DJ-00A	MP8801DJ2.85



EVALUATION BOARD SCHEMATIC



EV8801DJ-00A_S01

EV8801DJ-00A BILL OF MATERIALS

Qty	Ref	Value	Description	Manufacturer	Manufacturer P/N
1	C1	1μF	Ceramic Cap, 10V, X7R	AVX	0805ZC105KAT2A
1	C2	0.1μF	Ceramic Cap, 50V, X7R	AVX	08055C104KAT2A
1	C3	2.2μF	Ceramic Cap, 10V, X5R	AVX	0805ZD225KAT2A
1	R1		Do Not Stuff		
1	R2		Do Not Stuff		
1	R3	10kΩ	Film Res, 5%	Panasonic	ERJ-6GEYJ104V
1	U1		DC-DC Converter	MPS	MP8801DJ2.85

PRINTED CIRCUIT BOARD LAYOUT

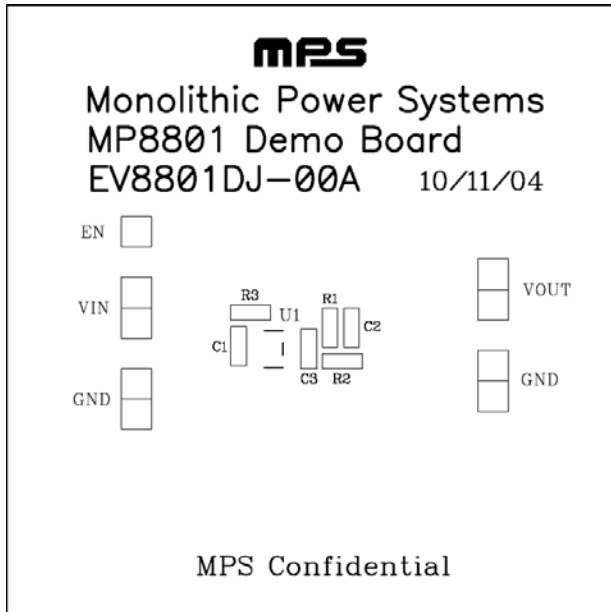


Figure 1—Top Silk Layer

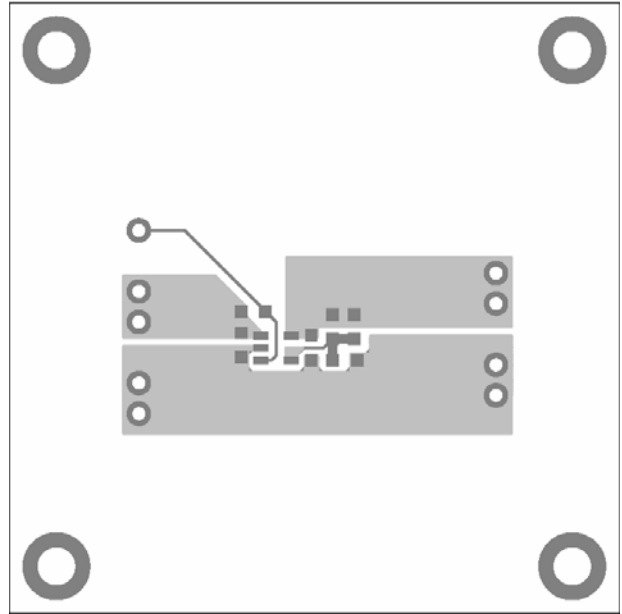


Figure 2—Top Layer