

TABLE OF CONTENTS

| | | | |
|--|----|---|----|
| Features | 1 | Calibration..... | 38 |
| Applications..... | 1 | Additional Calibration..... | 39 |
| Functional Block Diagram | 1 | System Level Calibration..... | 39 |
| Revision History | 3 | Circuit Operation | 40 |
| General Description | 4 | Force Voltage (FV) Mode..... | 40 |
| Specifications..... | 6 | Force Current (FI) Mode..... | 41 |
| Timing Characteristics | 11 | Serial Interface | 42 |
| Absolute Maximum Ratings..... | 15 | SPI Interface | 42 |
| Thermal Resistance | 15 | LVDS Interface..... | 42 |
| ESD Caution..... | 15 | Serial Interface Write Mode..... | 42 |
| Pin Configurations and Function Descriptions | 16 | RESET Function | 42 |
| Typical Performance Characteristics | 22 | BUSY and LOAD Functions | 42 |
| Terminology | 29 | Register Update Rates..... | 44 |
| Theory of Operation | 30 | Register Selection | 44 |
| Force Amplifier..... | 30 | Write System Control Register | 46 |
| Comparators..... | 30 | Write PMU Register..... | 48 |
| Clamps | 30 | Write DAC Register | 50 |
| Current Range Selection..... | 31 | Read Registers..... | 53 |
| High Current Ranges | 31 | Readback of System Control Register..... | 54 |
| Measure Current Gains..... | 32 | Readback of PMU Register | 55 |
| VMID Voltage..... | 32 | Readback of Comparator Status Register..... | 56 |
| Choosing Power Supply Rails | 33 | Readback of Alarm Status Register..... | 56 |
| Measure Output (MEASOUTx Pins)..... | 33 | Readback of DAC Register..... | 57 |
| Device Under Test Ground (DUTGND)..... | 33 | Applications Information | 58 |
| Guard Amplifier | 34 | Power-On Default | 58 |
| Compensation Capacitors | 34 | Setting Up the Device on Power-On | 58 |
| System Force and Sense Switches..... | 35 | Changing Modes | 59 |
| Temperature Sensor | 35 | Required External Components..... | 59 |
| DAC Levels..... | 36 | Power Supply Decoupling | 60 |
| Offset DAC..... | 36 | Power Supply Sequencing | 60 |
| Gain and Offset Registers..... | 36 | Typical Application for the AD5522..... | 60 |
| Cached X2 Registers..... | 37 | Outline Dimensions | 62 |
| Reference Voltage (VREF)..... | 37 | Ordering Guide | 63 |
| Reference Selection | 37 | | |

REVISION HISTORY**6/2018—Rev. E to Rev. F**

| | |
|--|----|
| Changes to Table 1 | 7 |
| Changes to Table 2 | 11 |
| Changes to Figure 5..... | 13 |
| Changes to Choosing Power Supply Rails Section and Note 2, Table 10 | 33 |
| Moved Table 11..... | 34 |
| Changes to MV Transfer Function, Table 11 and Note 3, Table 11 | 34 |
| Changes to Table 39 | 60 |
| Changes to Ordering Guide..... | 63 |

5/2012—Rev. D to Rev. E

| | |
|--|----|
| Change to MV Transfer Function, Table 11 | 33 |
|--|----|

2/2011—Rev. C to Rev. D

| | |
|--|----|
| Changes to Measure Current, Gain Error Tempco Parameter.... | 6 |
| Changes to Force Current, Common Mode Error (Gain = 5) and Common Mode Error (Gain = 10) Parameters | 7 |
| Changes to Figure 5..... | 13 |
| Changes to Figure 6..... | 14 |
| Changes to Figure 15 | 22 |
| Changes to High Current Ranges Section | 31 |
| Changes to Gain and Offset Registers Section | 36 |
| Changes to Endnote 1 in Table 17 and Figure 56..... | 43 |
| Changes to Register Update Rates and Figure 57 | 44 |
| Changes to Bit 15 to Bit 0 Description in Table 28 | 50 |

5/2010—Rev. B to Rev. C

| | |
|---|----|
| Changes to Compensation Capacitors Section | 34 |
| Changes to Gain and Offset Registers Section | 36 |
| Changes to Table 14 and Reducing Zero-Scale Error Section .. | 38 |
| Changes to Serial Interface Write Mode Section and <u>BUSY</u> and <u>LOAD</u> Functions Section | 42 |
| Changes to Table 17 | 43 |
| Added Table 18; Renumbered Sequentially..... | 43 |
| Changes to Register Update Rates Section | 44 |
| Changes to Table 23 | 46 |
| Changes to Table 31 | 54 |

10/2009—Rev. A to Rev. B

| | |
|---|----|
| Changes to Table 1 | 6 |
| Changes to Table 2 | 11 |
| Added Figure 13 and Figure 15; Renumbered Sequentially..... | 22 |
| Added Figure 16 | 23 |
| Changes to Figure 21 | 23 |
| Changes to Clamps Section | 30 |
| Changes to Table 22, Bit 21 to Bit 18 Description | 44 |
| Changes to Table 25, Bit 9 Description | 47 |
| Changes to Table 28 | 49 |
| Changes to Figure 59 | 59 |

10/2008—Rev. 0 to Rev. A

| | |
|--|----|
| Changes to Table 1 | 6 |
| Change to 4 DAC X1 Parameter, Table 2 | 11 |
| Changes to Table 3 | 12 |
| Change to Reflow Soldering Parameter, Table 4..... | 15 |
| Changes to Figure 18, Figure 19, Figure 20, and Figure 21 | 23 |
| Changes to Figure 25 | 24 |
| Changes to Force Amplifier Section..... | 29 |
| Changes to Clamps Section | 29 |
| Changes to High Current Ranges Section | 30 |
| Changes to Choosing Power Supply Rails Section | 32 |
| Changes to Compensation Capacitors Section | 33 |
| Added Table 14, Renumbered Tables Sequentially..... | 36 |
| Changes to Reference Selection Example | 36 |
| Changes to Table 15 and <u>BUSY</u> and <u>LOAD</u> Functions Section | 40 |
| Changes to Table 17 and Register Update Rates Section | 41 |
| Added Table 38 | 57 |
| Changes to Ordering Guide..... | 60 |

7/2008—Revision 0: Initial Version

GENERAL DESCRIPTION

The AD5522 is a high performance, highly integrated parametric measurement unit consisting of four independent channels. Each per-pin parametric measurement unit (PPMU) channel includes five 16-bit, voltage output DACs that set the programmable input levels for the force voltage inputs, clamp inputs, and comparator inputs (high and low). Five programmable force and measure current ranges are available, ranging from $\pm 5 \mu\text{A}$ to $\pm 80 \text{ mA}$.

Four of these ranges use on-chip sense resistors; one high current range up to $\pm 80 \text{ mA}$ is available per channel using off-chip sense resistors. Currents in excess of $\pm 80 \text{ mA}$ require an external amplifier. Low capacitance DUT connections (FOHx and EXTFOHx) ensure that the device is suited to relayless test systems.

The PMU functions are controlled via a simple 3-wire serial interface compatible with SPI, QSPI™, MICROWIRE™, and DSP interface standards. Interface clocks of 50 MHz allow fast updating of modes. The low voltage differential signaling (LVDS) interface protocol at 83 MHz is also supported. Comparator outputs are provided per channel for device go-no-go testing and characterization. Control registers allow the user to easily change force or measure conditions, DAC levels, and selected current ranges. The SDO (serial data output) pin allows the user to read back information for diagnostic purposes.

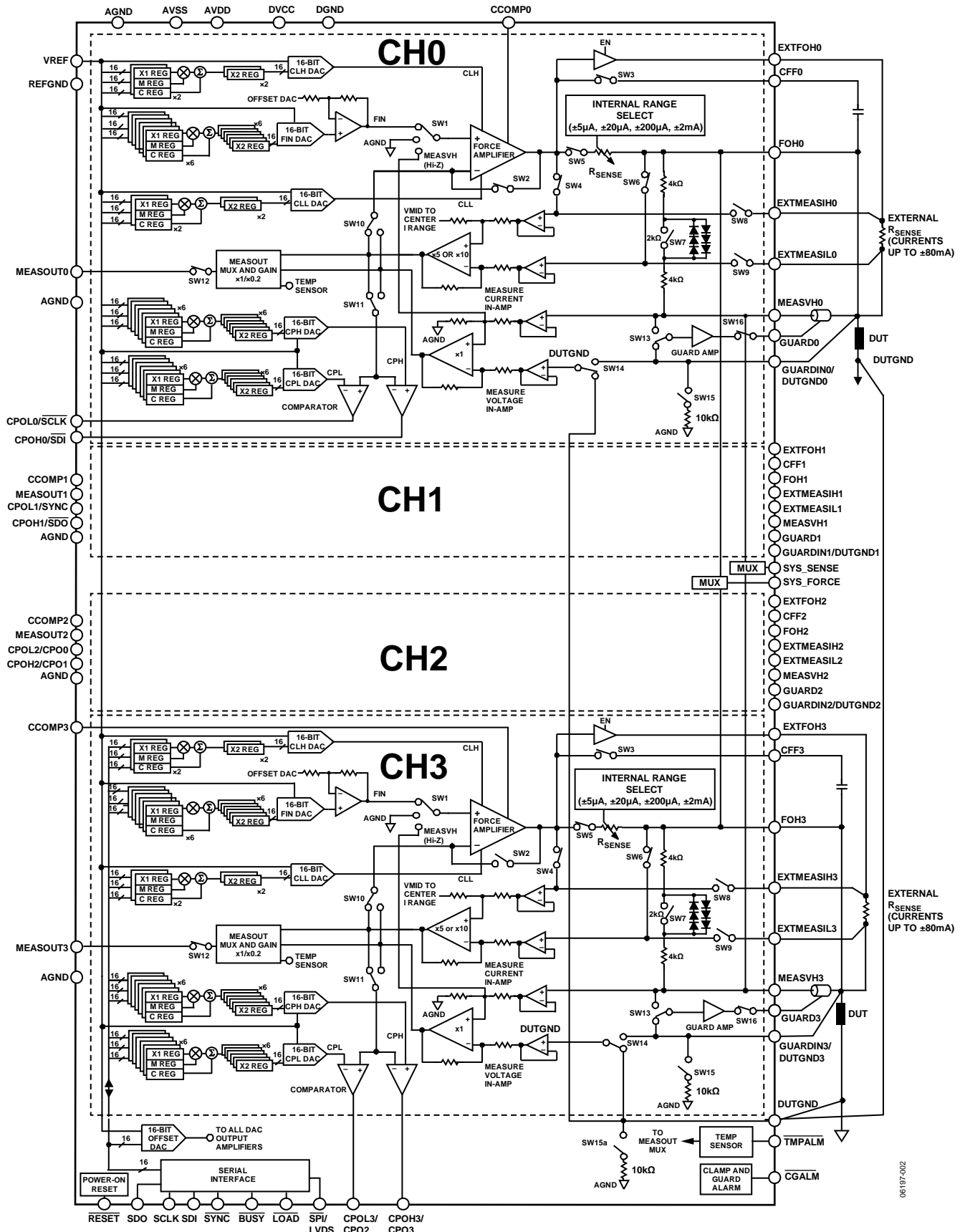


Figure 2. Detailed Block Diagram

SPECIFICATIONS

AVDD ≥ 10 V; AVSS ≤ -5 V; |AVDD - AVSS| ≥ 20 V and ≤ 33 V; DVCC = 2.3 V to 5.25 V; VREF = 5 V; REFGND = DUTGND = AGND = 0 V; gain (M), offset (C), and DAC offset registers at default values; T_J = 25°C to 90°C, unless otherwise noted. (FV = force voltage, FI = force current, MV = measure voltage, MI = measure current, FS = full scale, FSR = full-scale range, FSVR = full-scale voltage range, FSCR = full-scale current range.)

Table 1.

| Parameter | Min | Typ ¹ | Max | Unit | Test Conditions/Comments |
|---|----------|------------------|----------|----------|--|
| FORCE VOLTAGE | | | | | |
| FOHx Output Voltage Range ² | AVSS + 4 | | AVDD - 4 | V | All current ranges from FOHx at full-scale current, includes ±1 V dropped across sense resistor |
| EXTFOHx Output Voltage Range ² | AVSS + 3 | | AVDD - 3 | V | External high current range at full-scale current, does not include ±1 V dropped across sense resistor |
| Output Voltage Span | | 22.5 | | V | |
| Offset Error | -50 | | +50 | mV | Measured at midscale code; prior to calibration |
| Offset Error Tempco ² | | -10 | | μV/°C | Standard deviation = 20 μV/°C |
| Gain Error | -0.5 | | +0.5 | % FSR | Prior to calibration |
| Gain Error Tempco ² | | 0.5 | | ppm/°C | Standard deviation = 0.5 ppm/°C |
| Linearity Error | -0.01 | | +0.01 | % FSR | FSR = full-scale range (±10 V), gain and offset errors calibrated out |
| Short-Circuit Current Limit ² | -150 | | +150 | mA | ±80 mA range |
| | -10 | | +10 | mA | All other ranges |
| Noise Spectral Density (NSD) ² | | 320 | | nV/√Hz | 1 kHz, at FOHx in FV mode |
| MEASURE CURRENT | | | | | |
| Differential Input Voltage Range ² | -1.125 | | +1.125 | V | Measure current = (I _{DUT} × R _{SENSE} × gain), amplifier gain = 5 or 10, unless otherwise noted |
| Output Voltage Span | | 22.5 | | V | Voltage across R _{SENSE} ; gain = 5 or 10 |
| Offset Error | -0.5 | | +0.5 | % FSCR | Measure current block with VREF = 5 V, MEASOUT scaling happens after |
| Offset Error Tempco ² | | 1 | | μV/°C | V(R _{SENSE}) = ±1 V, measured with zero current flowing |
| Gain Error | -1 | | +1 | % FSCR | Referred to MI input; standard deviation = 4 μV/°C |
| | -0.5 | | +0.5 | % FSCR | Using internal current ranges |
| Gain Error Tempco ² | | -2 | | ppm/°C | Measure current amplifier alone |
| Linearity Error (MEASOUTx Gain = 1) | -0.015 | | +0.015 | % FSR | Standard deviation = 2 ppm/°C, measure current amplifier alone; internal sense resistor 25 ppm/°C |
| | -0.01 | | +0.01 | % FSR | MI gain = 10 |
| Linearity Error (MEASOUTx Gain = 0.2) | -0.06 | | +0.06 | % FSR | MI gain = 5 |
| | -0.11 | | +0.11 | % FSR | MI gain = 10, AVDD = 28 V, AVSS = -5 V, offset DAC = 0x0 |
| | -0.015 | | +0.015 | % FSR | MI gain = 10, AVDD = 10 V, AVSS = -23 V, offset DAC = 0x0EDB7 |
| | -0.06 | | +0.06 | % FSR | MI gain = 10, AVDD = 15.25 V, AVSS = -15.25 V, offset DAC = 0xA492 |
| | -0.01 | | +0.01 | % FSR | MI gain = 5, AVDD = 28 V, AVSS = -5 V, offset DAC = 0x0 |
| | -0.01 | | +0.01 | % FSR | MI gain = 5, AVDD = 10 V, AVSS = -23 V, offset DAC = 0xEDB7 |
| | -0.01 | | +0.01 | % FSR | MI gain = 5, AVDD = 15.25 V, AVSS = -15.25 V, offset DAC = 0xA492 |
| Common-Mode Voltage Range ² | AVSS + 4 | | AVDD - 4 | V | |
| Common-Mode Error (Gain = 5) | -0.01 | | +0.01 | % FSCR/V | % of full-scale change at force output per V change in DUT voltage |
| Common-Mode Error (Gain = 10) | -0.005 | | +0.005 | % FSCR/V | % of full-scale change at force output per V change in DUT voltage |
| Sense Resistors | | 200 | | kΩ | Sense resistors are trimmed to within 1% |
| | | 50 | | kΩ | ±5 μA range |
| | | 5 | | kΩ | ±20 μA range |
| | | 0.5 | | kΩ | ±200 μA range |
| | | | | kΩ | ±2 mA range |

| Parameter | Min | Typ ¹ | Max | Unit | Test Conditions/Comments |
|---|----------|------------------|----------|----------|---|
| Measure Current Ranges ² | | ±5 | | μA | Specified current ranges are achieved with VREF = 5 V and MI gain = 10, or with VREF = 2.5 V and MI gain = 5 |
| | | ±20 | | μA | Set using internal sense resistor |
| | | ±200 | | μA | Set using internal sense resistor |
| | | ±2 | | mA | Set using internal sense resistor |
| | | | ±80 | mA | Set using external sense resistor; internal amplifier can drive up to ±80 mA |
| Noise Spectral Density (NSD) ² | | 400 | | nV/√Hz | 1 kHz, MI amplifier only, inputs grounded |
| FORCE CURRENT | | | | | |
| Voltage Compliance, FOHx ² | AVSS + 4 | | AVDD – 4 | V | Supports 64 mA sink current and 80 mA source current |
| Voltage Compliance, EXTFOHx ² | AVSS + 3 | | AVDD – 3 | V | |
| | AVSS + 6 | | AVDD – 3 | V | |
| Offset Error | –0.5 | | +0.5 | % FSCR | Measured at midscale code, 0 V, prior to calibration |
| Offset Error Tempco ² | | 5 | | ppm/°C | Standard deviation = 5 ppm/°C |
| Gain Error | –1.5 | | +1.5 | % FSCR | Prior to calibration |
| Gain Error Tempco ² | | –6 | | ppm/°C | Standard deviation = 5 ppm/°C |
| Linearity Error | –0.02 | | +0.02 | % FSCR | |
| Common-Mode Error (Gain = 5) | –0.01 | | +0.01 | % FSCR/V | % of full-scale change per V change in DUT voltage |
| Common-Mode Error (Gain = 10) | –0.006 | | +0.006 | % FSCR/V | % of full-scale change per V change in DUT voltage |
| Force Current Ranges | | | | | Specified current ranges achieved with VREF = 5 V and MI gain = 10, or with VREF = 2.5 V and MI gain = 5 V |
| | | ±5 | | μA | Set using internal sense resistor, 200 kΩ |
| | | ±20 | | μA | Set using internal sense resistor, 50 kΩ |
| | | ±200 | | μA | Set using internal sense resistor, 5 kΩ |
| | | ±2 | | mA | Set using internal sense resistor, 500 Ω |
| | | ±64 | ±80 | mA | Set using external sense resistor, internal amplifier can drive up to ±80 mA with increased compliance |
| MEASURE VOLTAGE | | | | | |
| Measure Voltage Range ² | AVSS + 4 | | AVDD – 4 | V | Gain = 1, measured at 0 V |
| Offset Error | –10 | | +10 | mV | |
| | –25 | | +25 | mV | Gain = 0.2, measured at 0 V |
| Offset Error Tempco ² | | –1 | | μV/°C | Standard deviation = 6 μV/°C |
| Gain Error | –0.25 | | +0.25 | % FSR | MEASOUTx gain = 1 |
| | –0.5 | | +0.5 | % FSR | MEASOUTx gain = 0.2 |
| Gain Error Tempco ² | | 1 | | ppm/°C | Standard deviation = 4 ppm/°C |
| Linearity Error (MEASOUTx Gain = 1) | –0.01 | | +0.01 | % FSR | AVDD = 15.25 V, AVSS = –15.25 V, offset DAC = 0xA492 AVDD = 28 V, AVSS = –5 V, offset DAC = 0x0 AVDD = –10 V, AVSS = –23 V, offset DAC = 0x3640 |
| Linearity Error (MEASOUTx Gain = 0.2) | –0.01 | | +0.01 | % FSR | |
| | –0.06 | | +0.06 | % FSR | |
| | –0.1 | | +0.1 | % FSR | |
| Noise Spectral Density (NSD) ² | | 100 | | nV/√Hz | 1 kHz; measure voltage amplifier only, inputs grounded |
| OFFSET DAC | | | | | |
| Span Error | | ±30 | | mV | |
| COMPARATOR | | | | | |
| Comparator Span | | 22.5 | | V | Measured directly at comparator; does not include measure block errors |
| Offset Error | –2 | +1 | +2 | mV | |
| Offset Error Tempco ² | | 1 | | μV/°C | Standard deviation = 2 μV/°C |
| Propagation Delay ² | | 0.25 | | μs | |
| VOLTAGE CLAMPS | | | | | |
| Clamp Span | | 22.5 | | V | CLL < CLH and minimum voltage apart |
| Positive Clamp Accuracy | | | 155 | mV | |
| Negative Clamp Accuracy | –155 | | | mV | |
| CLL to CLH ² | 500 | | | mV | |
| Recovery Time ² | | 0.5 | 1.5 | μs | |
| Activation Time ² | | 1.5 | 3 | μs | |

| Parameter | Min | Typ ¹ | Max | Unit | Test Conditions/Comments |
|--|------------------------|------------------|-----------------------------|-------------------------|---|
| CURRENT CLAMPS | | | | | |
| Clamp Accuracy | Programmed clamp value | | Programmed clamp value ± 10 | % FSC | MI gain = 10, clamp current scales with selected range |
| | Programmed clamp value | | Programmed clamp value ± 20 | % FSC | MI gain = 5, clamp current scales with selected range |
| CLL to CLH ² | 5 | | | % of I _{RANGE} | CLL < CLH and minimum setting apart, MI gain = 10 |
| | 10 | | | % of I _{RANGE} | CLL < CLH and minimum setting apart, MI gain = 5 |
| Recovery Time ² | | 0.5 | 1.5 | μs | |
| Activation Time ² | | 1.5 | 3 | μs | |
| FOHx, EXTFOHx, EXTMEASILx, EXTMEASIHx, CFFx PINS | | | | | |
| Pin Capacitance ² | | 10 | | pF | |
| Leakage Current | -3 | | +3 | nA | Individual pin on or off switch leakage, measured with ±11 V stress applied to pin, channel enabled, but tristate |
| Leakage Current Tempco ² | | ±0.01 | | nA/°C | |
| MEASVHx PIN | | | | | |
| Pin Capacitance ² | | 3 | | pF | |
| Leakage Current | -3 | | +3 | nA | Measured with ±11 V stress applied to pin, channel enabled, but tristate |
| Leakage Current Tempco ² | | ±0.01 | | nA/°C | |
| SYS_SENSE PIN | | | | | |
| Pin Capacitance ² | | 3 | | pF | SYS_SENSE connected, force amplifier inhibited |
| Switch Impedance | | 1 | 1.3 | kΩ | |
| Leakage Current | -3 | | +3 | nA | Measured with ±11 V stress applied to pin, switch off |
| Leakage Current Tempco ² | | ±0.01 | | nA/°C | |
| SYS_FORCE PIN | | | | | |
| Pin Capacitance ² | | 6 | | pF | SYS_FORCE connected, force amplifier inhibited |
| Switch Impedance | | 60 | 80 | Ω | |
| Leakage Current | -3 | | +3 | nA | Measured with ±11 V stress applied to pin, switch off |
| Leakage Current Tempco ² | | ±0.01 | | nA/°C | |
| COMBINED LEAKAGE AT DUT | | | | | |
| Leakage Current | -15 | | +15 | nA | Includes FOHx, MEASVHx, SYS_SENSE, SYS_FORCE, EXTMEASILx, EXTMEASIHx, EXTFOHx, and CFFx, calculation of all the individual leakage contributors |
| | -25 | | +25 | nA | T _J = 25°C to 70°C |
| Leakage Current Tempco ² | | ±0.1 | | nA/°C | T _J = 25°C to 90°C |
| DUTGNDx PIN | | | | | |
| Voltage Range | -500 | | +500 | mV | |
| Leakage Current | -30 | | +30 | nA | |
| MEASOUTx PIN | | | | | |
| Output Voltage Span | | 22.5 | | V | With respect to AGND |
| Output Impedance | | 60 | 80 | Ω | Software programmable output range |
| Output Leakage Current | -3 | | +3 | nA | With SW12 off |
| Output Capacitance ² | | | 15 | pF | |
| Maximum Load Capacitance ² | | | 0.5 | μF | |
| Output Current Drive ² | | 2 | | mA | |
| Short-Circuit Current | -10 | | +10 | mA | |
| Slew Rate ² | | 2 | | V/μs | |
| Enable Time ² | | 150 | 320 | ns | Closing SW12, measured from $\overline{\text{BUSY}}$ rising edge |
| Disable Time ² | | 400 | 1100 | ns | Opening SW12, measured from $\overline{\text{BUSY}}$ rising edge |
| MI to MV Switching Time ² | | 200 | | ns | Measured from $\overline{\text{BUSY}}$ rising edge, does not include slewing or settling |

| Parameter | Min | Typ ¹ | Max | Unit | Test Conditions/Comments |
|--|-----|------------------|--------|--------|--|
| GUARDx PIN | | | | | |
| Output Voltage Span | | 22.5 | | V | |
| Output Offset | -10 | | +10 | mV | |
| Short-Circuit Current | -15 | | +15 | mA | |
| Maximum Load Capacitance ² | | | 100 | nF | |
| Output Impedance | | 85 | | Ω | |
| Tristate Leakage Current ² | -30 | | +30 | nA | When guard amplifier is disabled |
| Slew Rate ² | | 5 | | V/μs | C _{LOAD} = 10 pF |
| Alarm Activation Time ² | | 200 | | μs | Alarm delayed to eliminate false alarms |
| FORCE AMPLIFIER² | | | | | |
| Slew Rate | | 0.4 | | V/μs | CCOMP _x = 100 pF, CFF _x = 220 pF, C _{LOAD} = 200 pF |
| Gain Bandwidth | | 1.3 | | MHz | CCOMP _x = 100 pF, CFF _x = 220 pF, C _{LOAD} = 200 pF |
| Max Stable Load Capacitance | | | 10,000 | pF | CCOMP _x = 100 pF, larger C _{LOAD} requires larger CCOMP capacitor |
| | | | 100 | nF | CCOMP _x = 1 nF, larger C _{LOAD} requires larger CCOMP capacitor |
| FV SETTLING TIME TO 0.05% OF FS² | | | | | |
| ±80 mA Range | | 22 | 40 | μs | Midscale to full-scale change; measured from SYNC rising edge, clamps on CCOMP _x = 100 pF, CFF _x = 220 pF, C _{LOAD} = 200 pF |
| ±2 mA Range | | 24 | 40 | μs | CCOMP _x = 100 pF, CFF _x = 220 pF, C _{LOAD} = 200 pF |
| ±200 μA Range | | 40 | 80 | μs | CCOMP _x = 100 pF, CFF _x = 220 pF, C _{LOAD} = 200 pF |
| ±20 μA Range | | 300 | | μs | CCOMP _x = 100 pF, CFF _x = 220 pF, C _{LOAD} = 200 pF |
| ±5 μA Range | | 1400 | | μs | CCOMP _x = 100 pF, CFF _x = 220 pF, C _{LOAD} = 200 pF |
| MI SETTLING TIME TO 0.05% OF FS² | | | | | |
| ±80 mA Range | | 22 | 40 | μs | Midscale to full-scale change; driven from force amplifier in FV mode, so includes FV settling time, measured from SYNC rising edge, clamps on CCOMP _x = 100 pF, CFF _x = 220 pF, C _{LOAD} = 200 pF |
| ±2 mA Range | | 24 | 40 | μs | CCOMP _x = 100 pF, CFF _x = 220 pF, C _{LOAD} = 200 pF |
| ±200 μA Range | | 60 | 100 | μs | CCOMP _x = 100 pF, CFF _x = 220 pF, C _{LOAD} = 200 pF |
| ±20 μA Range | | 462 | | μs | CCOMP _x = 100 pF, CFF _x = 220 pF, C _{LOAD} = 200 pF |
| ±5 μA Range | | 1902 | | μs | CCOMP _x = 100 pF, CFF _x = 220 pF, C _{LOAD} = 200 pF |
| FI SETTLING TIME TO 0.05% OF FS² | | | | | |
| ±80 mA Range | | 24 | 55 | μs | Midscale to full-scale change; measured from SYNC rising edge, clamps on CCOMP _x = 100 pF, C _{LOAD} = 200 pF |
| ±2 mA Range | | 24 | 60 | μs | CCOMP _x = 100 pF, C _{LOAD} = 200 pF |
| ±200 μA Range | | 50 | 120 | μs | CCOMP _x = 100 pF, C _{LOAD} = 200 pF |
| ±20 μA Range | | 450 | | μs | CCOMP _x = 100 pF, C _{LOAD} = 200 pF |
| ±5 μA Range | | 2700 | | μs | CCOMP _x = 100 pF, C _{LOAD} = 200 pF |
| MV SETTLING TIME TO 0.05% OF FS² | | | | | |
| ±80 mA Range | | 24 | 55 | μs | Midscale to full-scale change; driven from force amplifier in FV mode, so includes FV settling time, measured from SYNC rising edge, clamps on CCOMP _x = 100 pF, C _{LOAD} = 200 pF |
| ±2 mA Range | | 24 | 60 | μs | CCOMP _x = 100 pF, C _{LOAD} = 200 pF |
| ±200 μA Range | | 50 | 120 | μs | CCOMP _x = 100 pF, C _{LOAD} = 200 pF |
| ±20 μA Range | | 450 | | μs | CCOMP _x = 100 pF, C _{LOAD} = 200 pF |
| ±5 μA Range | | 2700 | | μs | CCOMP _x = 100 pF, C _{LOAD} = 200 pF |
| DAC SPECIFICATIONS | | | | | |
| Resolution | | | 16 | Bits | |
| Output Voltage Span ² | | 22.5 | | V | VREF = 5 V, within a range of -16.25 V to +22.5 V |
| Differential Nonlinearity ² | -1 | | +1 | LSB | Guaranteed monotonic by design over temperature |
| COMPARATOR DAC DYNAMIC SPECIFICATIONS² | | | | | |
| Output Voltage Settling Time | | 1 | | μs | 500 mV change to ±½ LSB |
| Slew Rate | | 5.5 | | V/μs | |
| Digital-to-Analog Glitch Energy | | 20 | | nV-sec | |
| Glitch Impulse Peak Amplitude | | 10 | | mV | |
| REFERENCE INPUT | | | | | |
| VREF DC Input Impedance | 1 | 100 | | MΩ | |
| VREF Input Current | -10 | +0.03 | +10 | μA | |
| VREF Range ² | 2 | | 5 | V | |

| Parameter | Min | Typ ¹ | Max | Unit | Test Conditions/Comments |
|---|------------|------------------|---------|-------|---|
| DIE TEMPERATURE SENSOR | | | | | |
| Accuracy ² | | ±7 | | °C | |
| Output Voltage at 25°C | | 1.5 | | V | |
| Output Scale Factor ² | | 4.6 | | mV/°C | |
| Output Voltage Range ² | 0 | | 3 | V | |
| INTERACTION AND CROSSTALK² | | | | | |
| DC Crosstalk (FOHx) | | 0.05 | 0.65 | mV | DC change resulting from a dc change in any DAC in the device, FV and FI modes, ±2 mA range, C _{LOAD} = 200 pF, R _{LOAD} = 5.6 kΩ |
| DC Crosstalk (MEASOUTx) | | 0.05 | 0.65 | mV | DC change resulting from a dc change in any DAC in the device, MV and MI modes, ±2 mA range, C _{LOAD} = 200 pF, R _{LOAD} = 5.6 kΩ |
| DC Crosstalk Within a Channel | | 0.05 | | mV | All channels in FVMI mode, one channel at midscale, measure the current for one channel in the lowest current range for a change in comparator or clamp DAC levels for that PMU |
| SPI INTERFACE LOGIC INPUTS | | | | | |
| Input High Voltage, V _{IH} | 1.7/2.0 | | | V | (2.3 V to 2.7 V)/(2.7 V to 5.25 V), JEDEC-compliant input levels |
| Input Low Voltage, V _{IL} | | | 0.7/0.8 | V | (2.3 V to 2.7 V)/(2.7 V to 5.25 V), JEDEC-compliant input levels |
| Input Current, I _{INH} , I _{INL} | -1 | | +1 | μA | |
| Input Capacitance, C _{IN} ² | | | 10 | pF | |
| CMOS LOGIC OUTPUTS | | | | | |
| Output High Voltage, V _{OH} | DVCC - 0.4 | | | V | SDO, CPOx |
| Output Low Voltage, V _{OL} | | | 0.4 | V | I _{OL} = 500 μA |
| Tristate Leakage Current | -2 | | +2 | μA | SDO, CPOH1/ $\overline{\text{SDO}}$ |
| Output Capacitance ² | -1 | | +1 | μA | All other output pins |
| | | | 10 | pF | |
| OPEN-DRAIN LOGIC OUTPUTS | | | | | |
| Output Low Voltage, V _{OL} | | | 0.4 | V | BUSY, TMPALM, CGALM |
| Output Capacitance ² | | | 10 | pF | I _{OL} = 500 μA, C _{LOAD} = 50 pF, R _{PULLUP} = 1 kΩ |
| LVDS INTERFACE LOGIC INPUTS REDUCED RANGE LINK² | | | | | |
| Input Voltage Range | 875 | | 1575 | mV | |
| Input Differential Threshold | -100 | | +100 | mV | |
| External Termination Resistance | 80 | 100 | 120 | Ω | |
| Differential Input Voltage | 100 | | | mV | |
| LVDS INTERFACE LOGIC OUTPUTS REDUCED RANGE LINK | | | | | |
| Output Offset Voltage | | 1200 | | mV | |
| Output Differential Voltage | | 400 | | mV | |
| POWER SUPPLIES | | | | | |
| AVDD | 10 | | 28 | V | AVDD - AVSS ≤ 33 V |
| AVSS | -23 | | -5 | V | |
| DVCC | 2.3 | | 5.25 | V | |
| A _{IDD} | | | 26 | mA | Internal ranges (±5 μA to ±2 mA), excluding load conditions; comparators and guard disabled |
| A _{ISS} | -26 | | | mA | Internal ranges (±5 μA to ±2 mA), excluding load conditions; comparators and guard disabled |
| A _{IDD} | | | 28 | mA | Internal ranges (±5 μA to ±2 mA), excluding load conditions; comparators and guard enabled |
| A _{ISS} | -28 | | | mA | Internal ranges (±5 μA to ±2 mA), excluding load conditions; comparators and guard enabled |
| A _{IDD} | | | 36 | mA | External range, excluding load conditions |
| A _{ISS} | -36 | | | mA | External range, excluding load conditions |
| DI _{CC} | | | 1.5 | mA | |
| Maximum Power Dissipation ² | | | 7 | W | Maximum power that should be dissipated in this package under worst-case load conditions; careful consideration should be given to supply selection and thermal design |

| Parameter | Min | Typ ¹ | Max | Unit | Test Conditions/Comments |
|---------------------------------------|-----|------------------|-----|------|--------------------------|
| Power Supply Sensitivity ² | | | | | From dc to 1 kHz |
| ΔForced Voltage/ΔAVDD | | -80 | | dB | |
| ΔForced Voltage/ΔAVSS | | -80 | | dB | |
| ΔMeasured Current/ΔAVDD | | -85 | | dB | |
| ΔMeasured Current/ΔAVSS | | -75 | | dB | |
| ΔForced Current/ΔAVDD | | -75 | | dB | |
| ΔForced Current/ΔAVSS | | -75 | | dB | |
| ΔMeasured Voltage/ΔAVDD | | -85 | | dB | |
| ΔMeasured Voltage/ΔAVSS | | -80 | | dB | |
| ΔForced Voltage/ΔDVCC | | -90 | | dB | |
| ΔMeasured Current/ΔDVCC | | -90 | | dB | |
| ΔForced Current/ΔDVCC | | -90 | | dB | |
| ΔMeasured Voltage/ΔDVCC | | -90 | | dB | |

¹ Typical specifications are at 25°C and nominal supply, ±15.25 V, unless otherwise noted.

² Guaranteed by design and characterization; not production tested. Tempco values are mean and standard deviation, unless otherwise noted.

TIMING CHARACTERISTICS

AVDD ≥ 10 V, AVSS ≤ -5 V, |AVDD - AVSS| ≥ 20 V and ≤ 33 V, DVCC = 2.3 V to 5.25 V, VREF = 5 V, T_J = 25°C to 90°C, unless otherwise noted.

Table 2. SPI Interface

| Parameter ^{1,2,3} | DVCC, Limit at T _{MIN} , T _{MAX} | | | Unit | Description |
|---------------------------------|--|--------------|---------------|--------|---|
| | 2.3V to 2.7V | 2.7V to 3.6V | 4.5V to 5.25V | | |
| t _{WRITE} ⁴ | 1030 | 735 | 735 | ns min | Single channel update cycle time (X1 register write) |
| | 950 | 655 | 655 | ns min | Single channel update cycle time (any other register write) |
| t ₁ | 30 | 20 | 20 | ns min | SCLK cycle time |
| t ₂ | 8 | 8 | 8 | ns min | SCLK high time |
| t ₃ | 8 | 8 | 8 | ns min | SCLK low time |
| t ₄ | 10 | 10 | 10 | ns min | $\overline{\text{SYNC}}$ falling edge to SCLK falling edge setup time |
| t ₅ ⁴ | 150 | 150 | 150 | ns min | Minimum $\overline{\text{SYNC}}$ high time in write mode after X1 register write (one channel) |
| | 70 | 70 | 70 | ns min | Minimum $\overline{\text{SYNC}}$ high time in write mode after any other register write |
| t ₆ | 10 | 5 | 5 | ns min | 29 th SCLK falling edge to $\overline{\text{SYNC}}$ rising edge |
| t ₇ | 5 | 5 | 5 | ns min | Data setup time |
| t ₈ | 9 | 7 | 4.5 | ns min | Data hold time |
| t ₉ | 120 | 75 | 55 | ns max | $\overline{\text{SYNC}}$ rising edge to $\overline{\text{BUSY}}$ falling edge |
| t ₁₀ | | | | | $\overline{\text{BUSY}}$ pulse width low for X1 and some PMU register writes; see Table 17 and Table 18 |
| 1 DAC X1 | 1.65 | 1.65 | 1.65 | μs max | |
| 2 DAC X1 | 2.3 | 2.3 | 2.3 | μs max | |
| 3 DAC X1 | 2.95 | 2.95 | 2.95 | μs max | |
| 4 DAC X1 | 3.6 | 3.6 | 3.6 | μs max | |
| Other Registers | 270 | 270 | 270 | ns max | System control register/PMU registers |
| t ₁₁ | 20 | 20 | 20 | ns min | 29 th SCLK falling edge to $\overline{\text{LOAD}}$ falling edge |
| t ₁₂ | 20 | 20 | 20 | ns min | $\overline{\text{LOAD}}$ pulse width low |
| t ₁₃ | 150 | 150 | 150 | ns min | $\overline{\text{BUSY}}$ rising edge to FOHx output response time |
| t ₁₄ | 0 | 0 | 0 | ns min | $\overline{\text{BUSY}}$ rising edge to $\overline{\text{LOAD}}$ falling edge |
| t ₁₅ | 100 | 100 | 100 | ns max | $\overline{\text{LOAD}}$ falling edge to FOHx output response time |
| t _{16A} | 4.0 | 4.0 | 4.0 | μs min | $\overline{\text{RESET}}$ pulse width low min |
| t _{16B} | 4.0 | 4.0 | 4.0 | μs max | $\overline{\text{RESET}}$ low to $\overline{\text{BUSY}}$ low max |
| t ₁₇ | 750 | 750 | 750 | μs max | $\overline{\text{RESET}}$ time indicated by $\overline{\text{BUSY}}$ low |

| Parameter ^{1,2,3} | DVCC, Limit at T _{MIN} , T _{MAX} | | | Unit | Description |
|--------------------------------|--|----------------|-----------------|--------|---|
| | 2.3 V to 2.7 V | 2.7 V to 3.6 V | 4.5 V to 5.25 V | | |
| t ₁₈ | 400 | 400 | 400 | ns min | Minimum SYNC high time in readback mode |
| t ₁₉ ^{5,6} | 60 | 45 | 25 | ns max | SCLK rising edge to SDO valid; DVCC = 5 V to 5.25 V |

¹ Guaranteed by design and characterization; not production tested.

² All input signals are specified with t_{tr} = t_{tf} = 2 ns (10% to 90% of DVCC) and timed from a voltage level of 1.2 V.

³ See Figure 5 and Figure 6.

⁴ Writes to more than one X1 register engages the calibration engine for longer times, shown by the $\overline{\text{BUSY}}$ low time, t₁₀. Subsequent writes to one or more X1 registers should either be timed or should wait until $\overline{\text{BUSY}}$ returns high (see Figure 56). This is required to ensure that data is not lost or overwritten.

⁵ t₁₉ is measured with the load circuit shown in Figure 4.

⁶ SDO output slows with lower DVCC supply and may require use of a slower SCLK.

Table 3. LVDS Interface

| Parameter ^{1,2,3} | DVCC, Limit at T _{MIN} , T _{MAX} | | Unit | Description |
|-----------------------------|--|-----------------|--------|---|
| | 2.7 V to 3.6 V | 4.5 V to 5.25 V | | |
| t ₁ | 20 | 12 | ns min | SCLK cycle time |
| t ₂ | 8 | 5 | ns min | SCLK pulse width high and low time |
| t ₃ | 3 | 3 | ns min | SYNC to SCLK setup time |
| t ₄ | 3 | 3 | ns min | Data setup time |
| t ₅ | 5 | 3 | ns min | Data hold time |
| t ₆ | 3 | 3 | ns min | SCLK to SYNC hold time |
| t ₇ ⁴ | 45 | 25 | ns min | SCLK rising edge to SDO valid |
| t ₈ | 150 | 150 | ns min | Minimum SYNC high time in write mode after X1 register write |
| | 70 | 70 | ns min | Minimum SYNC high time in write mode after any other register write |
| | 400 | 400 | ns min | Minimum SYNC high time in readback mode |

¹ Guaranteed by design and characterization; not production tested.

² All input signals are specified with t_{tr} = t_{tf} = 2 ns (10% to 90% of DVCC) and timed from a voltage level of 1.2 V.

³ See Figure 7.

⁴ SDO output slows with lower DVCC supply and may require use of slower SCLK.

Circuit and Timing Diagrams

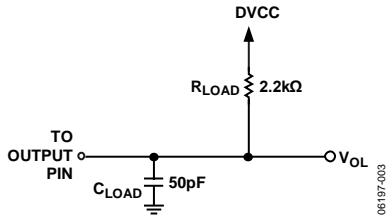


Figure 3. Load Circuit for \overline{CGALM} , \overline{TMPALM}

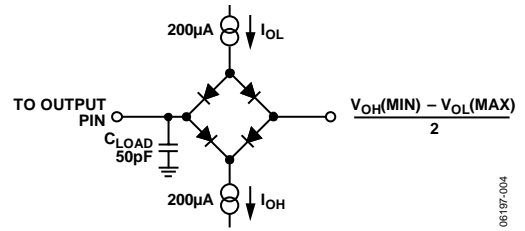
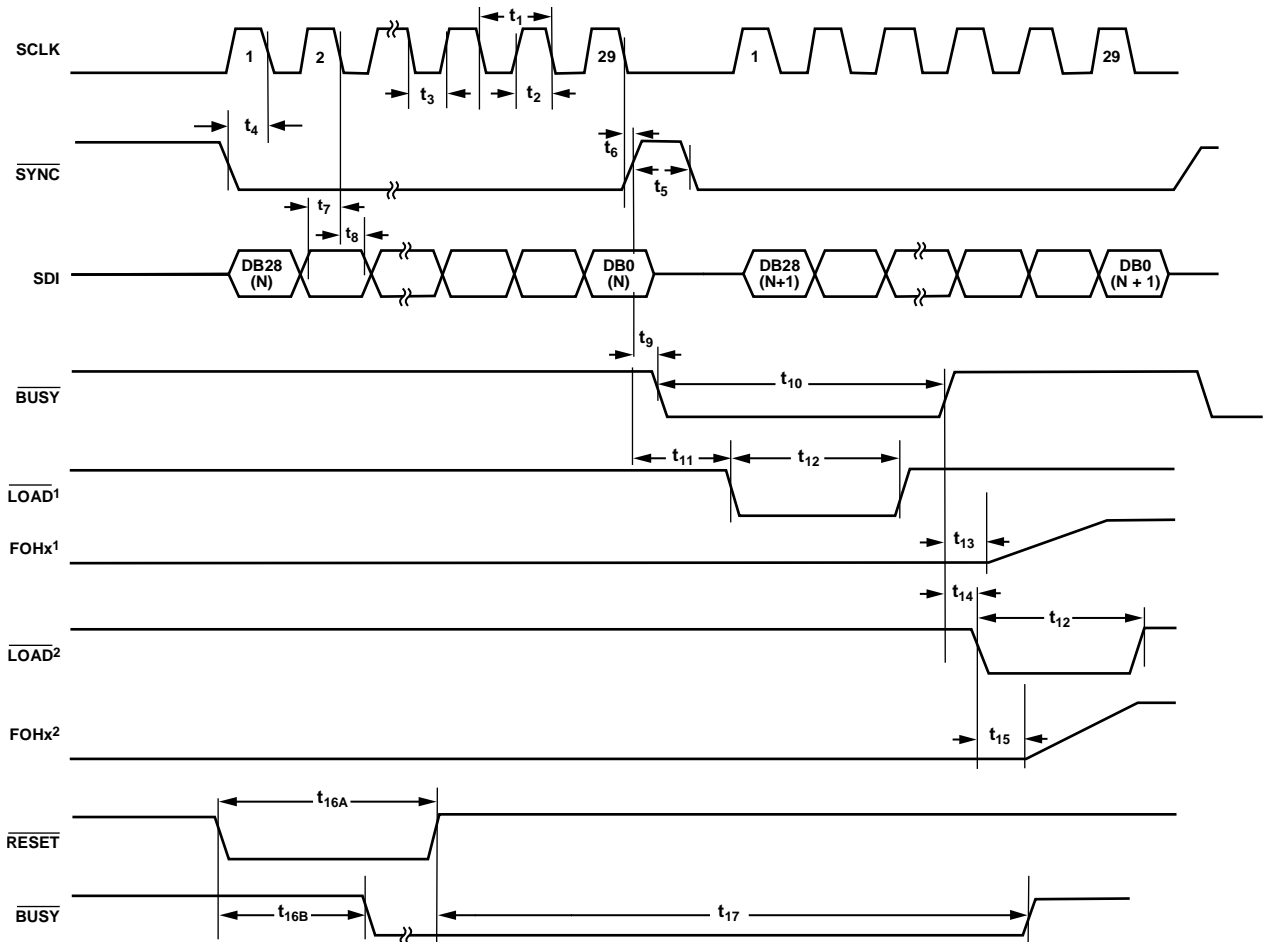


Figure 4. Load Circuit for SDO, \overline{BUSY} Timing Diagram



¹LOAD ACTIVE DURING \overline{BUSY} .
²LOAD ACTIVE AFTER \overline{BUSY} .

Figure 5. SPI Write Timing (Write Word Contains 29 Bits)

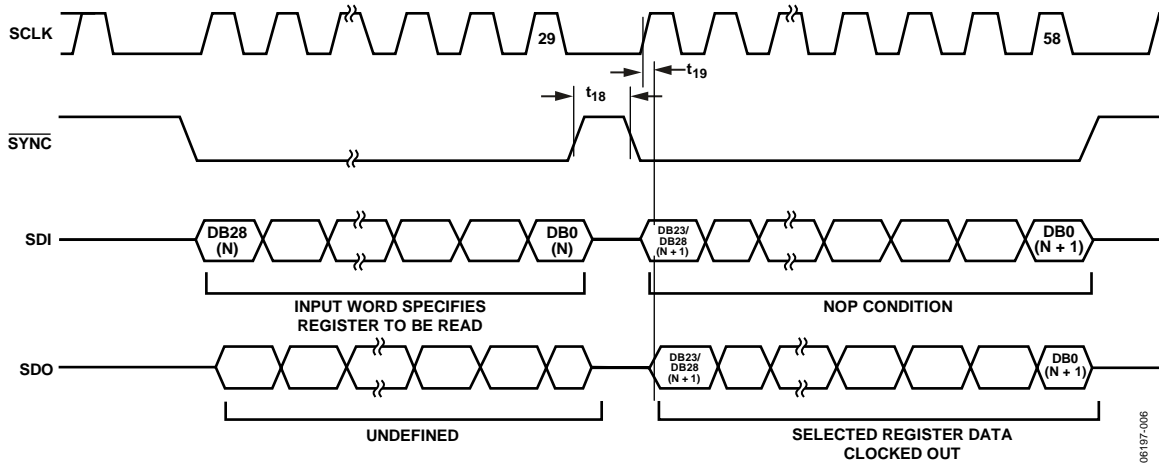


Figure 6. SPI Read Timing (Readback Word Contains 24 Bits and Can Be Clocked Out with a Minimum of 24 Clock Edges)

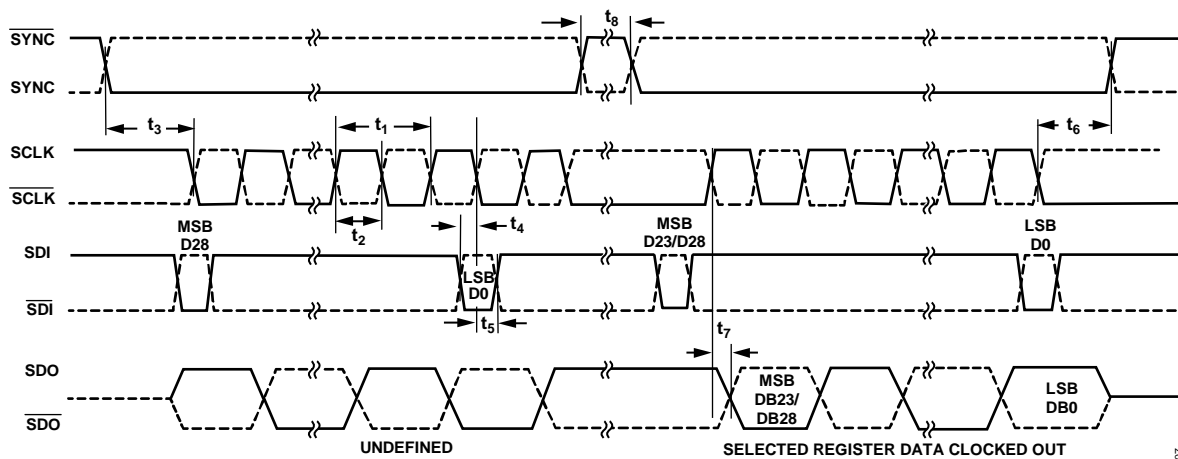


Figure 7. LVDS Read and Write Timing (Readback Word Contains 24 Bits and Can Be Clocked Out with a Minimum of 24 Clock Edges)

ABSOLUTE MAXIMUM RATINGS

Table 4.

| Parameter | Rating |
|--|------------------------------|
| Supply Voltage, AVDD to AVSS | 34 V |
| AVDD to AGND | -0.3 V to +34 V |
| AVSS to AGND | +0.3 V to -34 V |
| VREF to AGND | -0.3 V to +7 V |
| DUTGND to AGND | AVDD + 0.3 V to AVSS - 0.3 V |
| REFGND to AGND | AVDD + 0.3 V to AVSS - 0.3 V |
| DVCC to DGND | -0.3 V to +7 V |
| AGND to DGND | -0.3 V to +0.3 V |
| Digital Inputs to DGND | -0.3 V to DVCC + 0.3 V |
| Analog Inputs to AGND | AVSS - 0.3 V to AVDD + 0.3 V |
| Storage Temperature Range | -65°C to +125°C |
| Operating Junction Temperature Range (J Version) | 25°C to 90°C |
| Reflow Soldering | JEDEC Standard (J-STD-020) |
| Junction Temperature | 150°C max |

Stresses at or above those listed under Absolute Maximum Ratings may cause permanent damage to the product. This is a stress rating only; functional operation of the product at these or any other conditions above those indicated in the operational section of this specification is not implied. Operation beyond the maximum operating conditions for extended periods may affect product reliability.

THERMAL RESISTANCE

Thermal resistance values are specified for the worst-case conditions, that is, a device soldered in a circuit board for surface-mount packages.

Table 5. Thermal Resistance¹ (JEDEC 4-Layer (1S2P) Board)

| Package Type | Airflow (LFPM) | θ_{JA} | θ_{JC} | Unit |
|---|---|------------------|---------------|------|
| TQFP Exposed Pad on Bottom No Heat Sink ² | 0 | 22.3 | 4.8 | °C/W |
| | 200 | 17.2 | | °C/W |
| | 500 | 15.1 | | °C/W |
| | With Cooling Plate at 45°C ³ | N/A ⁴ | 5.4 | 4.8 |
| TQFP Exposed Pad on Top No Heat Sink ² | 0 | 42.4 | 2 | °C/W |
| | 200 | 37.2 | | °C/W |
| | 500 | 35.7 | | °C/W |
| | With Cooling Plate at 45°C ³ | N/A ⁴ | 3.0 | 2 |

¹ The information in this section is based on simulated thermal information.

² These values apply to the package with no heat sink attached. The actual thermal performance of the package depends on the attached heat sink and environmental conditions.

³ Natural convection at 55°C ambient. Assumes perfect thermal contact between the cooling plate and the exposed paddle.

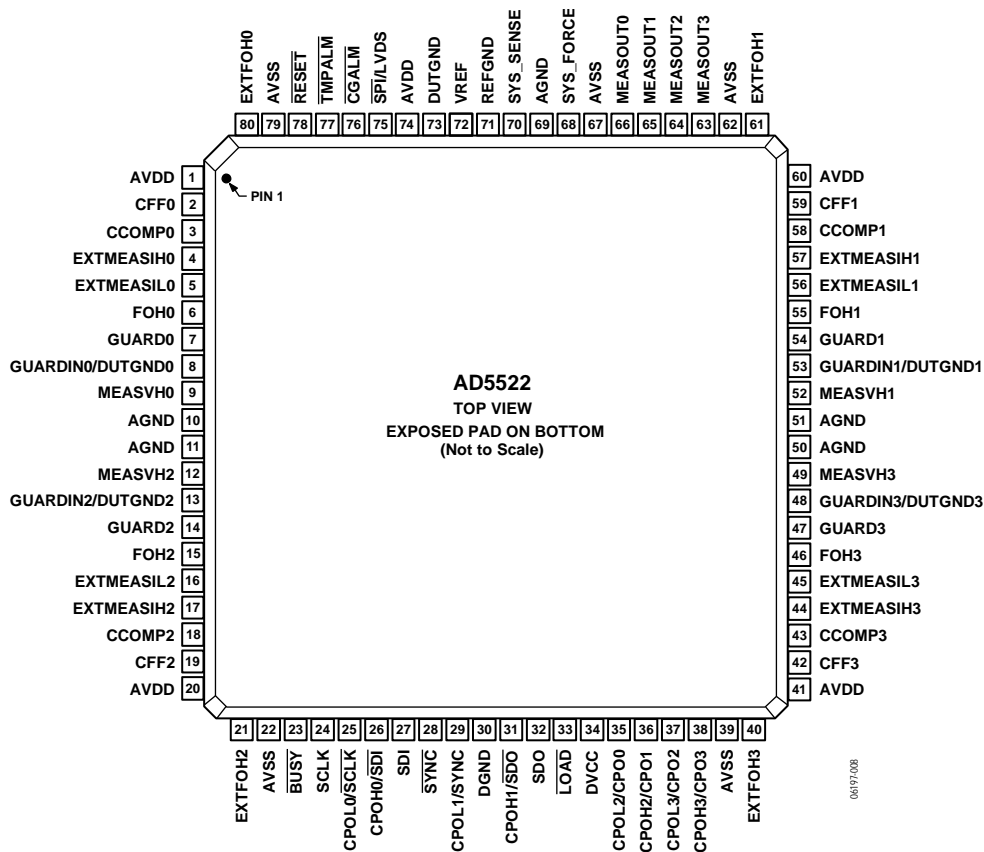
⁴ N/A means not applicable.

ESD CAUTION



ESD (electrostatic discharge) sensitive device. Charged devices and circuit boards can discharge without detection. Although this product features patented or proprietary protection circuitry, damage may occur on devices subjected to high energy ESD. Therefore, proper ESD precautions should be taken to avoid performance degradation or loss of functionality.

PIN CONFIGURATIONS AND FUNCTION DESCRIPTIONS



NOTES
1. THE EXPOSED PAD IS INTERNALLY ELECTRICALLY CONNECTED TO AVSS. FOR ENHANCED THERMAL, ELECTRICAL, AND BOARD LEVEL PERFORMANCE, THE EXPOSED PADDLE ON THE BOTTOM OF THE PACKAGE SHOULD BE SOLDERED TO A CORRESPONDING THERMAL LAND PADDLE ON THE PCB.

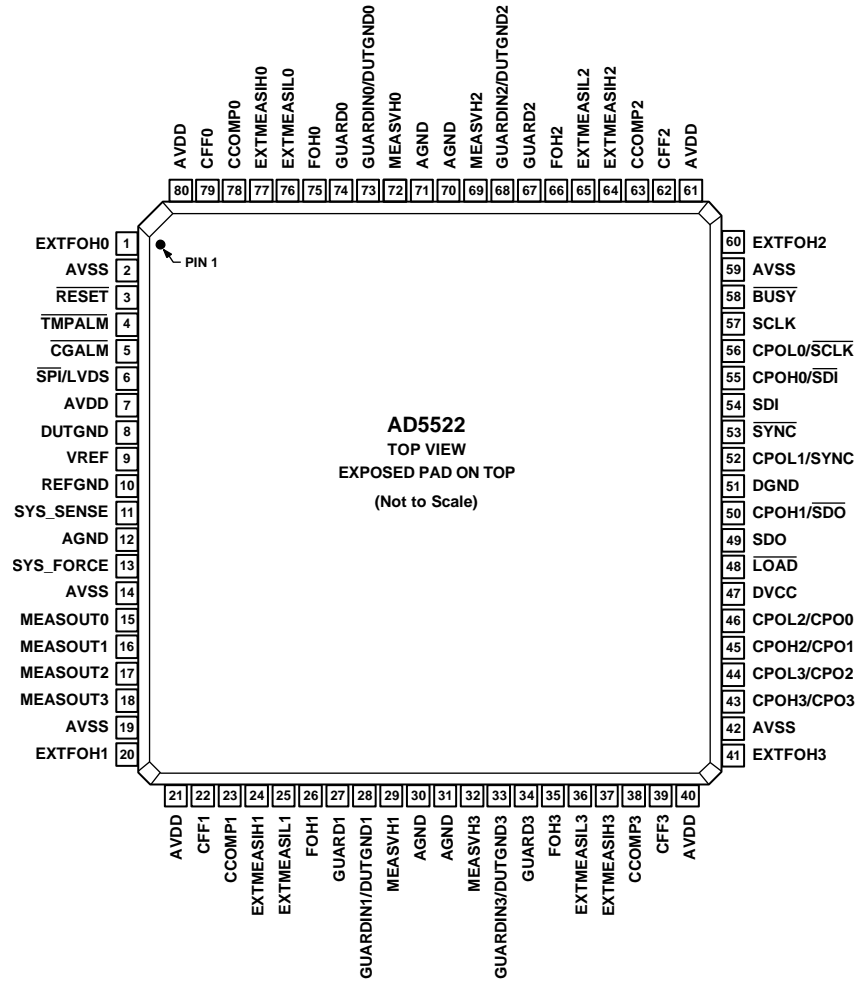
Figure 8. Pin Configuration, Exposed Pad on Bottom

Table 6. Pin Function Descriptions

| Pin No. | Mnemonic | Description |
|--------------------|----------------------|---|
| | Exposed pad | The exposed pad is internally electrically connected to AVSS. For enhanced thermal, electrical, and board level performance, the exposed paddle on the bottom of the package should be soldered to a corresponding thermal land paddle on the PCB. |
| 1, 20, 41, 60, 74 | AVDD | Positive Analog Supply Voltage. |
| 2 | CFF0 | External Capacitor for Channel 0. This pin optimizes the stability and settling time performance of the force amplifier when in force voltage mode. See the Compensation Capacitors section. |
| 3 | CCOMP0 | Compensation Capacitor Input for Channel 0. See the Compensation Capacitors section. |
| 4 | EXTMEASIH0 | Sense Input (High Sense) for High Current Range (Channel 0). |
| 5 | EXTMEASIL0 | Sense Input (Low Sense) for High Current Range (Channel 0). |
| 6 | FOH0 | Force Output for Internal Current Ranges (Channel 0). |
| 7 | GUARD0 | Guard Output Drive for Channel 0. |
| 8 | GUARDIN0/ DUTGND0 | Guard Amplifier Input for Channel 0/DUTGND Input for Channel 0. This dual function pin is configured via the serial interface. The default function at power-on is GUARDIN0. If this pin is configured as a DUTGND input for the channel, the input to the guard amplifier is internally connected to MEASVH0. For more information, see the Device Under Test Ground (DUTGND) section and the Guard Amplifier section. |
| 9 | MEASVH0 | DUT Voltage Sense Input (High Sense) for Channel 0. |
| 10, 11, 50, 51, 69 | AGND | Analog Ground. These pins are the reference points for the analog supplies and the measure circuitry. |
| 12 | MEASVH2 | DUT Voltage Sense Input (High Sense) for Channel 2. |

| Pin No. | Mnemonic | Description |
|-----------------------|---------------------------------|---|
| 13 | GUARDIN2/ DUTGND2 | Guard Amplifier Input for Channel 2/DUTGND Input for Channel 2. This dual function pin is configured via the serial interface. The default function at power-on is GUARDIN2. If this pin is configured as a DUTGND input for the channel, the input to the guard amplifier is internally connected to MEASVH2. For more information, see the Device Under Test Ground (DUTGND) section and the Guard Amplifier section. |
| 14 | GUARD2 | Guard Output Drive for Channel 2. |
| 15 | FOH2 | Force Output for Internal Current Ranges (Channel 2). |
| 16 | EXTMEASIL2 | Sense Input (Low Sense) for High Current Range (Channel 2). |
| 17 | EXTMEASIH2 | Sense Input (High Sense) for High Current Range (Channel 2). |
| 18 | CCOMP2 | Compensation Capacitor Input for Channel 2. See the Compensation Capacitors section. |
| 19 | CFF2 | External Capacitor for Channel 2. This pin optimizes the stability and settling time performance of the force amplifier when in force voltage mode. See the Compensation Capacitors section. |
| 21 | EXTFOH2 | Force Output for High Current Range (Channel 2). Use an external resistor at this pin for current ranges up to ± 80 mA. For more information, see the Current Range Selection section. |
| 22, 39, 62, 67, 79 | AVSS | Negative Analog Supply Voltage. |
| 23 | $\overline{\text{BUSY}}$ | Digital Input/Open-Drain Output. This pin indicates the status of the interface. See the $\overline{\text{BUSY}}$ and $\overline{\text{LOAD}}$ Functions section for more information. |
| 24 | SCLK | Serial Clock Input, Active Falling Edge. Data is clocked into the shift register on the falling edge of SCLK. This pin operates at clock speeds up to 50 MHz. |
| 25 | CPOL0/ $\overline{\text{SCLK}}$ | Comparator Output Low (Channel 0) for SPI Interface/Differential Serial Clock Input (Complement) for LVDS Interface. |
| 26 | CPOH0/ $\overline{\text{SDI}}$ | Comparator Output High (Channel 0) for SPI Interface/Differential Serial Data Input (Complement) for LVDS Interface. |
| 27 | SDI | Serial Data Input for SPI or LVDS Interface. |
| 28 | $\overline{\text{SYNC}}$ | Active Low Frame Synchronization Input for SPI or LVDS Interface. |
| 29 | CPOL1/ $\overline{\text{SYNC}}$ | Comparator Output Low (Channel 1) for SPI Interface/Differential SYNC Input for LVDS Interface. |
| 30 | DGND | Digital Ground Reference Point. |
| 31 | CPOH1/ $\overline{\text{SDO}}$ | Comparator Output High (Channel 1) for SPI Interface/Differential Serial Data Output (Complement) for LVDS Interface. |
| 32 | SDO | Serial Data Output for SPI or LVDS Interface. This pin can be used for data readback and diagnostic purposes. |
| 33 | $\overline{\text{LOAD}}$ | Logic Input (Active Low). This pin synchronizes updates within one device or across a group of devices. If synchronization is not required, $\overline{\text{LOAD}}$ can be tied low; in this case, DAC channels and PMU modes are updated immediately after $\overline{\text{BUSY}}$ goes high. See the $\overline{\text{BUSY}}$ and $\overline{\text{LOAD}}$ Functions section for more information. |
| 34 | DVCC | Digital Supply Voltage. |
| 35 | CPOL2/CPO0 | Comparator Output Low (Channel 2) for SPI Interface/Comparator Output Window (Channel 0) for LVDS Interface. |
| 36 | CPOH2/CPO1 | Comparator Output High (Channel 2) for SPI Interface/Comparator Output Window (Channel 1) for LVDS Interface. |
| 37 | CPOL3/CPO2 | Comparator Output Low (Channel 3) for SPI Interface/Comparator Output Window (Channel 2) for LVDS Interface. |
| 38 | CPOH3/CPO3 | Comparator Output High (Channel 3) for SPI Interface/Comparator Output Window (Channel 3) for LVDS Interface. |
| 40 | EXTFOH3 | Force Output for High Current Range (Channel 3). Use an external resistor at this pin for current ranges up to ± 80 mA. For more information, see the Current Range Selection section. |
| 42 | CFF3 | External Capacitor for Channel 3. This pin optimizes the stability and settling time performance of the force amplifier when in force voltage mode. See the Compensation Capacitors section. |
| 43 | CCOMP3 | Compensation Capacitor Input for Channel 3. See the Compensation Capacitors section. |
| 44 | EXTMEASIH3 | Sense Input (High Sense) for High Current Range (Channel 3). |
| 45 | EXTMEASIL3 | Sense Input (Low Sense) for High Current Range (Channel 3). |
| 46 | FOH3 | Force Output for Internal Current Ranges (Channel 3). |
| 47 | GUARD3 | Guard Output Drive for Channel 3. |
| 48 | GUARDIN3/ DUTGND3 | Guard Amplifier Input for Channel 3/DUTGND Input for Channel 3. This dual function pin is configured via the serial interface. The default function at power-on is GUARDIN3. If this pin is configured as a DUTGND input for the channel, the input to the guard amplifier is internally connected to MEASVH3. For more information, see the Device Under Test Ground (DUTGND) section and the Guard Amplifier section. |

| Pin No. | Mnemonic | Description |
|---------|------------------------------|---|
| 49 | MEASVH3 | DUT Voltage Sense Input (High Sense) for Channel 3. |
| 52 | MEASVH1 | DUT Voltage Sense Input (High Sense) for Channel 1. |
| 53 | GUARDIN1/ DUTGND1 | Guard Amplifier Input for Channel 1/DUTGND Input for Channel 1. This dual function pin is configured via the serial interface. The default function at power-on is GUARDIN1. If this pin is configured as a DUTGND input for the channel, the input to the guard amplifier is internally connected to MEASVH1. For more information, see the Device Under Test Ground (DUTGND) section and the Guard Amplifier section. |
| 54 | GUARD1 | Guard Output Drive for Channel 1. |
| 55 | FOH1 | Force Output for Internal Current Ranges (Channel 1). |
| 56 | EXTMEASIL1 | Sense Input (Low Sense) for High Current Range (Channel 1). |
| 57 | EXTMEASIH1 | Sense Input (High Sense) for High Current Range (Channel 1). |
| 58 | CCOMP1 | Compensation Capacitor Input for Channel 1. See the Compensation Capacitors section. |
| 59 | CFF1 | External Capacitor for Channel 1. This pin optimizes the stability and settling time performance of the force amplifier when in force voltage mode. See the Compensation Capacitors section. |
| 61 | EXTFOH1 | Force Output for High Current Range (Channel 1). Use an external resistor at this pin for current ranges up to ± 80 mA. For more information, see the Current Range Selection section. |
| 63 | MEASOUT3 | Multiplexed DUT Voltage, Current Sense Output, Temperature Sensor Voltage for Channel 3. This pin is referenced to AGND. |
| 64 | MEASOUT2 | Multiplexed DUT Voltage, Current Sense Output, Temperature Sensor Voltage for Channel 2. This pin is referenced to AGND. |
| 65 | MEASOUT1 | Multiplexed DUT Voltage, Current Sense Output, Temperature Sensor Voltage for Channel 1. This pin is referenced to AGND. |
| 66 | MEASOUT0 | Multiplexed DUT Voltage, Current Sense Output, Temperature Sensor Voltage for Channel 0. This pin is referenced to AGND. |
| 68 | SYS_FORCE | External Force Signal Input. This pin enables the connection of the system PMU. |
| 70 | SYS_SENSE | External Sense Signal Output. This pin enables the connection of the system PMU. |
| 71 | REFGND | Accurate Analog Reference Input Ground. |
| 72 | VREF | Reference Input for DAC Channels (5 V for specified performance). |
| 73 | DUTGND | DUT Voltage Sense Input (Low Sense). By default, this input is shared among all four PMU channels. If a DUTGND input is required for each channel, the user can configure the GUARDINx/DUTGNDx pins as DUTGND inputs for each PMU channel. |
| 75 | $\overline{\text{SPI/LVDS}}$ | Interface Select Pin. Logic low selects SPI-compatible interface mode; logic high selects LVDS interface mode. This pin has a pull-down current source ($\sim 350 \mu\text{A}$). In LVDS interface mode, the CPOHx and CPOLx pins default to differential interface pins. |
| 76 | $\overline{\text{CGALM}}$ | Open-Drain Output for Guard and Clamp Alarms. This open-drain pin provides shared alarm information about the guard amplifier and clamp circuitry. By default, this output pin is disabled. The system control register allows the user to enable this function and to set the open-drain output as a latched output. The user can also choose to enable alarms for the guard amplifier, the clamp circuitry, or both. When this pin flags an alarm, the origins of the alarm can be determined by reading back the alarm status register. Two flags per channel in this word (one latched, one unlatched) indicate which function caused the alarm and whether the alarm is still present. |
| 77 | $\overline{\text{TMPALM}}$ | Open-Drain Output for Temperature Alarm. This latched, active low, open-drain output flags a temperature alarm to indicate that the junction temperature has exceeded the default temperature setting (130°C) or the user programmed temperature setting. Two flags in the alarm status register (one latched, one unlatched) indicate whether the temperature has dropped below 130°C or remains above 130°C . User action is required to clear this latched alarm flag by writing to the clear bit (Bit 6) in any of the PMU registers. |
| 78 | $\overline{\text{RESET}}$ | Digital Reset Input. This active low, level sensitive input resets all internal nodes on the device to their power-on reset values. |
| 80 | EXTFOH0 | Force Output for High Current Range (Channel 0). Use an external resistor at this pin for current ranges up to ± 80 mA. For more information, see the Current Range Selection section. |



NOTES
 1. THE EXPOSED PAD IS ELECTRICALLY CONNECTED TO AVSS.

Figure 9. Pin Configuration, Exposed Pad on Top

Table 7. Pin Function Descriptions

| Pin No. | Mnemonic | Description |
|----------------------|------------------------|---|
| 1 | Exposed pad EXTFOH0 | The exposed pad is electrically connected to AVSS. Force Output for High Current Range (Channel 0). Use an external resistor at this pin for current ranges up to ± 80 mA. For more information, see the Current Range Selection section. |
| 2, 14, 19, 42, 59 | AVSS | Negative Analog Supply Voltage. |
| 3 | RESET | Digital Reset Input. This active low, level sensitive input resets all internal nodes on the device to their power-on reset values. |
| 4 | TMPALM | Open-Drain Output for Temperature Alarm. This latched, active low, open-drain output flags a temperature alarm to indicate that the junction temperature has exceeded the default temperature setting (130°C) or the user programmed temperature setting. Two flags in the alarm status register (one latched, one unlatched) indicate whether the temperature has dropped below 130°C or remains above 130°C. User action is required to clear this latched alarm flag by writing to the clear bit (Bit 6) in any of the PMU registers. |
| 5 | CGALM | Open-Drain Output for Guard and Clamp Alarms. This open-drain pin provides shared alarm information about the guard amplifier and clamp circuitry. By default, this output pin is disabled. The system control register allows the user to enable this function and to set the open-drain output as a latched output. The user can also choose to enable alarms for the guard amplifier, the clamp circuitry, or both. When this pin flags an alarm, the origins of the alarm can be determined by reading back the alarm status register. Two flags per channel in this word (one latched, one unlatched) indicate which function caused the alarm and whether the alarm is still present. |

| Pin No. | Mnemonic | Description |
|-----------------------|----------------------|---|
| 6 | SPI/LVDS | Interface Select Pin. Logic low selects SPI-compatible interface mode; logic high selects LVDS interface mode. This pin has a pull-down current source (~350 μ A). In LVDS interface mode, the CPOHx and CPOLx pins default to differential interface pins. |
| 7, 21, 40, 61, 80 | AVDD | Positive Analog Supply Voltage. |
| 8 | DUTGND | DUT Voltage Sense Input (Low Sense). By default, this input is shared among all four PMU channels. If a DUTGND input is required for each channel, the user can configure the GUARDINx/DUTGNDx pins as DUTGND inputs for each PMU channel. |
| 9 | VREF | Reference Input for DAC Channels. 5 V for specified performance. |
| 10 | REFGND | Accurate Analog Reference Input Ground. |
| 11 | SYS_SENSE | External Sense Signal Output. This pin enables the connection of the system PMU. |
| 12, 30, 31, 70, 71 | AGND | Analog Ground. These pins are the reference points for the analog supplies and the measure circuitry. |
| 13 | SYS_FORCE | External Force Signal Input. This pin enables the connection of the system PMU. |
| 15 | MEASOUT0 | Multiplexed DUT Voltage, Current Sense Output, Temperature Sensor Voltage for Channel 0. This pin is referenced to AGND. |
| 16 | MEASOUT1 | Multiplexed DUT Voltage, Current Sense Output, Temperature Sensor Voltage for Channel 1. This pin is referenced to AGND. |
| 17 | MEASOUT2 | Multiplexed DUT Voltage, Current Sense Output, Temperature Sensor Voltage for Channel 2. This pin is referenced to AGND. |
| 18 | MEASOUT3 | Multiplexed DUT Voltage, Current Sense Output, Temperature Sensor Voltage for Channel 3. This pin is referenced to AGND. |
| 20 | EXTFOH1 | Force Output for High Current Range (Channel 1). Use an external resistor at this pin for current ranges up to ± 80 mA. For more information, see the Current Range Selection section. |
| 22 | CFF1 | External Capacitor for Channel 1. This pin optimizes the stability and settling time performance of the force amplifier when in force voltage mode. See the Compensation Capacitors section. |
| 23 | CCOMP1 | Compensation Capacitor Input for Channel 1. See the Compensation Capacitors section. |
| 24 | EXTMEASIH1 | Sense Input (High Sense) for High Current Range (Channel 1). |
| 25 | EXTMEASIL1 | Sense Input (Low Sense) for High Current Range (Channel 1). |
| 26 | FOH1 | Force Output for Internal Current Ranges (Channel 1). |
| 27 | GUARD1 | Guard Output Drive for Channel 1. |
| 28 | GUARDIN1/ DUTGND1 | Guard Amplifier Input for Channel 1/DUTGND Input for Channel 1. This dual function pin is configured via the serial interface. The default function at power-on is GUARDIN1. If this pin is configured as a DUTGND input for the channel, the input to the guard amplifier is internally connected to MEASVH1. For more information, see the Device Under Test Ground (DUTGND) section and the Guard Amplifier section. |
| 29 | MEASVH1 | DUT Voltage Sense Input (High Sense) for Channel 1. |
| 32 | MEASVH3 | DUT Voltage Sense Input (High Sense) for Channel 3. |
| 33 | GUARDIN3/ DUTGND3 | Guard Amplifier Input for Channel 3/DUTGND Input for Channel 3. This dual function pin is configured via the serial interface. The default function at power-on is GUARDIN3. If this pin is configured as a DUTGND input for the channel, the input to the guard amplifier is internally connected to MEASVH3. For more information, see the Device Under Test Ground (DUTGND) section and the Guard Amplifier section. |
| 34 | GUARD3 | Guard Output Drive for Channel 3. |
| 35 | FOH3 | Force Output for Internal Current Ranges (Channel 3). |
| 36 | EXTMEASIL3 | Sense Input (Low Sense) for High Current Range (Channel 3). |
| 37 | EXTMEASIH3 | Sense Input (High Sense) for High Current Range (Channel 3). |
| 38 | CCOMP3 | Compensation Capacitor Input for Channel 3. See the Compensation Capacitors section. |
| 39 | CFF3 | External Capacitor for Channel 3. This pin optimizes the stability and settling time performance of the force amplifier when in force voltage mode. See the Compensation Capacitors section. |
| 41 | EXTFOH3 | Force Output for High Current Range (Channel 3). Use an external resistor at this pin for current ranges up to ± 80 mA. For more information, see the Current Range Selection section. |
| 43 | CPOH3/CPO3 | Comparator Output High (Channel 3) for SPI Interface/Comparator Output Window (Channel 3) for LVDS Interface. |
| 44 | CPOL3/CPO2 | Comparator Output Low (Channel 3) for SPI Interface/Comparator Output Window (Channel 2) for LVDS Interface. |
| 45 | CPOH2/CPO1 | Comparator Output High (Channel 2) for SPI Interface/Comparator Output Window (Channel 1) for LVDS Interface. |

| Pin No. | Mnemonic | Description |
|---------|---------------------------------|---|
| 46 | CPOL2/CPO0 | Comparator Output Low (Channel 2) for SPI Interface/Comparator Output Window (Channel 0) for LVDS Interface. |
| 47 | DVCC | Digital Supply Voltage. |
| 48 | $\overline{\text{LOAD}}$ | Logic Input (Active Low). This pin synchronizes updates within one device or across a group of devices. If synchronization is not required, $\overline{\text{LOAD}}$ can be tied low; in this case, DAC channels and PMU modes are updated immediately after $\overline{\text{BUSY}}$ goes high. See the $\overline{\text{BUSY}}$ and $\overline{\text{LOAD}}$ Functions section for more information. |
| 49 | SDO | Serial Data Output for SPI or LVDS Interface. This pin can be used for data readback and diagnostic purposes. |
| 50 | CPOH1/ $\overline{\text{SDO}}$ | Comparator Output High (Channel 1) for SPI Interface/Differential Serial Data Output (Complement) for LVDS Interface. |
| 51 | DGND | Digital Ground Reference Point. |
| 52 | CPOL1/ $\overline{\text{SYNC}}$ | Comparator Output Low (Channel 1) for SPI Interface/Differential $\overline{\text{SYNC}}$ Input for LVDS Interface. |
| 53 | $\overline{\text{SYNC}}$ | Active Low Frame Synchronization Input for SPI or LVDS Interface. |
| 54 | SDI | Serial Data Input for SPI or LVDS Interface. |
| 55 | CPOH0/ $\overline{\text{SDI}}$ | Comparator Output High (Channel 0) for SPI Interface/Differential Serial Data Input (Complement) for LVDS Interface. |
| 56 | CPOL0/ $\overline{\text{SCLK}}$ | Comparator Output Low (Channel 0) for SPI Interface/Differential Serial Clock Input (Complement) for LVDS Interface. |
| 57 | SCLK | Serial Clock Input, Active Falling Edge. Data is clocked into the shift register on the falling edge of SCLK. This pin operates at clock speeds up to 50 MHz. |
| 58 | $\overline{\text{BUSY}}$ | Digital Input/Open-Drain Output. This pin indicates the status of the interface. See the $\overline{\text{BUSY}}$ and $\overline{\text{LOAD}}$ Functions section for more information. |
| 60 | EXTFOH2 | Force Output for High Current Range (Channel 2). Use an external resistor at this pin for current ranges up to ± 80 mA. For more information, see the Current Range Selection section. |
| 62 | CFF2 | External Capacitor for Channel 2. This pin optimizes the stability and settling time performance of the force amplifier when in force voltage mode. See the Compensation Capacitors section. |
| 63 | CCOMP2 | Compensation Capacitor Input for Channel 2. See the Compensation Capacitors section. |
| 64 | EXTMEASIH2 | Sense Input (High Sense) for High Current Range (Channel 2). |
| 65 | EXTMEASIL2 | Sense Input (Low Sense) for High Current Range (Channel 2). |
| 66 | FOH2 | Force Output for Internal Current Ranges (Channel 2). |
| 67 | GUARD2 | Guard Output Drive for Channel 2. |
| 68 | GUARDIN2/ DUTGND2 | Guard Amplifier Input for Channel 2/DUTGND Input for Channel 2. This dual function pin is configured via the serial interface. The default function at power-on is GUARDIN2. If this pin is configured as a DUTGND input for the channel, the input to the guard amplifier is internally connected to MEASVH2. For more information, see the Device Under Test Ground (DUTGND) section and the Guard Amplifier section. |
| 69 | MEASVH2 | DUT Voltage Sense Input (High Sense) for Channel 2. |
| 72 | MEASVH0 | DUT Voltage Sense Input (High Sense) for Channel 0. |
| 73 | GUARDIN0/ DUTGND0 | Guard Amplifier Input for Channel 0/DUTGND Input for Channel 0. This dual function pin is configured via the serial interface. The default function at power-on is GUARDIN0. If this pin is configured as a DUTGND input for the channel, the input to the guard amplifier is internally connected to MEASVH0. For more information, see the Device Under Test Ground (DUTGND) section and the Guard Amplifier section. |
| 74 | GUARD0 | Guard Output Drive for Channel 0. |
| 75 | FOH0 | Force Output for Internal Current Ranges (Channel 0). |
| 76 | EXTMEASI0 | Sense Input (Low Sense) for High Current Range (Channel 0). |
| 77 | EXTMEASIH0 | Sense Input (High Sense) for High Current Range (Channel 0). |
| 78 | CCOMP0 | Compensation Capacitor Input for Channel 0. See the Compensation Capacitors section. |
| 79 | CFF0 | External Capacitor for Channel 0. This pin optimizes the stability and settling time performance of the force amplifier when in force voltage mode. See the Compensation Capacitors section. |

TYPICAL PERFORMANCE CHARACTERISTICS

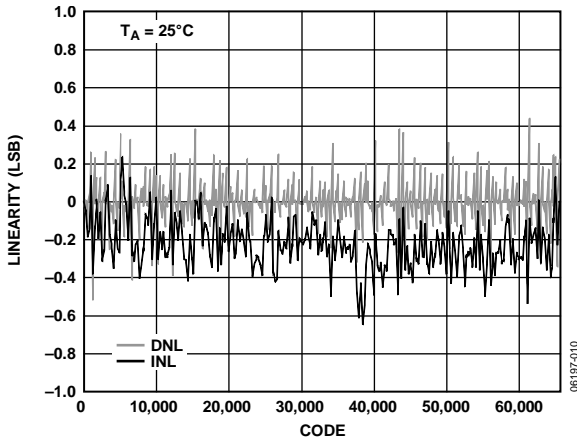


Figure 10. Force Voltage Linearity vs. Code, All Ranges, 1 LSB = 0.0015% FSR (20 V FSR)

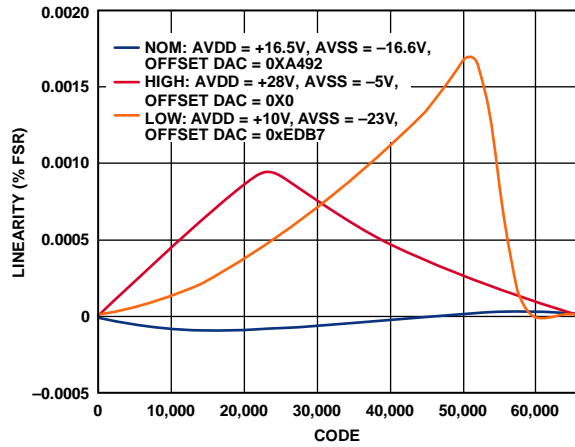


Figure 13. Measure Voltage Linearity vs. Code, All Ranges, MEASOUTx Gain = 0.2

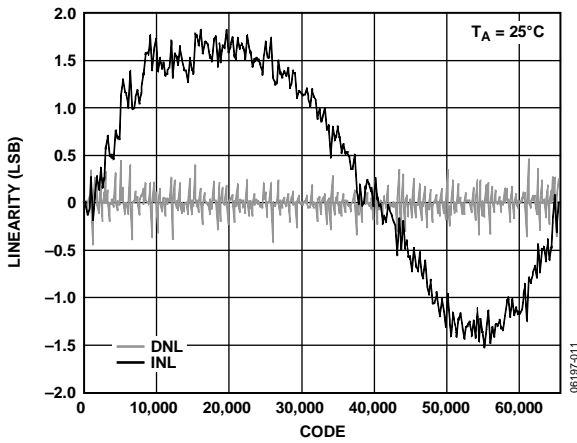


Figure 11. Force Current Linearity vs. Code, All Ranges, 1 LSB = 0.0015% FSR (20 V FSR)

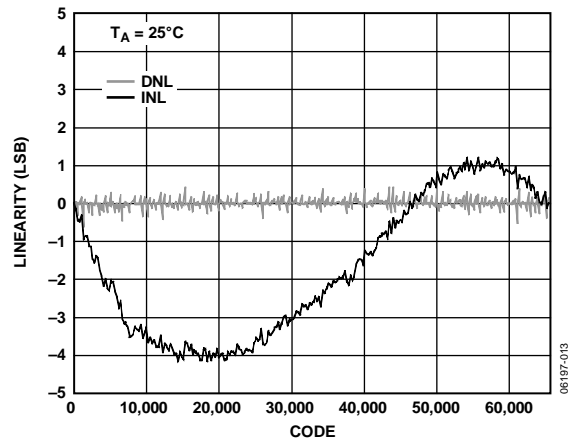


Figure 14. Measure Current Linearity vs. Code, All Ranges, 1 LSB = 0.0015% FSR (20 V FSR), MI Gain = 10, MEASOUTx Gain = 1

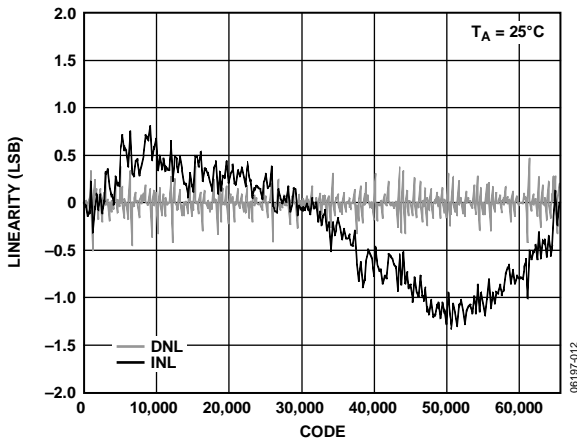


Figure 12. Measure Voltage Linearity vs. Code, All Ranges, 1 LSB = 0.0015% FSR (20 V FSR), MEASOUTx Gain = 1

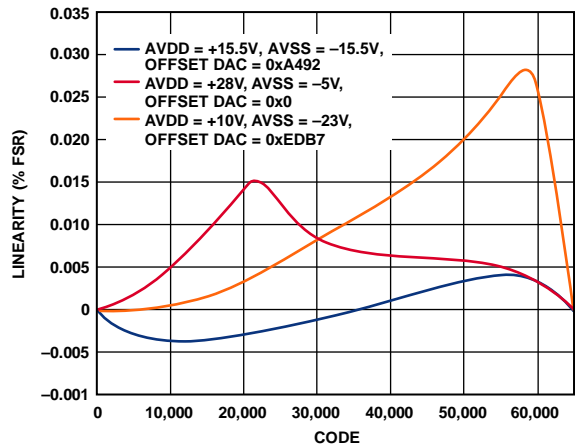


Figure 15. Measure Current Linearity vs. Code, All Ranges, MEASOUTx Gain = 0.2, MI Gain = 10

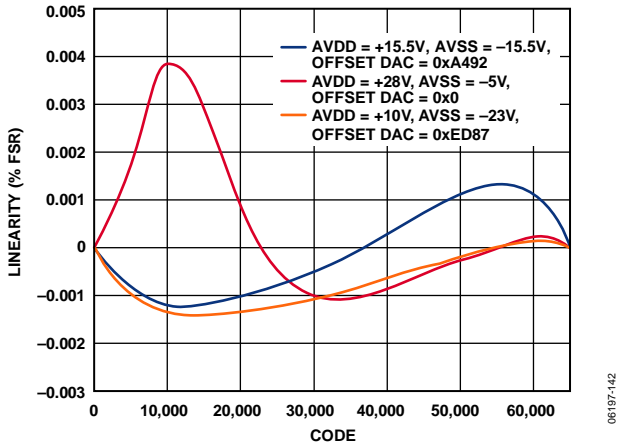


Figure 16. Measure Current Linearity vs. Code, All Ranges, MEASOUTx Gain = 0.2, MI Gain = 5

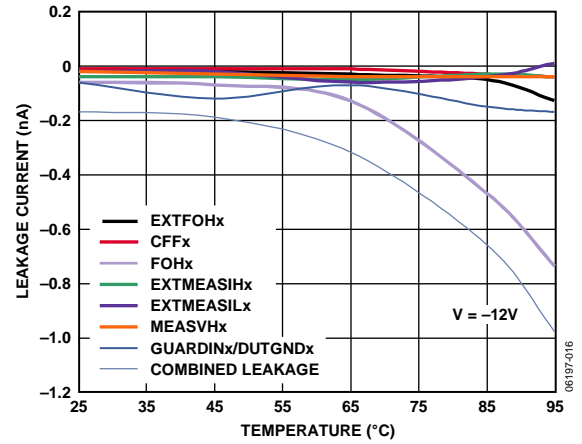


Figure 19. Leakage Current vs. Temperature (Stress Voltage = -12 V)

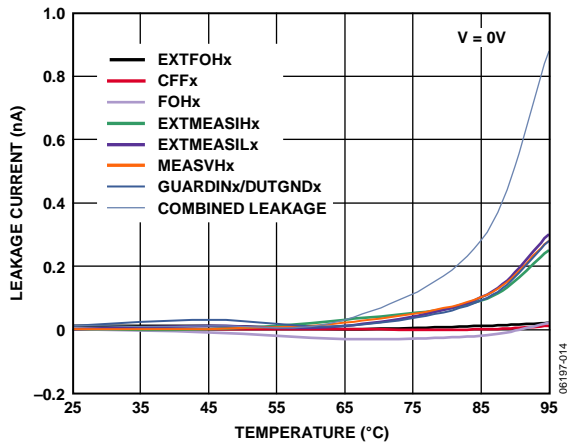


Figure 17. Leakage Current vs. Temperature (Stress Voltage = 0 V)

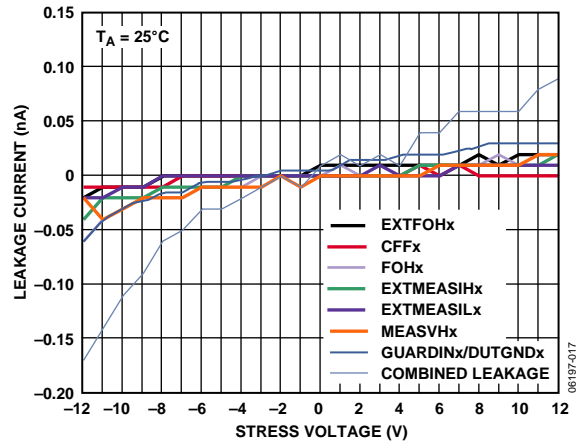


Figure 20. Leakage Current vs. Stress Voltage

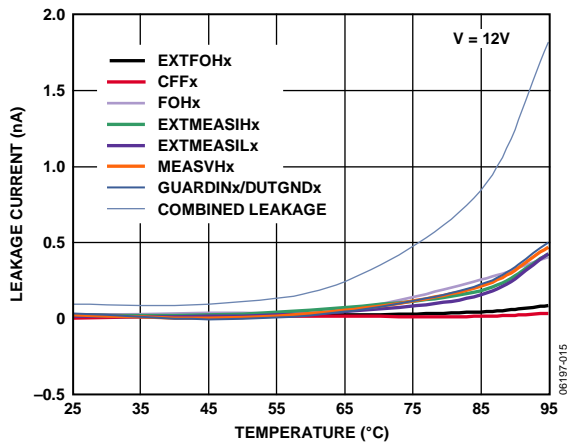


Figure 18. Leakage Current vs. Temperature (Stress Voltage = 12 V)

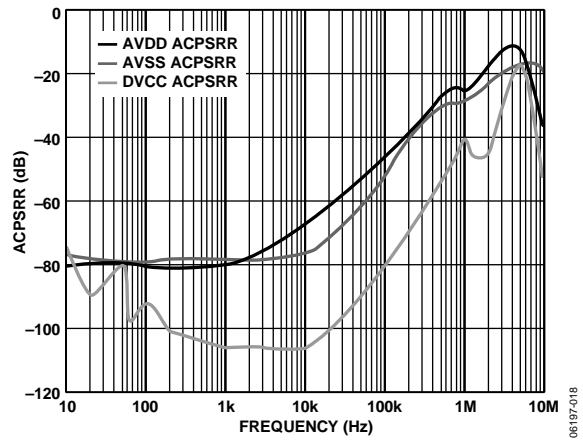


Figure 21. ACPSRR at FOHx in Force Voltage Mode vs. Frequency

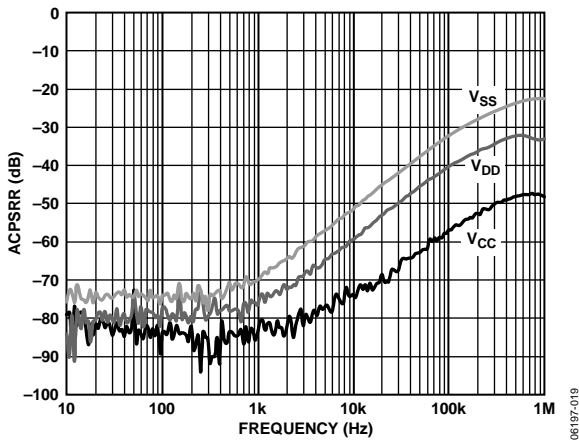


Figure 22. ACPSRR at FOHx in Force Current Mode vs. Frequency (MI Gain = 10)

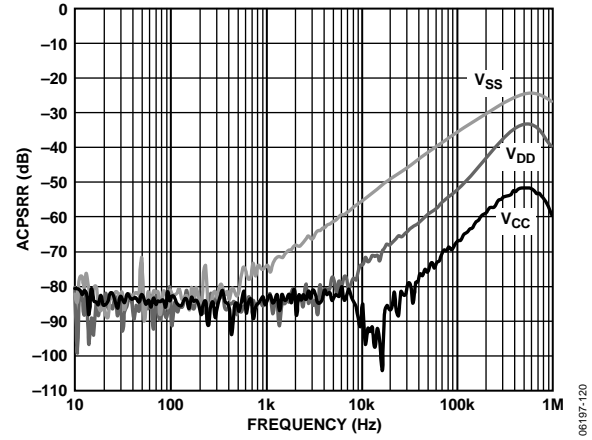


Figure 25. ACPSRR at MEASOUTx in Measure Voltage Mode vs. Frequency (MEASOUT Gain = 0.2)

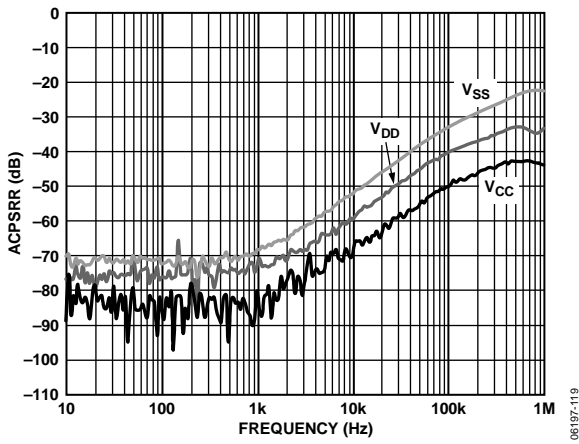


Figure 23. ACPSRR at FOHx in Force Current Mode vs. Frequency (MI Gain = 5)

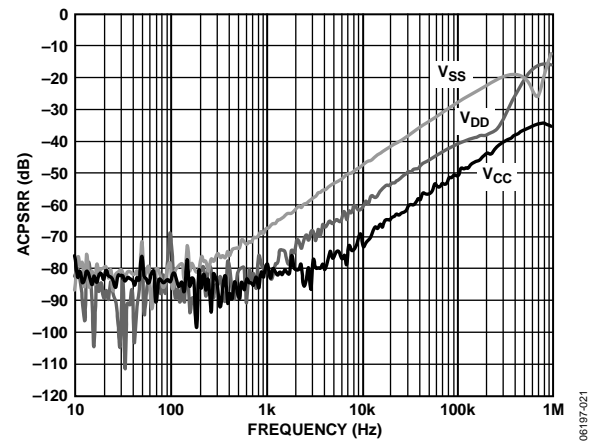


Figure 26. ACPSRR at MEASOUTx in Measure Current Mode vs. Frequency (MI Gain = 10, MEASOUT Gain = 1)

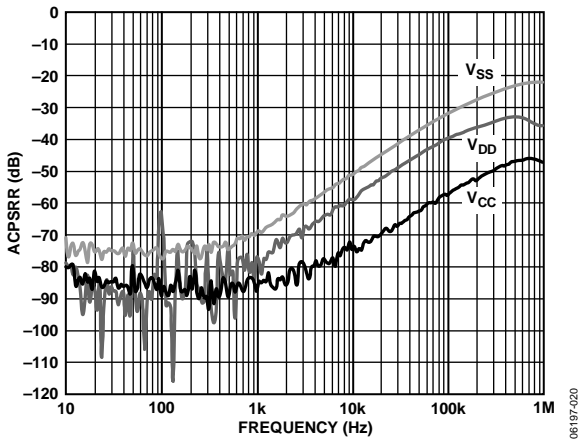


Figure 24. ACPSRR at MEASOUTx in Measure Voltage Mode vs. Frequency (MEASOUT Gain = 1)

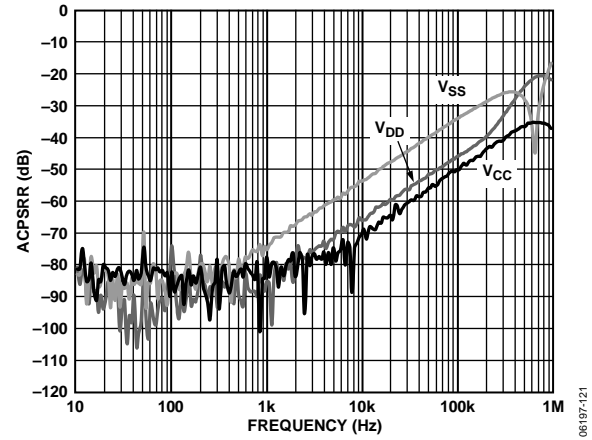


Figure 27. ACPSRR at MEASOUTx in Measure Current Mode vs. Frequency (MI Gain = 5, MEASOUT Gain = 1)

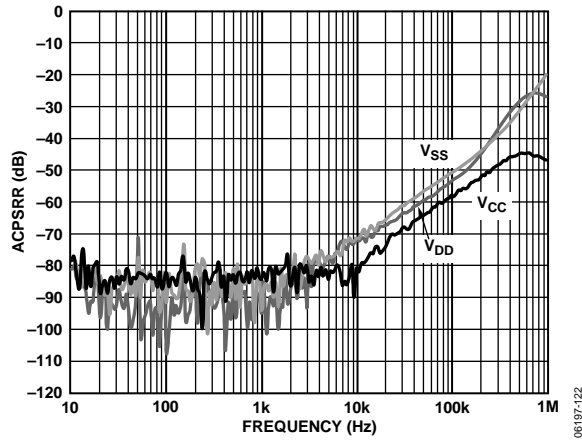


Figure 28. APCSRR at MEASOUTx in Measure Current Mode vs. Frequency (MI Gain = 10, MEASOUT Gain = 0.2)

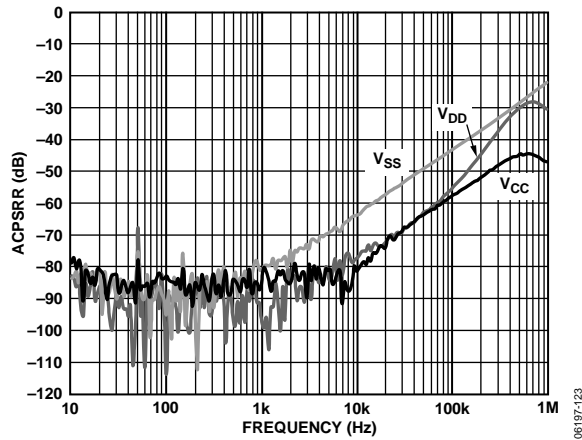


Figure 29. APCSRR at MEASOUTx in Measure Current Mode vs. Frequency (MI Gain = 5, MEASOUT Gain = 0.2)

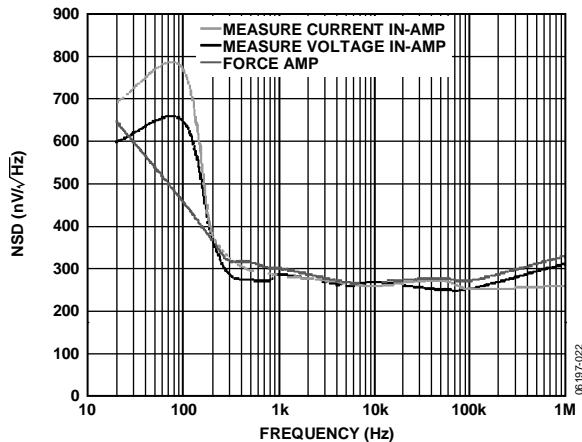


Figure 30. NSD vs. Frequency (Measured in FVMV and FVMI Mode)

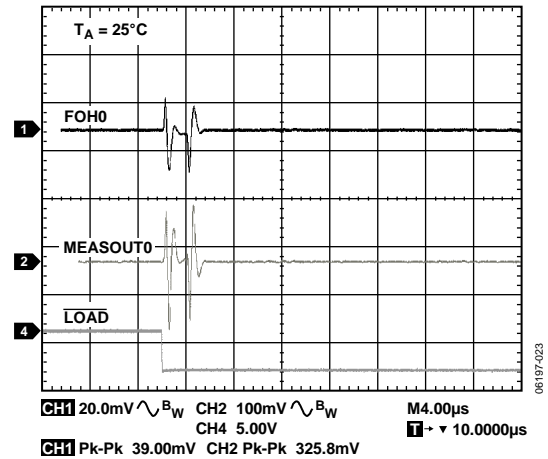


Figure 31. AC Crosstalk, FVMI Mode, PMU 0, Full-Scale Transition on One CPH DAC, MI Gain = 10, MEASOUT Gain = 1, ±2 mA Range, $C_{LOAD} = 200$ pF

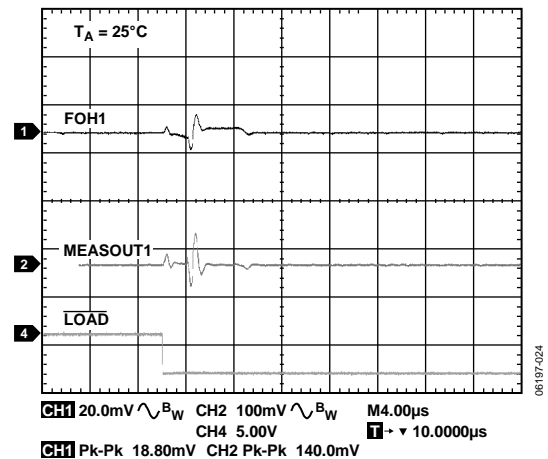


Figure 32. AC Crosstalk, FVMI Mode, PMU 1, Full-Scale Transition on One CPH DAC, MI Gain = 10, MEASOUT Gain = 1, ±2 mA Range, $C_{LOAD} = 200$ pF

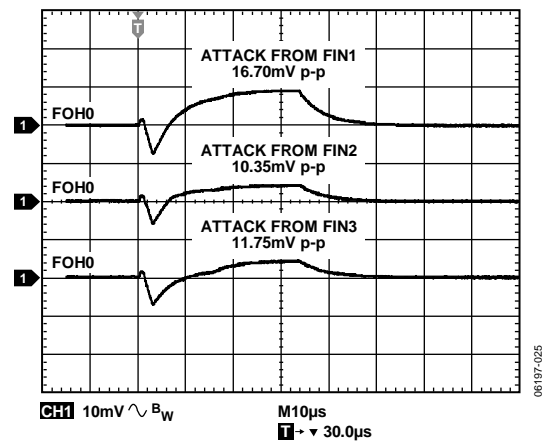


Figure 33. AC Crosstalk at FOH0 in FI Mode from FIN DAC of Each Other PMU (Full-Scale Transition), MI Gain = 10, MEASOUT Gain = 1, ±2 mA Range, $C_{LOAD} = 200$ pF

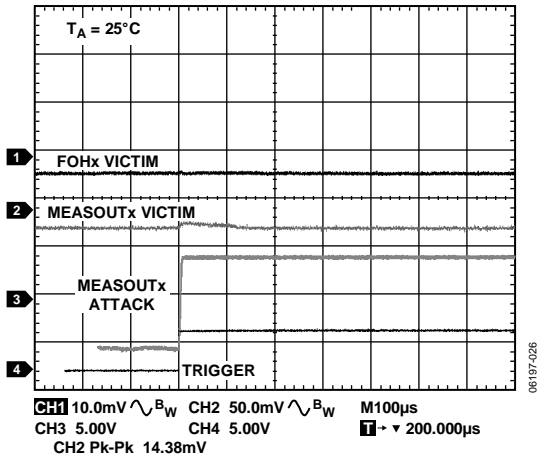


Figure 34. Shorted DUT AC Crosstalk, Victim PMU in FVMI Mode ($\pm 200 \mu A$ Range)

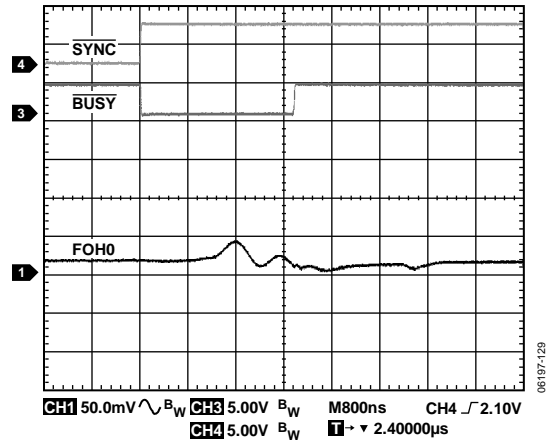


Figure 37. Range Change, PMU0, $\pm 2 \text{ mA}$ to $\pm 5 \mu A$, $C_{LOAD} = 1 \text{ nF}$, $R_{LOAD} = 620 \text{ k}\Omega$, $FV = 3 \text{ V}$

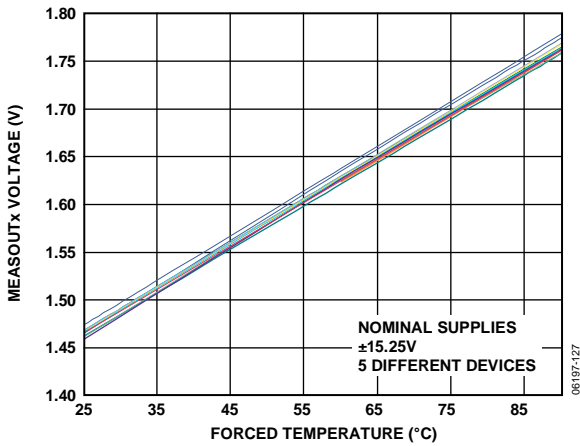


Figure 35. Temperature Sensor Voltage on MEASOUTx vs. Forced Temperature

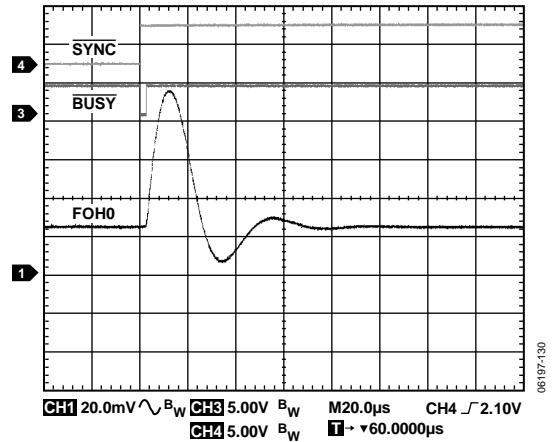


Figure 38. Range Change, PMU0, $\pm 5 \mu A$ to $\pm 2 \text{ mA}$, $C_{LOAD} = 100 \text{ nF}$, $R_{LOAD} = 620 \text{ k}\Omega$, $FV = 3 \text{ V}$

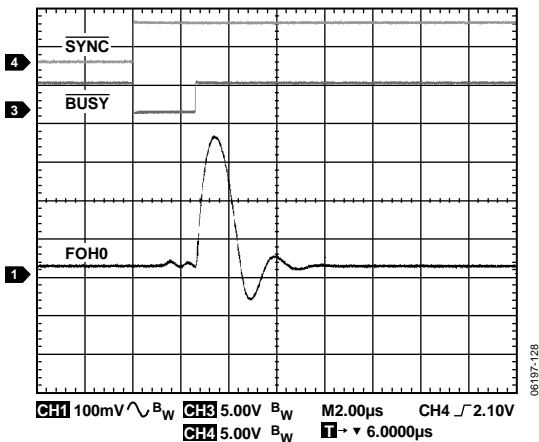


Figure 36. Range Change, PMU0, $\pm 5 \mu A$ to $\pm 2 \text{ mA}$, $C_{LOAD} = 1 \text{ nF}$, $R_{LOAD} = 620 \text{ k}\Omega$, $FV = 3 \text{ V}$

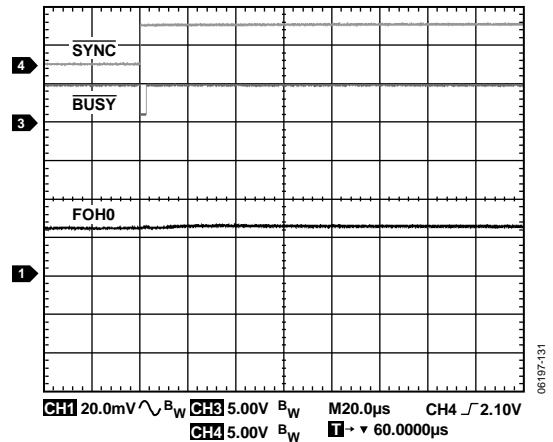


Figure 39. Range Change, PMU0, $\pm 2 \text{ mA}$ to $\pm 5 \mu A$, $C_{LOAD} = 100 \text{ nF}$, $R_{LOAD} = 620 \text{ k}\Omega$, $FV = 3 \text{ V}$

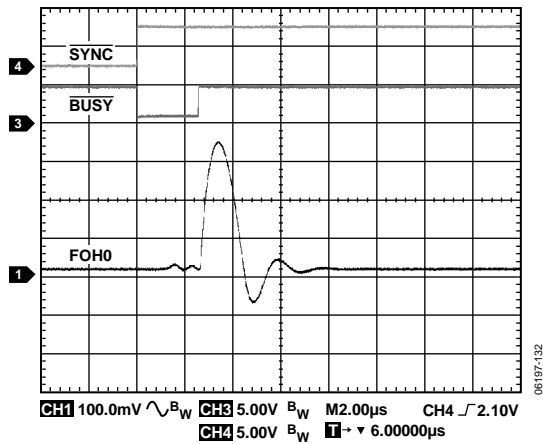


Figure 40. Range Change, PMU0, $\pm 20 \mu\text{A}$ to $\pm 2 \text{mA}$, $C_{\text{LOAD}} = 1 \text{nF}$, $R_{\text{LOAD}} = 150 \text{k}\Omega$, $\text{FV} = 3 \text{V}$

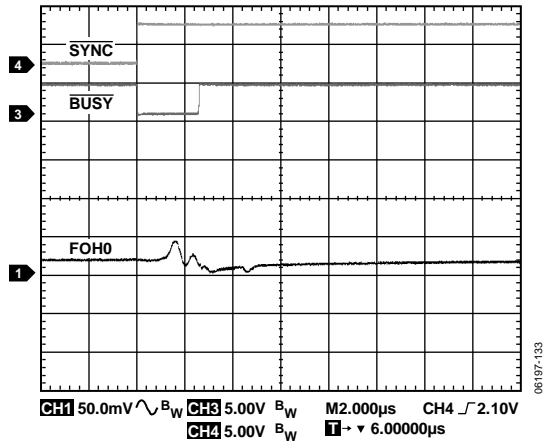


Figure 41. Range Change, PMU0, $\pm 2 \text{mA}$ to $\pm 20 \mu\text{A}$, $C_{\text{LOAD}} = 1 \text{nF}$, $R_{\text{LOAD}} = 150 \text{k}\Omega$, $\text{FV} = 3 \text{V}$

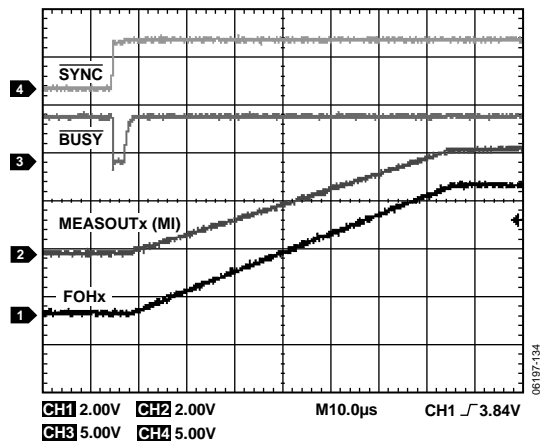


Figure 42. FV Settling, 0V to 5V , $\pm 2 \text{mA}$ Range, $C_{\text{LOAD}} = 220 \text{pF}$, $\text{CCOMP}_X = 1 \text{nF}$, $R_{\text{LOAD}} = 5.6 \text{k}\Omega$

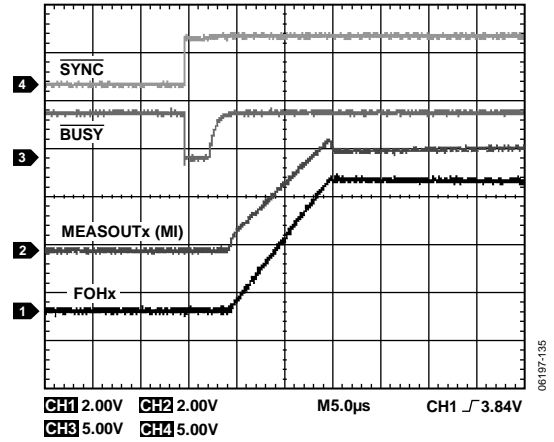


Figure 43. FV Settling, 0V to 5V , $\pm 2 \text{mA}$ Range, $C_{\text{LOAD}} = 220 \text{pF}$, $\text{CCOMP}_X = 100 \text{pF}$, $R_{\text{LOAD}} = 5.6 \text{k}\Omega$

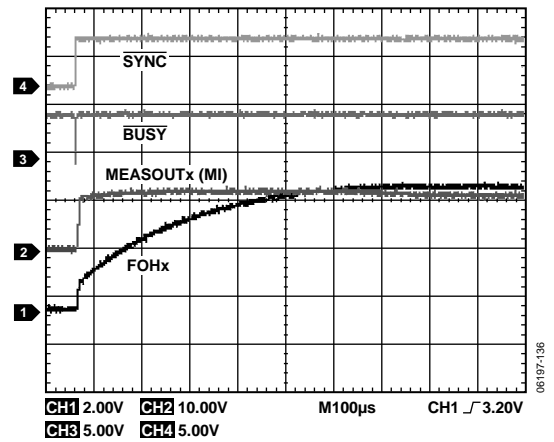


Figure 44. FV Settling, 0V to 5V , $\pm 5 \mu\text{A}$ Range, $C_{\text{LOAD}} = 220 \text{pF}$, $\text{CCOMP}_X = 100 \text{pF}$, $R_{\text{LOAD}} = 1 \text{M}\Omega$

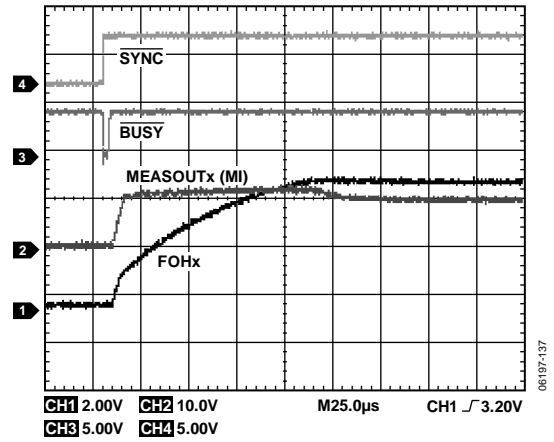


Figure 45. FV Settling, 0V to 5V , $\pm 20 \mu\text{A}$ Range, $C_{\text{LOAD}} = 220 \text{pF}$, $\text{CCOMP}_X = 100 \text{pF}$, $R_{\text{LOAD}} = 270 \text{k}\Omega$

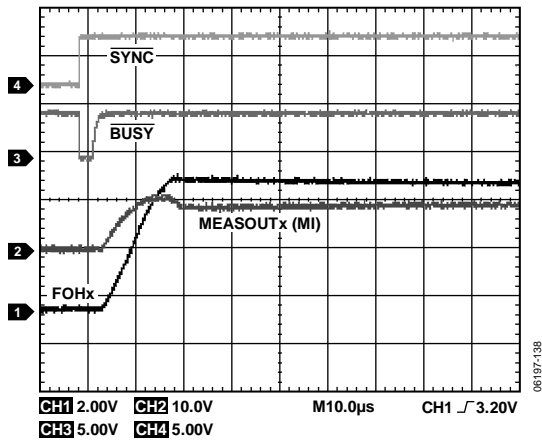


Figure 46. FV Settling, 0 V to 5 V, $\pm 200 \mu\text{A}$ Range, $C_{\text{LOAD}} = 220 \text{ pF}$, $C_{\text{COMPX}} = 100 \text{ pF}$, $R_{\text{LOAD}} = 27 \text{ k}\Omega$

TERMINOLOGY

Offset Error

Offset error is a measure of the difference between the actual voltage and the ideal voltage at midscale or at zero current expressed in mV or % FSR.

Gain Error

Gain error is the difference between full-scale error and zero-scale error. It is expressed in % FSR.

$$\text{Gain Error} = \text{Full-Scale Error} - \text{Zero-Scale Error}$$

where:

Full-Scale Error is the difference between the actual voltage and the ideal voltage at full scale.

Zero-Scale Error is the difference between the actual voltage and the ideal voltage at zero scale.

Linearity Error

Linearity error, or relative accuracy, is a measure of the maximum deviation from a straight line passing through the endpoints of the full-scale range. It is measured after adjusting for gain error and offset error and is expressed in % FSR.

Differential Nonlinearity (DNL)

Differential nonlinearity is the difference between the measured change and the ideal 1 LSB change between any two adjacent codes. A specified differential nonlinearity of ± 1 LSB maximum ensures monotonicity.

Common-Mode (CM) Error

Common-mode (CM) error is the error at the output of the amplifier due to the common-mode input voltage. It is expressed in % of FSVR/V.

Leakage Current

Leakage current is the current measured at an output pin when that function is off or high impedance.

Pin Capacitance

Pin capacitance is the capacitance measured at a pin when that function is off or high impedance.

Slew Rate

The slew rate is the rate of change of the output voltage expressed in V/ μ s.

Output Voltage Settling Time

Output voltage settling time is the amount of time it takes for the output of a DAC to settle to a specified level for a full-scale input change.

Digital-to-Analog Glitch Energy

Digital-to-analog glitch energy is the amount of energy that is injected into the analog output at the major code transition. It is specified as the area of the glitch in nV-sec. It is measured by toggling the DAC register data between 0x7FFF and 0x8000.

Digital Crosstalk

Digital crosstalk is defined as the glitch impulse transferred to the output of one converter due to a change in the DAC register code of another converter. It is specified in nV-sec.

AC Crosstalk

AC crosstalk is defined as the glitch impulse transferred to the output of one PMU due to a change in any of the DAC registers in the package.

ACPSRR

ACPSRR is a measure of the ability of the device to avoid coupling noise and spurious signals that appear on the supply voltage pin to the output of the switch. The dc voltage on the device is modulated by a sine wave of 0.2 V p-p. The ratio of the amplitude of the signal on the output to the amplitude of the modulation is the ACPSRR.

THEORY OF OPERATION

The AD5522 is a highly integrated, quad per-pin parametric measurement unit (PPMU) for use in semiconductor automated test equipment. It provides programmable modes to force a pin voltage and measure the corresponding current (FVMI) and to force a pin current and measure the corresponding voltage (FIMV). The device is also capable of all other combinations, including force high-Z and measure high-Z. The PPMU can force or measure a voltage range of 22.5 V. It can force or measure currents up to ± 80 mA per channel using the internal amplifier; the addition of an external amplifier enables higher current ranges. All the DAC levels required for each PMU channel are on chip.

FORCE AMPLIFIER

The force amplifier drives the analog output, FOHx, which drives a programmed current or voltage to the device under test (DUT). Headroom and foot room requirements for this amplifier are 3 V on either end. An additional ± 1 V is dropped across the sense resistor when maximum (rated) current is flowing through it.

The force amplifier is designed to drive DUT capacitances up to 10 nF, with a compensation value of 100 pF. Larger DUT capacitive loads require larger compensation capacitances.

Local feedback ensures that the amplifiers are stable when disabled. A disabled channel reduces power consumption by 2.5 mA per channel.

COMPARATORS

Per channel, the DUT measured voltage or current is monitored by two comparators configured as window comparators. Internal DAC levels set the CPL (comparator low) and CPH (comparator high) threshold values. There are no restrictions on the voltage settings of the comparator highs and lows. CPL going higher than CPH is not a useful operation; however, it does not cause any problems with the device. CPOLx (comparator output low) and CPOHx (comparator output high) are continuous time comparator outputs.

Table 8. Comparator Output Function Using SPI Interface

| Test Condition | CPOLx | CPOHx |
|------------------------------------|-------|-------|
| V_{DUT} or $I_{DUT} > CPH$ | | 0 |
| V_{DUT} or $I_{DUT} < CPH$ | | 1 |
| V_{DUT} or $I_{DUT} > CPL$ | 1 | |
| V_{DUT} or $I_{DUT} < CPL$ | 0 | |
| $CPH > V_{DUT}$ or $I_{DUT} > CPL$ | 1 | 1 |

When using the SPI interface, full comparator functionality is available. When using the LVDS interface, the comparator function is limited to one output per comparator, due to the large pin count requirement of the LVDS interface.

When using the LVDS interface, the comparator output available pins, CPO0 to CPO3, provide information on whether the measured voltage or current is inside or outside the set CPH and CPL

window. Information on whether the measurement was high or low is available via the serial interface (comparator status register).

Table 9. Comparator Output Function Using LVDS Interface

| Test Condition | CPOx Output |
|---|-------------|
| $(CPL < (V_{DUT}$ or $I_{DUT}))$ and $((V_{DUT}$ or $I_{DUT}) < CPH)$ | 1 |
| $(CPL > (V_{DUT}$ or $I_{DUT}))$ or $((V_{DUT}$ or $I_{DUT}) > CPH)$ | 0 |

CLAMPS

Current and voltage clamps are included on chip, one clamp for each PMU channel. The clamps protect the DUT in the event of an open-circuit or short-circuit condition. Internal DAC levels set the CLL (clamp low) and CLH (clamp high) levels. The clamps work to limit the force amplifier if a voltage or current at the DUT exceeds the set levels. The clamps also protect the DUT if a transient voltage or current spike occurs when changing to a different operating mode or when programming the device to a different current range.

The voltage clamps are available while forcing current, and the current clamps are available while forcing voltage. The user can set up the voltage or current clamp status (enabled or disabled) using the serial interface (system control register or PMU register).

Each clamp has a smooth, finite transition region between normal (unclamped) operation and the final clamped level, and an internal flag is activated within this transition zone. The open-drain \overline{CGALM} pin indicates whether one or more PMU channels has clamped. The clamp status of an individual PMU can be determined by polling the alarm status register using the SPI or LVDS interface.

CLL should never be greater than CLH. For the voltage clamps, there should be 500 mV between the CLL and CLH levels to ensure that a region exists in the middle of the clamps where both are off. Similarly, set current clamps ± 250 mV away from 0 A.

The transfer function for voltage clamping in FI mode is

$$V_{CLL} \text{ or } V_{CLH} = 4.5 \times V_{REF} \times (DAC_CODE/2^{16}) - (3.5 \times V_{REF} \times (OFFSET_DAC_CODE/2^{16})) + DUT_{GND}$$

See the DAC Levels section for more information.

The transfer function for current clamping in FV mode is

$$I_{CLL} \text{ or } I_{CLH} = 4.5 \times V_{REF} \times ((DAC_CODE - 32,768)/2^{16}) / (R_{SENSE} \times MI_Amplifier_Gain)$$

where:

R_{SENSE} is the sense resistor of the selected current range.

$MI_Amplifier_Gain$ is the gain of the measure current instrumentation amplifier, either 5 or 10.

Do not change clamp levels while the channel is in force mode because this can affect the forced voltage or current applied to the DUT. Similarly, the clamps should not be enabled or disabled during a force operation.

When the AD5522 is placed in high-Z mode, the clamp circuit is always configured to monitor the measure current signal (irrespective of which high-Z mode is selected, high-Z V or high-Z I). At this time, the clamp circuit is also comparing to the voltage clamp levels. Because the device is in high-Z mode, the measure current signal is at zero, but zero for the measure current is always the VMID voltage set by the offset DAC. For default offset DAC conditions, this causes no concern. For other settings of the offset DAC, the zero point follows the VMID, and as the clamp circuit is comparing the voltage clamp levels to the measure current signal, there may be instances where the voltage clamp levels cause the alarm to flag during high-Z mode. To avoid this, the clamps can be disabled when going into high-Z mode.

CURRENT RANGE SELECTION

Integrated thin film resistors minimize the need for external components and allow easy selection of any of these current ranges: ±5 µA (200 kΩ), ±20 µA (50 kΩ), ±200 µA (5 kΩ), and ±2 mA (500 Ω). One current range up to ±80 mA can be accommodated per channel by connecting an external sense resistor. For current ranges in excess of ±80 mA, it is necessary that an external amplifier be used.

For the suggested current ranges, the maximum voltage drop across the sense resistors is ±1 V. However, to allow for error correction, there is some overrange available in the current ranges (±12.5% or ±0.125 V across R_{SENSE}). The full-scale voltage range that can be loaded to the FIN DAC is ±11.5 V; the forced current can be calculated as follows:

$$FI = 4.5 \times VREF \times ((DAC_CODE - 32,768)/2^{16}) / (R_{SENSE} \times MI_Amplifier_Gain)$$

where:

FI is the forced current.

R_{SENSE} is the selected sense resistor.

MI_Amplifier_Gain is the gain of the measure current instrumentation amplifier. This gain can be set to 5 or 10 via the serial interface.

In the ±200 µA range with the 5 kΩ sense resistor and an I_{SENSE} gain of 10, the maximum current range possible is ±225 µA. Similarly, for the other current ranges, there is an overrange of 12.5% to allow for error correction.

Also, the forced current range is the quoted full-scale range only with an applied reference of 5 V or 2.5 V (with I_{SENSE} amplifier gain = 5). The I_{SENSE} amplifier is biased by the VMID DAC voltage in such a way as to center the measure current output irrespective of the voltage span used.

When using the EXTFOHx outputs for current ranges up to ±80 mA, there is no switch in series with the EXTFOHx line, ensuring minimum capacitance present at the output of the force amplifier. This feature is important when using a pin electronics driver to provide high current ranges.

HIGH CURRENT RANGES

With the use of an external high current amplifier, one high current range in excess of ±80 mA is possible. The high current amplifier buffers the force output and provides the drive for the required current.

To eliminate any timing concerns when switching between the internal ranges and the external high current range, there is a mode where the internal ±80 mA stage can be enabled at all times. See Table 26 for more information.

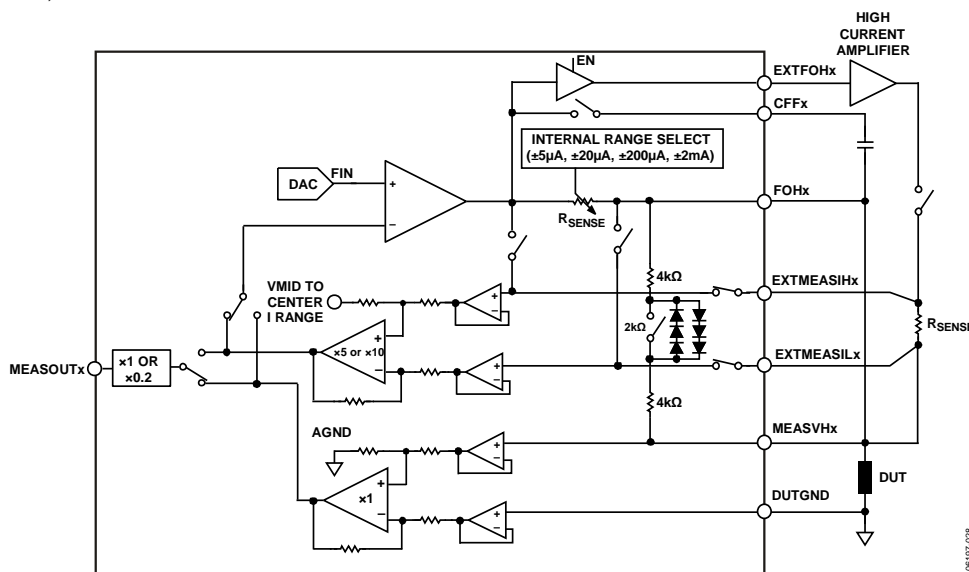


Figure 47. Addition of High Current Amplifier for Wider Current Range (>±80 mA)

MEASURE CURRENT GAINS

The measure current amplifier has two gain settings, 5 and 10. The two gain settings allow users to achieve the quoted/specified current ranges with large or small voltage swing. Use the 10 gain setting with a 5 V reference, and use the 5 gain setting with a 2.5 V reference. Both combinations ensure the specified current ranges. Using other VREF/gain setting combinations should achieve smaller current ranges only. Achieving greater current ranges than the specified ranges is outside the intended operation of the AD5522. The maximum guaranteed voltage across $R_{SENSE} = \pm 1.125$ V.

Following are examples of VREF/gain setting combinations. In these examples, the offset DAC is at its default value of 0xA492.

VREF = 5 V results in a ± 11.25 V range. Using a gain setting of 10, there is ± 1.125 V maximum across R_{SENSE} , resulting in current ranges of $\pm 5.625 \mu\text{A}$, $\pm 22.5 \mu\text{A}$, and so on (including overrange of $\pm 12.5\%$ to allow for error correction).

VREF = 2.5 V results in a ± 5.625 V range. Using a gain setting of 5 results in current ranges of $\pm 5.625 \mu\text{A}$, $\pm 22.5 \mu\text{A}$, and so on (including overrange of $\pm 12.5\%$ to allow for error correction).

VREF = 3.5 V results in a ± 7.87 V range. Using a gain setting of 10, there is ± 0.785 V maximum across R_{SENSE} , resulting in current ranges of $\pm 3.92 \mu\text{A}$, $\pm 15.74 \mu\text{A}$, and so on (including overrange of $\pm 12.5\%$ to allow for error correction).

VMID VOLTAGE

The midcode voltage (VMID) is used in the measure current amplifier block to center the current ranges about 0 A. This is required to ensure that the quoted current ranges can be achieved when using offset DAC settings other than the default. VMID corresponds to 0x8000 or the DAC midcode value, that is, the middle of the voltage range set by the offset DAC setting (see Table 13). See the block diagram in Figure 48.

$$VMID = 4.5 \times VREF \times (32,768/2^{16}) - (3.5 \times VREF \times (OFFSET_DAC_CODE/2^{16}))$$

or

$$VMID = 3.5 \times VREF \times ((42,130 - OFFSET_DAC_CODE)/2^{16})$$

$$VMIN = -3.5 \times VREF \times (OFFSET_DAC_CODE/2^{16})$$

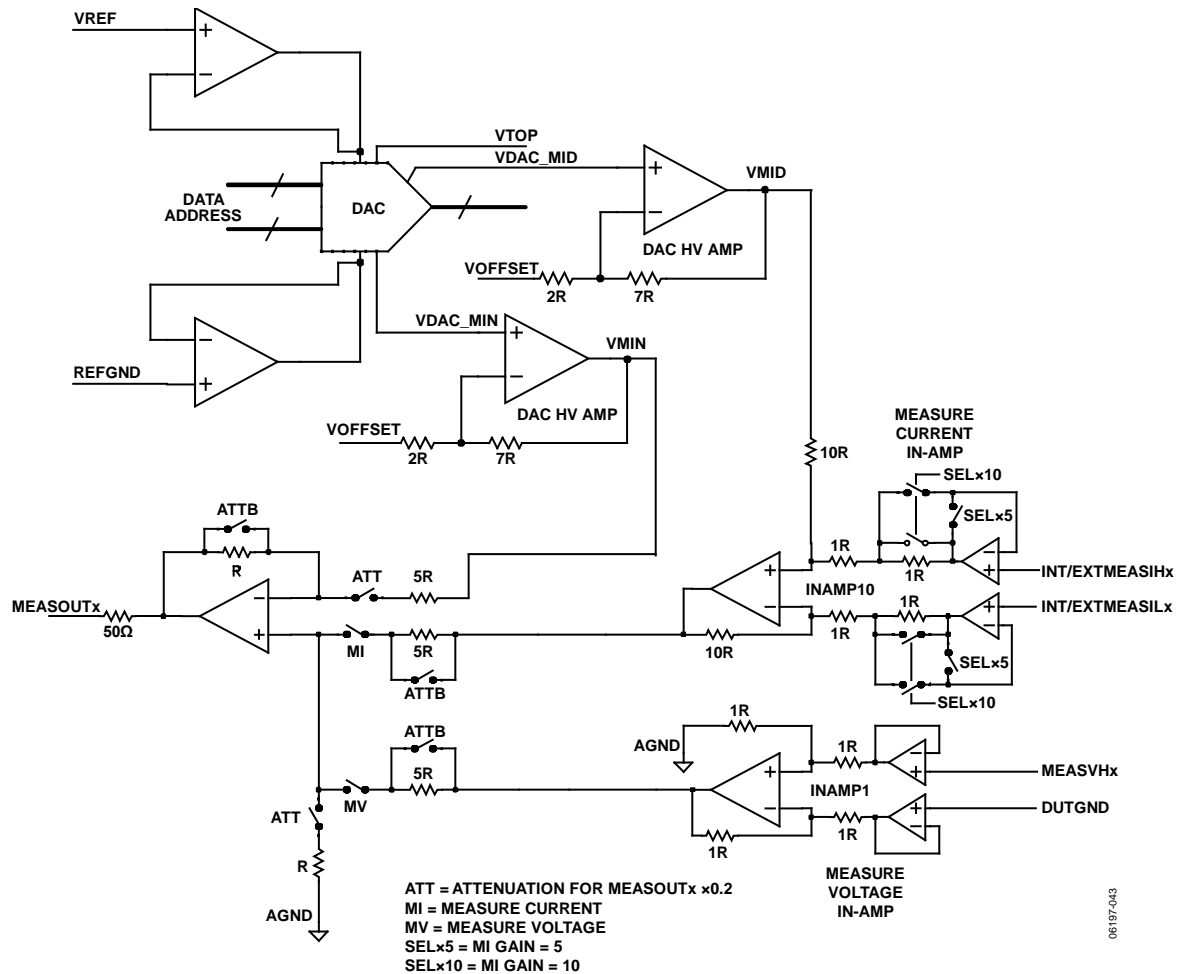


Figure 48. Measure Block and VMID Influence

CHOOSING POWER SUPPLY RAILS

As noted in the Specifications section, the minimum supply variation across the part $|AVDD - AVSS| \geq 20$ V. For the AD5522 circuits to operate correctly, the supply rails must take into account not only the force voltage range, but also the internal DAC minimum voltage level, as well as headroom and so on. The DAC amplifier gains V_{REF} by 4.5, and the offset DAC centers that range about some chosen point.

The supplies need to cater to the DAC output voltage range to avoid impinging on other parts of the circuit (for example, if the measure current block for rated current ranges has a gain of 10/5, the supplies need to provide sufficient headroom and foot room to not clip the measure current circuit when full current range is required).

Also, the MEASOUT gain = 0.2 setting uses the V_{MIN} level for scaling purposes; if there is not enough foot room for this V_{MIN} level, then the MV and MI output voltage range is affected.

For the MEASOUT gain = 0.2 setting, it is important to choose $AVSS$ based on the following:

$$AVSS \leq -3.5 \times (V_{REF} \times (OFFSET_DAC_CODE/2^{16})) - AVSS_{footroom} - V_{DUTGND} - (R_{CABLE} \times I_{LOAD})$$

where:

$$AVSS_{footroom} = 4 \text{ V.}$$

V_{DUTGND} is the voltage range anticipated at DUTGND.

R_{CABLE} is the cable/path resistance.

I_{LOAD} is the maximum load current.

To achieve full output current in both the internal and external current ranges, consider power supply headroom and foot room (see Table 1). For example, to achieve full 80 mA sink capability, the foot room needs to increase from $AVSS + 3$ V to $AVSS + 6$ V.

Table 10. MEASOUTx Output Ranges for GAIN1 = 0, MEASOUT Gain = 1

| MEASOUT Function | Measure Current Gain | Transfer Function | Output Voltage Range for $V_{REF} = 5$ V ¹ | | |
|------------------|----------------------|---|---|-------------------------------------|---|
| | | | Offset DAC = 0x0 | Offset DAC = 0xA492 | Offset DAC = 0xED67 |
| MV | 5 or 10 | $\pm V_{DUT}$ | 0 V to 22.5 V | ± 11.25 V | -16.26 V to +6.25 V |
| MI | | | | | |
| GAIN0 = 0 | 10 | $(I_{DUT} \times R_{SENSE} \times 10) + VMID^2$ | 0 V to 22.5 V | ± 11.25 V | -16.26 V to +6.25 V |
| GAIN0 = 1 | 5 | $(I_{DUT} \times R_{SENSE} \times 5) + VMID$ | 0 V to 11.25 V, ($V_{REF} = 2.5$ V) | ± 5.625 V, ($V_{REF} = 2.5$ V) | -8.13 V to +3.12 V, ($V_{REF} = 2.5$ V) |

¹ $V_{REF} = 5$ V unless otherwise noted.

² $VMID = 3.5 \times V_{REF} \times ((42,130 - OFFSET_DAC_CODE)/2^{16})$, see VMID Voltage section for more information.

MEASURE OUTPUT (MEASOUTx PINS)

The measured DUT voltage or current (voltage representation of DUT current) is available on the MEASOUTx pin with respect to AGND. The default MEASOUTx range is the forced voltage range for voltage measure and current measure (nominally ± 11.25 V, depending on the reference voltage and offset DAC) and includes some overrange to allow for offset correction.

The serial interface allows the user to select another MEASOUTx range of $0.9 \times V_{REF}$ to AGND, allowing an ADC with a 5 V input range to be used. The MEASOUTx line for each PMU channel can be made high impedance via the serial interface.

The offset DAC directly offsets the measured output voltage level, but only when $GAIN1 = 0$. When the MEASOUT gain is 0.2, the minimum code from the DAC is used to center the MEASOUTx voltage and to ensure that the voltage is within the range of 0 to $0.9 \times V_{REF}$ (see Figure 48).

When using low supply voltages, ensure that there is sufficient headroom and foot room for the DAC output range (set by the V_{REF} and offset DAC setting).

DEVICE UNDER TEST GROUND (DUTGND)

By default, there is one DUTGND input available for all four PMU channels. However, in some PMU applications, it is necessary that each channel operate from its own DUTGND level. The dual function pin, $GUARDINx/DUTGNDx$, can be configured as an input to the guard amplifier ($GUARDIN$) or as a DUTGND input for each channel.

The pin function can be configured through the serial interface on power-on for the required operation. The default connection is SW13b ($GUARDIN$) and SW14b (shared DUTGND).

Table 11. MEASOUTx Output Ranges for GAIN1 = 1, MEASOUT Gain = 0.2

| MEASOUT Function | Measure Current Gain | Transfer Function | Output Voltage Range for VREF = 5 V ^{1,2} |
|------------------|----------------------|--|--|
| MV | 5 or 10 | $0.2 \times (V_{DUT} - DUTGND - VMIN^3)$ | 0 V to 4.5 V (± 2.25 V centered around 2.25 V) |
| MI | | | |
| GAIN0 = 0 | 10 | $(I_{DUT} \times R_{SENSE} \times 10 \times 0.2) + (0.45 \times VREF)$ | 0 V to 4.5 V (± 2.25 V centered around 2.25 V) |
| GAIN0 = 1 | 5 | $(I_{DUT} \times R_{SENSE} \times 5 \times 0.2) + (0.45 \times VREF)$ | 1.125 V to 3.375 V (± 1.125 V, centered around 2.25 V), 0 V to 2.25 V (± 1.125 V, centered around 1.125 V), (VREF = 2.5 V) |

¹ VREF = 5 V unless otherwise noted.

² The offset DAC setting has no effect on the output voltage range.

³ $VMIN = 3.5 \times VREF \times (OFFSET_DAC_CODE/2^{16})$, see VMID Voltage section for more information.

When configured as DUTGND per channel, this dual function pin is no longer connected to the input of the guard amplifier. Instead, it is connected to the low end of the instrumentation amplifier (SW14a), and the input of the guard amplifier is connected internally to MEASVHx (SW13a).

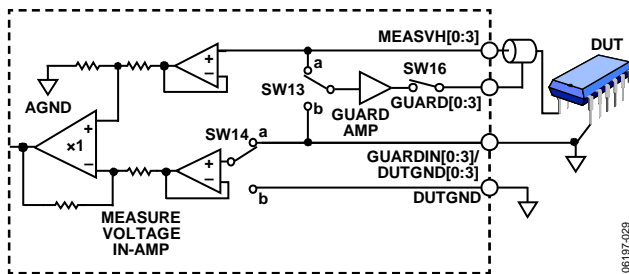


Figure 49. Using the DUTGND per Channel Feature

GUARD AMPLIFIER

A guard amplifier allows the user to bootstrap the shield of the cable to the voltage applied to the DUT, ensuring minimal drops across the cable. This is particularly important for measurements requiring a high degree of accuracy and in leakage current testing.

If not required, all four guard amplifiers can be disabled via the serial interface (system control register). Disabling the guard amplifiers decreases power consumption by 400 μ A per channel.

As described in the Device Under Test Ground (DUTGND) section, GUARDINx/DUTGNDx are dual function pins. Each pin can function either as a guard amplifier input for one channel or as a DUTGND input for one channel, depending on the requirements of the end application (see Figure 49).

A guard alarm event occurs when the guard output moves more than 100 mV away from the guard input voltage for more than 200 μ s. In this case, the event is flagged via the open-drain output CGALM. Because the guard and clamp alarm functions share the same alarm output, CGALM, the alarm information (alarm trigger and alarm channel) is available via the serial interface in the alarm status register.

Alternatively, the serial interface allows the user to set up the CGALM output to flag either the clamp status or the guard status. By default, this open-drain alarm pin is an unlatched

output, but it can be configured as a latched output via the serial interface (system control register).

COMPENSATION CAPACITORS

Each channel requires an external compensation capacitor (CCOMP) to ensure stability into the maximum load capacitance while ensuring that settling time is optimized. In addition, one CFF pin per channel is provided to further optimize stability and settling time performance when in force voltage (FV) mode. When changing from force current (FI) mode to FV mode, the internal switch connecting the CFF capacitor is automatically closed.

Although the force amplifier is designed to drive load capacitances up to 10 nF (with CCOMP capacitor = 100 pF), it is possible to use larger compensation capacitor values to drive larger loads, at the expense of an increase in settling time. If a wide range of load capacitances must be driven, an external multiplexer connected to the CCOMPx pin allows optimization of settling time vs. stability. The series resistance of a switch placed on CCOMPx should typically be <math>< 50 \Omega</math>.

Suitable multiplexers for use are the ADG1404, ADG1408, or one of the multiplexers in the ADG4xx family, which typically have on resistances of less than 50 Ω .

Similarly, connecting the CFF node to an external multiplexer accommodates a wide range of C_{DUT} in FV mode. The ADG1204 or ADG1209 family of multiplexers meet these requirements. The series resistance of the multiplexer used should be such that

$$1/(2\pi \times R_{ON} \times C_{DUT}) > 100 \text{ kHz}$$

The voltage range of the CFFx and CCOMPx pins is the same as the voltage range expected on the FOHx pin; therefore, choice of capacitor must take this into account.

Table 12. Suggested Compensation Capacitor Selection

| C _{LOAD} | CCOMP Capacitor | CFF Capacitor |
|-------------------|-----------------|---------------|
| ≤ 1 nF | 100 pF | 220 pF |
| ≤ 10 nF | 100 pF | 1 nF |
| ≤ 100 nF | $C_{LOAD}/100$ | $C_{LOAD}/10$ |

SYSTEM FORCE AND SENSE SWITCHES

Each channel has switches to allow connection of the force (FOHx) and sense (MEASVHx) lines to a central PMU for calibration purposes. There is one set of SYS_FORCE and SYS_SENSE pins per device. It is recommended that these connections be made individually to each PMU channel.

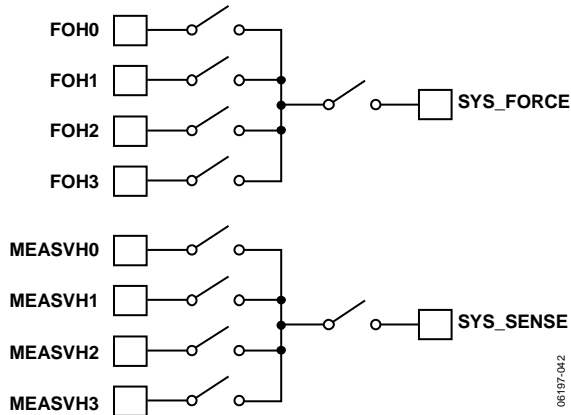


Figure 50. SYS_FORCE and SYS_SENSE Connections to FOHx and MEASVHx Pins

TEMPERATURE SENSOR

An on-board temperature sensor monitors die temperature. The temperature sensor is located at the center of the die. If the temperature exceeds the factory specified value (130°C) or a user programmable value, the device protects itself by shutting down all channels and flagging an alarm through the latched, open-drain TMPALM pin. Alarm status can be read back from the alarm status register or the PMU register, where latched and unlatched bits indicate whether an alarm has occurred and whether the temperature has dropped below the set alarm temperature. The shutdown temperature is set using the system control register.

DAC LEVELS

Each channel contains five dedicated DAC levels: one for the force amplifier, one each for the clamp high and clamp low levels, and one each for the comparator high and comparator low levels.

The architecture of a single DAC channel consists of a 16-bit resistor-string DAC followed by an output buffer amplifier. This resistor-string architecture guarantees DAC monotonicity. The 16-bit binary digital code loaded to the DAC register determines at which node on the string the voltage is tapped off before being fed into the output amplifier.

The transfer function for DAC outputs is as follows:

$$V_{OUT} = 4.5 \times V_{REF} \times (X2/2^{16}) - (3.5 \times V_{REF} \times (OFFSET_DAC_CODE/2^{16})) + DUTGND$$

where:

V_{REF} is the reference voltage and is in the range of 2 V to 5 V. $X2$ is the calculated DAC code value and is in the range of 0 to 65,535 (see the Gain and Offset Registers section). $OFFSET_DAC_CODE$ is the code loaded to the offset DAC. It is multiplied by 3.5 in the transfer function. On power-up, the default code loaded to the offset DAC is 0xA492; with a 5 V reference, this gives a span of ± 11.25 V.

OFFSET DAC

The AD5522 is capable of forcing a 22.5 V ($4.5 \times V_{REF}$) voltage span. Included on chip is one 16-bit offset DAC (one for all four channels) that allows for adjustment of the voltage range.

The usable range is -16.25 V to $+22.5$ V. Zero scale loaded to the offset DAC gives a full-scale range of 0 V to 22.5 V, midscale gives ± 11.25 V, and the most useful negative range is -16.25 V to $+6.25$ V. Full scale loaded to the offset DAC does not give a useful output voltage range, because the output amplifiers are limited by the available foot room. Table 13 shows the effect of the offset DAC on the other DACs in the device.

Table 13. Relationship of Offset DAC to Other DACs
($V_{REF} = 5$ V)

| Offset DAC Code | DAC Code | DAC Output Voltage (V) |
|-----------------|----------|------------------------|
| 0 | 0 | 0 |
| | 32,768 | +11.25 |
| | 65,535 | +22.50 |
| 32,768 | 0 | -8.75 |
| | 32,768 | +2.50 |
| | 65,535 | +13.75 |
| 42,130 | 0 | -11.25 |
| | 32,768 | 0 |
| | 65,535 | +11.25 |
| 60,855 | 0 | -16.25 |
| | 32,768 | -5.00 |
| | 65,535 | +6.25 |
| 65,535 | | Foot room limitations |

The power supplies should be selected to support the required range and should take into account amplifier headroom and foot room and sense resistor voltage drop (± 4 V).

Therefore, depending on the headroom available, the input to the force amplifier can be unipolar positive or bipolar, either symmetrical or asymmetrical about DUTGND, but always within a voltage span of 22.5 V.

The offset DAC offsets all DAC functions. It also centers the current range so that zero current always flows at midscale code, regardless of the offset DAC setting.

Rearranging the transfer function for the DAC output gives the following equation to determine which offset DAC code is required for a given reference and output voltage range.

$$OFFSET_DAC_CODE = (2^{16} \times (V_{OUT} - DUTGND)) / (3.5 \times V_{REF}) - ((4.5 \times DAC_CODE) / 3.5)$$

When the output range is adjusted by changing the default value of the offset DAC, an extra offset is introduced due to the gain error of the offset DAC channel. The amount of offset is dependent on the magnitude of the reference and how much the offset DAC channel deviates from its default value. See the Specifications section for this offset. The worst-case offset occurs when the offset DAC channel is at positive or negative full scale. This value can be added to the offset present in the main DAC channel to give an indication of the overall offset for that channel. In most cases, the offset can be removed by programming the C register of the channel with an appropriate value. The extra offset caused by the offset DAC needs to be taken into account only when the offset DAC is changed from its default value.

GAIN AND OFFSET REGISTERS

Each DAC level has an independent gain (M) register and an independent offset (C) register, which allow trimming out of the gain and offset errors of the entire signal chain, including the DAC. All registers in the AD5522 are volatile, so they must be loaded on power-on during a calibration cycle. Data from the X1 register is operated on by a digital multiplier and adder controlled by the contents of the M and C registers. The calibrated DAC data is then stored in the X2 register.

The digital input transfer function for each DAC can be represented as follows:

$$X2 = [(M + 1)/2^n \times X1] + (C - 2^{n-1})$$

where:

$X2$ is the data-word loaded to the resistor-string DAC.

$X1$ is the 16-bit data-word written to the DAC input register.

M is the code in the gain register (default code = $2^{16} - 1$). The M register is 15 bits (D15 to D1, the LSB is a don't care).

C is the code in the offset register (default code = 2^{15}).

n is the DAC resolution ($n = 16$).

The calibration engine is engaged only when data is written to the X1 register and for some PMU writes (see Table 18). The calibration engine is not engaged when data is written to the M or C register. This has the advantage of minimizing the initial setup time of the device. To calculate a result that includes new M or C data, a write to X1 is required.

CACHED X2 REGISTERS

Each DAC has a number of cached X2 registers. These registers store the result of a gain and offset calibration in advance of a mode change. This enables the user to preload registers, allowing the calibration engine to calculate the appropriate X2 value and store it until a change in mode occurs. Because the data is ready and held in the appropriate register, mode changing is as time efficient as possible. If an update occurs to a DAC register set that is currently part of the operating PMU mode, the DAC output is updated immediately (depending on the LOAD condition).

Gain and Offset Registers for the FIN DAC

The force amplifier input (FIN) DAC level contains independent gain and offset control registers that allow the user to digitally trim gain and offset. There are six sets of X1, M, and C registers: one set for the force voltage range and one set for each force current range (four internal current ranges and one external current range). Six X2 registers store the calculated DAC values, ready to load to the DAC register upon a PMU mode change.

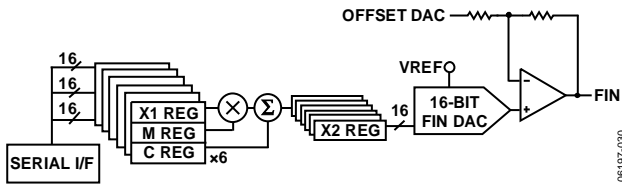


Figure 51. FIN DAC Registers

Gain and Offset Registers for the Comparator DACs

The comparator DAC levels contain independent gain and offset control registers that allow the user to digitally trim gain and offset. There are six sets of X1, M, and C registers: one set for the force voltage mode and one set for each force current range (four internal current ranges and one external current range). In this way, X2 can be preprogrammed, which allows for efficient switching into the required compare mode. Six X2 registers store the calculated DAC values, ready to load to the DAC register upon a PMU mode change.

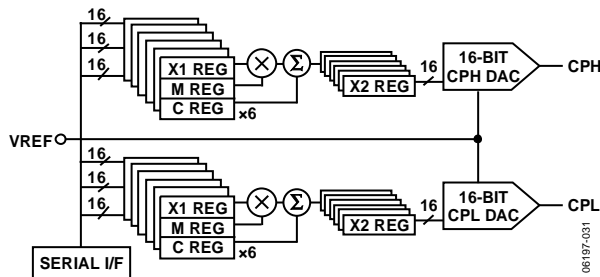


Figure 52. Comparator Registers

Gain and Offset Registers for the Clamp DACs

The clamp DAC levels contain independent gain and offset control registers that allow the user to digitally trim gain and offset. There are two sets of X1, M, and C registers: one set for the force voltage mode and one set for all five current ranges. Two X2 registers store the calculated DAC values, ready to load to the DAC register upon a PMU mode change.

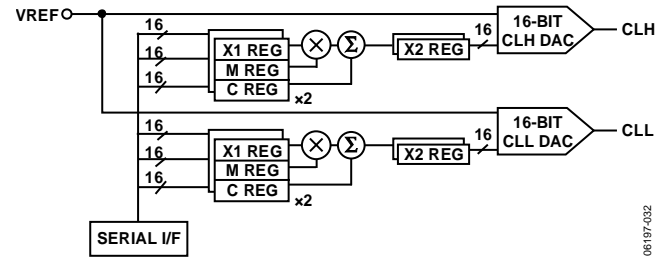


Figure 53. Clamp Registers

REFERENCE VOLTAGE (VREF)

One buffered analog input, VREF, supplies all 21 DACs with the necessary reference voltage to generate the required dc levels.

REFERENCE SELECTION

The voltage applied to the VREF pin determines the output voltage range and span applied to the force amplifier, clamp, and comparator inputs. The AD5522 can be used with a reference input ranging from 2 V to 5 V; however, for most applications, a reference input of 5 V or 2.5 V is sufficient to meet all voltage range requirements. The DAC amplifier gain is 4.5, which gives a DAC output span of 22.5 V. The DACs have gain and offset registers that can be used to trim out system errors.

In addition, the gain register can be used to reduce the DAC output range to the desired force voltage range. The FIN DAC retains 16-bit resolution even with a gain register setting of quarter scale (0x4000). Therefore, from a single 5 V reference, it is possible to obtain a voltage span as high as 22.5 V or as low as 5.625 V.

When using the gain and offset registers, the selected output range should take into account the system gain and offset errors that need to be trimmed out. Therefore, the selected output range should be larger than the actual required range.

When using low supply voltages, ensure that there is sufficient headroom and foot room for the required force voltage range.

Also, the forced current range is the quoted full-scale range only with an applied reference of 5 V (I_{SENSE} amplifier gain = 10) or 2.5 V (I_{SENSE} amplifier gain = 5).

Table 14. References Suggested For Use with AD5522¹

| Part No. | Voltage (V) | Initial Accuracy % | Ref Out TC (ppm/°C) | Ref Output Current (mA) | Supply Voltage Range (V) | Package |
|----------|-------------|--------------------|---------------------|-------------------------|--------------------------|------------|
| ADR435 | 5 | ±0.04 | 1 | 30 | +7 to +18 | MSOP, SOIC |
| ADR445 | 5 | ±0.04 | 1 | 10 | +5.5 to +18 | MSOP, SOIC |
| ADR431 | 2.5 | ±0.04 | 1 | 30 | +4.5 to +18 | MSOP, SOIC |
| ADR441 | 2.5 | ±0.04 | 1 | 10 | +3 to +18 | MSOP, SOIC |

¹ Subset of the possible references suitable for use with the AD5522. Visit www.analog.com for more options.

For other voltage and current ranges, the required reference level can be calculated as follows:

1. Identify the nominal range required.
2. Identify the maximum offset span and the maximum gain required on the full output signal range.
3. Calculate the new maximum output range, including the expected maximum gain and offset errors.
4. Choose the new required V_{OUT_MAX} and V_{OUT_MIN} , keeping the V_{OUT} limits centered on the nominal values. Note that $AVDD$ and $AVSS$ must provide sufficient headroom.
5. Calculate the value of V_{REF} as follows:

$$V_{REF} = (V_{OUT_MAX} - V_{OUT_MIN})/4.5$$

Reference Selection Example

If, given the following conditions:

Nominal output range = 10 V (–2 V to +8 V)

Offset error = ±100 mV

Gain error = ±0.5%

REFGND = AGND = 0 V

Then, with gain error = ±0.5%, the maximum positive gain error = +0.5%, and the output range including gain error = 10 V + 0.005(10 V) = 10.05 V.

With offset error = ±100 mV, the maximum offset error span = 2(100 mV) = 0.2 V, and the output range including gain error and offset error = 10.05 V + 0.2 V = 10.25 V.

To calculate V_{REF} with actual output range = 10.25 V, that is, –2.125 V to +8.125 V (centered),

$$V_{REF} = (8.125 \text{ V} + 2.125 \text{ V})/4.5 = 2.28 \text{ V}$$

If the solution yields an inconvenient reference level, the user can adopt one of the following approaches:

- Use a resistor divider to divide down a convenient, higher reference level to the required level.
- Select a convenient reference level above V_{REF} and modify the gain and offset registers to digitally downsize the reference. In this way, the user can use almost any convenient reference level.
- Use a combination of these two approaches.

In this case, the optimum reference is a 2.5 V reference; the user can use the M and C registers and the offset DAC to achieve the required –2 V to +8 V range. Change the I_{SENSE} amplifier gain to 5 to ensure a full-scale current range of the specified values (see the Current Range Selection section). This gain also allows optimization of power supplies and minimizes power consumption within the device.

It is important to bear in mind when choosing a reference value that values other than 5 V (MI gain = 10) and 2.5 V (MI gain = 5) result in current ranges other than those specified. See the Measure Current Gains section for more details.

CALIBRATION

Calibration involves determining the gain and offset of each channel in each mode and overwriting the default values in the M and C registers of the individual DACs. In some cases (for example, FI mode), the calibration constants, particularly those for gains, may be range dependent.

Reducing Zero-Scale Error

Zero-scale error can be reduced as follows:

1. Set the output to the lowest possible value.
2. Measure the actual output voltage and compare it to the required value. This gives the zero-scale error.
3. Calculate the number of LSBs equivalent to the zero-scale error and add/subtract this number to the default value of the C register.

Reducing Gain Error

Gain error can be reduced as follows:

1. Measure the zero-scale error.
2. Set the output to the highest possible value.
3. Measure the actual output voltage and compare it to the required value. This is the gain error.
4. Calculate the number of LSBs equivalent to the gain error and subtract this number from the default value of the M register. Note that only positive gain error can be reduced.

Calibration Example

Nominal offset coefficient = 32,768

Nominal gain coefficient = 65,535

For example, the gain error = 0.5%, and the offset error = 100 mV.

Gain error (0.5%) calibration:

$$65,535 \times 0.995 = 65,207$$

Therefore, load Code 1111 1110 1011 0111 to the M register.

Offset error (100 mV) calibration:

$$\text{LSB size} = 10.25/65,535 = 156 \mu\text{V}$$

Offset coefficient for 100 mV offset = $100/0.156 = 641$ LSBs

Therefore, load Code 0111 1101 0111 1111 to the C register.

ADDITIONAL CALIBRATION

The techniques described in the Calibration section are usually sufficient to reduce the zero-scale and gain errors. However, there are limitations whereby the errors may not be sufficiently reduced. For example, the offset (C) register can only be used to reduce the offset caused by negative zero-scale error. A positive offset cannot be reduced. Likewise, if the maximum voltage is below the ideal value, that is, a negative gain error, the gain (M) register cannot be used to increase the gain to compensate for the error. These limitations can be overcome by increasing the reference value.

SYSTEM LEVEL CALIBRATION

There are many ways to calibrate the device on power-on.

Following is an example of how to calibrate the FIN DAC of the device without a DUT or DUT board connected.

The calibration procedure for the force and measure circuitry is as follows:

1. Calibrate the force voltage (2 points).
In FV mode, write zero scale to the FIN DAC. Connect SYS_FORCE to FOHx and SYS_SENSE to MEASVHx, and close the internal force/sense switch (SW7).
Using the system PMU, measure the error between the voltage at FOHx/MEASVHx and the desired value. Similarly, load full scale to the FIN DAC and measure the error between the voltage at FOHx/MEASVHx and the desired value. Calculate the M and C values. Load these values to the appropriate M and C registers of the FIN DAC.
2. Calibrate the measure voltage (2 points).
Connect SYS_FORCE to FOHx and SYS_SENSE to MEASVHx, and close the internal force/sense switch (SW7).
Force voltage on FOHx via SYS_FORCE and measure the voltage at MEASOUTx. The difference is the error between the actual forced voltage and the voltage at MEASOUTx.
3. Calibrate the force current (2 points).
In FI mode, write zero scale to the FIN DAC. Connect SYS_FORCE to an external ammeter and to the FOHx pin. Measure the error between the ammeter reading and the MEASOUTx reading. Repeat this step with full scale loaded to the FIN DAC. Calculate the M and C values.
4. Calibrate the measure current (2 points).
In FI mode, write zero scale to the FIN DAC. Connect SYS_FORCE to an external ammeter and to the FOHx pin. Measure the error between the ammeter reading and the MEASOUTx reading. Repeat this step with full scale loaded to the FIN DAC.
5. Repeat this procedure for all four channels.

Similarly, calibrate the comparator and clamp DACs, and load the appropriate gain and offset registers. Calibrating these DACs requires some successive approximation to find where the comparator trips or the clamps engage.

CIRCUIT OPERATION

FORCE VOLTAGE (FV) MODE

Most PMU measurements are performed in force voltage/measure current (FVMI) mode, for example, when the device is used as a device power supply, or in continuity or leakage testing. In force voltage (FV) mode, the voltage forced is mapped directly to the DUT. The measure voltage amplifier completes the loop, giving negative feedback to the forcing amplifier (see Figure 54).

The forced voltage can be calculated as follows:

$$\text{Forced Voltage at DUT} = VOUT$$

$$VOUT = 4.5 \times VREF \times (DAC_CODE/2^{16}) - (3.5 \times VREF \times (OFFSET_DAC_CODE/2^{16})) + DUTGND$$

where:

VOUT is the voltage of the FIN DAC (see the DAC Levels section).

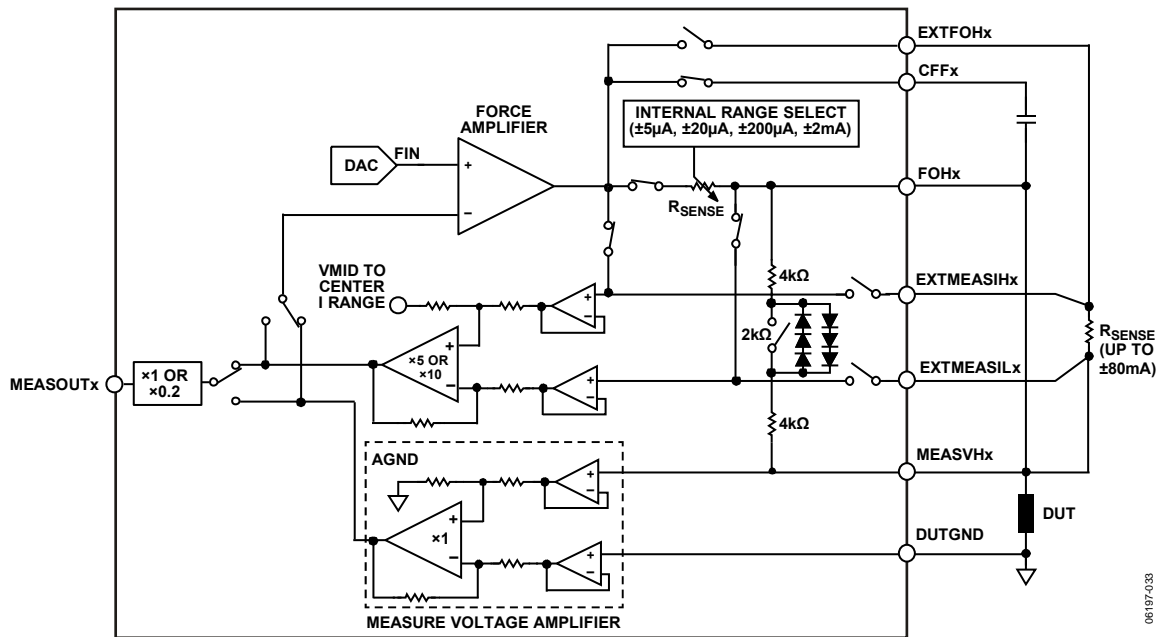


Figure 54. Forcing Voltage, Measuring Current

06197-033

FORCE CURRENT (FI) MODE

In force current (FI) mode, the voltage at the FIN DAC is converted to a current and is applied to the DUT. The feedback path is the measure current amplifier, feeding back the voltage measured across the sense resistor. MEASOUTx reflects the voltage measured across the DUT (see Figure 55).

For the suggested current ranges, the maximum voltage drop across the sense resistors is ±1 V. However, to allow for error correction, there is some overrange available in the current ranges. The maximum full-scale voltage range that can be loaded to the FIN DAC is ±11.5 V. The forced current can be calculated as follows:

$$FI = 4.5 \times VREF \times ((DAC_CODE - 32,768)/2^{16}) / (R_{SENSE} \times MI_Amplifier_Gain)$$

where:

FI is the forced current.

R_{SENSE} is the selected sense resistor.

MI_Amplifier_Gain is the gain of the measure current instrumentation amplifier. This gain can be set to 5 or 10 via the serial interface.

The *I_{SENSE}* amplifier is biased by the offset DAC output voltage in such a way as to center the measure current output regardless of the voltage span used.

In the ±200 µA range with the 5 kΩ sense resistor and an *I_{SENSE}* gain of 10, the maximum current range possible is ±225 µA. Similarly, for the other current ranges, there is an overrange of 12.5% to allow for error correction.

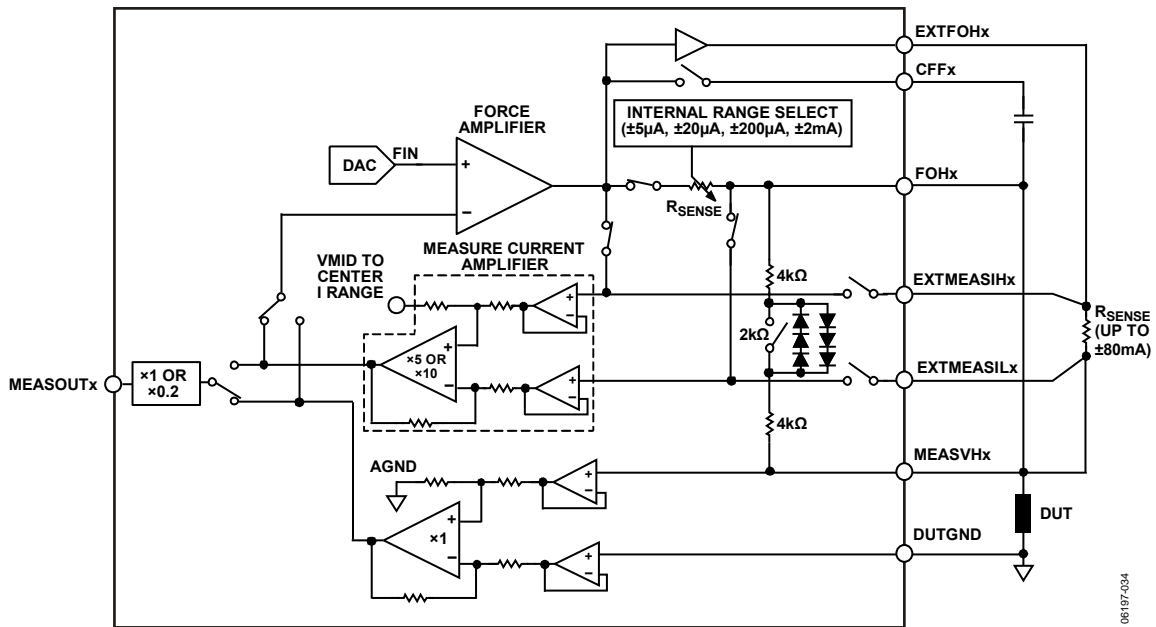


Figure 55. Forcing Current, Measuring Voltage

06197-034

SERIAL INTERFACE

The AD5522 provides two high speed serial interfaces: an SPI-compatible interface operating at clock frequencies up to 50 MHz and an EIA-644-compliant LVDS interface. To minimize both the power consumption of the device and the on-chip digital noise, the serial interface powers up fully only when the device is being written to, that is, on the falling edge of SYNC.

SPI INTERFACE

The serial interface operates from a 2.3 V to 5.25 V DVCC supply range. The SPI interface is selected when the SPI/LVDS pin is held low. It is controlled by four pins, as described in Table 15.

Table 15. Pins That Control the SPI Interface

| Pin | Description |
|------|--|
| SYNC | Frame synchronization input |
| SDI | Serial data input pin |
| SCLK | Clocks data in and out of the device |
| SDO | Serial data output pin for data readback (weak SDO output driver, may require reduction in SCLK frequency to correctly read back, see Table 2) |

LVDS INTERFACE

The LVDS interface uses the same input pins, with the same designations, as the SPI interface. In addition, four other pins are provided for the complementary signals needed for differential operation, as described in Table 16.

Table 16. Pins That Control the LVDS Interface

| Pin | Description |
|------|--|
| SYNC | Differential frame synchronization signal |
| SYNC | Differential frame synchronization signal (complement) |
| SDI | Differential serial data input |
| SDI | Differential serial data input (complement) |
| SCLK | Differential serial clock input |
| SCLK | Differential serial clock input (complement) |
| SDO | Differential serial data output for data readback |
| SDO | Differential serial data output for data readback (complement) |

SERIAL INTERFACE WRITE MODE

The AD5522 allows writing of data via the serial interface to every register directly accessible to the serial interface, that is, all registers except the DAC registers.

The serial word is 29 bits long. The serial interface works with both a continuous and a burst (gated) serial clock. Serial data applied to SDI is clocked into the AD5522 by clock pulses applied to SCLK. The first falling edge of SYNC starts the write cycle. At least 29 falling clock edges must be applied to SCLK to clock in 29 bits of data before SYNC is taken high again.

The input register addressed is updated on the rising edge of SYNC. For another serial transfer to take place, SYNC must be taken low again.

The shift register can accept longer words (for example, 32-bit words), framed by SYNC, but the data should always be in the 29th LSB positions.

RESET FUNCTION

Bringing the level-sensitive RESET line low resets the contents of all internal registers to their power-on reset state (see the Power-On Default section). This sequence takes approximately 600 μ s. BUSY goes low for the duration, returning high when RESET is brought high again and the initialization is complete. While BUSY is low, all interfaces are disabled. When BUSY returns high, normal operation resumes, and the status of the RESET pin is ignored until it goes low again. The SDO output is high impedance during a power-on reset or a RESET. A power-on reset functions the same way as RESET.

BUSY AND LOAD FUNCTIONS

The BUSY pin is an open-drain output that indicates the status of the AD5522 interface. When writing to any register, BUSY goes low and stays low until the command completes.

A write operation to a DAC X1 register and some PMU register bits (see Table 18) drives the BUSY signal low for longer than a write M, C, or system control register. For DACs, the value of the internal cached (X2) data is calculated and stored each time that the user writes new data to the corresponding X1 register. During the calculation and writing of X2, the BUSY output is driven low. While BUSY is low, the user can continue writing new data to the any register, but this write should not be completed with SYNC going high until BUSY returns high (see Figure 56 and Figure 57).

X2 values are stored and held until a PMU word is written that calls the appropriate cached X2 register. Only then is a DAC output updated.

The DAC outputs and PMU modes are updated by taking the LOAD input low. If LOAD goes low while BUSY is active, the LOAD event is stored and the DAC outputs or PMU modes are updated immediately after BUSY goes high. A user can also hold the LOAD input permanently low. In this case, the DAC outputs or PMU modes are updated immediately after BUSY goes high.

The BUSY pin is bidirectional and has a 50 k Ω internal pull-up resistor. When multiple AD5522 devices are used in one system, the BUSY pins can be tied together. This is useful when it is required that no DAC or PMU in any device be updated until all others are ready to be updated. When each device finishes updating its X2 registers, it releases the BUSY pin. If another device has not finished updating its X2 registers, it holds BUSY low, thus delaying the effect of LOAD going low.

Because there is only one calibration engine shared among four channels, the task of calculating X2 values must be done sequentially, so that the length of the $\overline{\text{BUSY}}$ pulse varies according to the number of channels being updated. Following any register update, including multiple channel updates, subsequent writes should either be timed or should wait until $\overline{\text{BUSY}}$ returns high (see Figure 56). If subsequent writes are presented before the calibration engine completes the first stage of the last Channel X2 calculation, data may be lost.

$\overline{\text{BUSY}}$ also goes low during a power-on reset and when a falling edge is detected on the RESET pin.

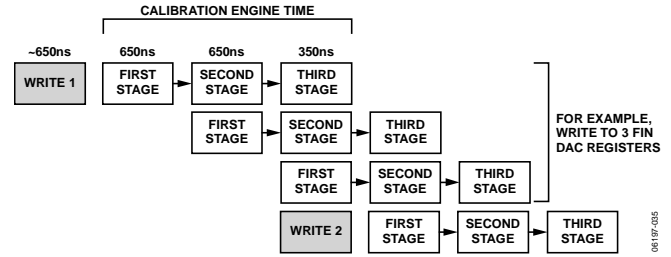


Figure 56. Multiple Writes to DAC X1 Registers

Table 17. $\overline{\text{BUSY}}$ Pulse Widths

| Action | $\overline{\text{BUSY}}$ Pulse Width ¹ |
|---|---|
| Loading Data to System Control Register, or Readback ² | 0.27 μs maximum |
| Loading X1 to 1 PMU DAC Channel | 1.65 μs maximum |
| Loading X1 to 2 PMU DAC Channels | 2.3 μs maximum |
| Loading X1 to 3 PMU DAC Channels | 2.95 μs maximum |
| Loading X1 to 4 PMU DAC Channels | 3.6 μs maximum |

¹ $\overline{\text{BUSY}}$ pulse width = ((number of channels + 1) \times 650 ns) + 350 ns.

² Refer to Table 18 for details of PMU register effect on $\overline{\text{BUSY}}$ pulse width.

Writing data to the system control register, some PMU control bits (see Table 18), the M register, and the C register do not involve the digital calibration engine, thus speeding up configuration of the device on power-on. However, care should be taken not to issue these commands while $\overline{\text{BUSY}}$ is low, as previously described.

Table 18. $\overline{\text{BUSY}}$ Pulse Widths for PMU Register Updates

| PMU Register Update (See Table 26) | | Maximum $\overline{\text{BUSY}}$ Low Time per Channel Update | | | |
|------------------------------------|--|--|-------------------|--------------------|-------------------|
| Bit | Bit Name | One Channel | Two Channels | Three Channels | Four Channels |
| 21 | CH EN | 270 ns | | | |
| 20, 19 | FORCE1, FORCE0 (depends on mode change) | 270 ns | | | |
| | Transition From | Transition To | | | |
| | High-Z FOHx current (11) | Force current (01) | | | |
| | High-Z FOHx current (11) | Force voltage (00) | | | |
| | High-Z FOHx current (11) | 1.65 μs | 2.3 μs | 2.95 μs | 3.6 μs |
| | High-Z FOHx current (11) | 1.65 μs | 2.3 μs | 2.95 μs | 3.6 μs |
| | Force current (01) | High-Z FOHx current (11) | | | |
| | Force current (01) | High-Z FOHx voltage (10) | | | |
| | Force current (01) | 1.65 μs | 2.3 μs | 2.95 μs | 3.6 μs |
| | Force current (01) | 1.65 μs | 2.3 μs | 2.95 μs | 3.6 μs |
| | High-Z FOHx voltage (10) | Force voltage (00) | | | |
| | High-Z FOHx voltage (10) | Force current (01) | | | |
| | High-Z FOHx voltage (10) | 1.65 μs | 2.3 μs | 2.95 μs | 3.6 μs |
| | High-Z FOHx voltage (10) | 1.65 μs | 2.3 μs | 2.95 μs | 3.6 μs |
| | Force voltage (00) | High-Z FOHx voltage (10) | | | |
| | Force voltage (00) | High-Z FOHx current (11) | | | |
| | Force voltage (00) | 1.65 μs | 2.3 μs | 2.95 μs | 3.6 μs |
| | Force voltage (00) | 1.65 μs | 2.3 μs | 2.95 μs | 3.6 μs |
| 17, 16, 15 | C2 to C0; current range selection (any range change) | 1.65 μs | 2.3 μs | 2.95 μs | 3.6 μs |
| 14, 13 | MEASx (measure mode selection) | 270 ns | | | |
| 12 | FIN | 270 ns | | | |
| 11 | SFO | 270 ns | | | |
| 10 | SS0 | 270 ns | | | |
| 9 | CL | 270 ns | | | |
| 8 | CPOLH | 270 ns | | | |
| 7 | Compare V/I | 1.65 μs | 2.3 μs | 2.95 μs | 3.6 μs |
| 6 | Clear | 270 ns | | | |

REGISTER UPDATE RATES

The value of the X2 register is calculated each time the user writes new data to the corresponding X1 register and for some PMU register updates. The calculation is performed in a three-stage process. The first two stages take approximately 650 ns each, and the third stage takes approximately 350 ns. When the write to the X1 register is complete, the calculation process begins. If the write operation involves the update of a single DAC channel, the user is free to write to another X1 register, provided that the write operation does not finish (SYNC returns high) until after the first-stage calculation is complete, that is, 650 ns after the completion of the first write operation.

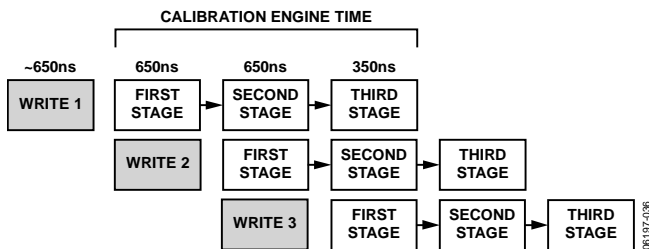


Figure 57. Multiple Single-Channel Writes Engaging the Calibration Engine

REGISTER SELECTION

The serial word assignment consists of 29 bits. Bit 28 to Bit 22 are common to all registers, whether writing to or reading from the device. The PMU3 to PMU0 data bits (Bit 27 to Bit 24) address each PMU channel (or associated DAC register). When the PMU3 to PMU0 bits are all 0s, the system control register is addressed.

The mode bits, MODE0 and MODE1, address the different sets of DAC registers and the PMU register.

Table 19. Mode Bits

| B23 MODE1 | B22 MODE0 | Action |
|--------------|--------------|--|
| 0 | 0 | Write to the system control register or the PMU register |
| 0 | 1 | Write to the DAC gain (M) register |
| 1 | 0 | Write to the DAC offset (C) register |
| 1 | 1 | Write to the DAC input data (X1) register |

Readback Control, RD/ \overline{WR}

Setting the RD/ \overline{WR} bit (Bit 28) high initiates a readback sequence of the PMU, alarm status, comparator status, system control, or DAC register, as determined by the address bits.

PMU Address Bits: PMU3, PMU2, PMU1, PMU0

The PMU3 to PMU0 data bits (Bit 27 to Bit 24) address each PMU channel on chip. These bits allow individual control of each PMU channel or any combination of channels, in addition to multichannel programming. PMU bits also allow access to write registers such as the system control register and the DAC registers, in addition to reading from all the registers (see Table 20).

NOP (No Operation)

If an NOP (no operation) command is loaded, no change is made to the DAC or PMU registers. This code is useful when performing a readback of a register within the device (via the SDO pin) where a change of DAC code or PMU function may not be required.

Reserved Commands

Any bit combination that is not described in the register address tables for the PMU, DAC, and system control registers indicates a reserved command. These commands are unassigned and are reserved for factory use. To ensure correct operation of the device, do not use reserved commands.

All codes not explicitly referenced in this table are reserved and should not be used (see Table 29).

Table 20. Read and Write Functions of the AD5522

| B28 | B27 | B26 | B25 | B24 | B23 | B22 | B21 to B0 | Selected Channel | | | |
|---|------|------|------|------|---|-------|---|---|-----|-----|-----|
| RD/WR | PMU3 | PMU2 | PMU1 | PMU0 | MODE1 | MODE0 | Data bits | CH3 | CH2 | CH1 | CH0 |
| Write Functions | | | | | | | | | | | |
| 0 | 0 | 0 | 0 | 0 | 0 | 0 | Data bits | Write to system control register (see Table 23) | | | |
| 0 | 0 | 0 | 0 | 0 | 0 | 1 | Data bits | Reserved | | | |
| 0 | 0 | 0 | 0 | 0 | 1 | 0 | Data bits | Reserved | | | |
| 0 | 0 | 0 | 0 | 0 | 1 | 1 | All 1s | NOP (no operation) | | | |
| 0 | 0 | 0 | 0 | 0 | 1 | 1 | Data bits other than all 1s | Reserved | | | |
| Write Addressed DAC or PMU Register | | | | | | | | | | | |
| 0 | 0 | 0 | 0 | 1 | Select DAC or PMU register (see Table 19) | | Address and data bits | | | | CH0 |
| 0 | 0 | 0 | 1 | 0 | | | | | | | CH1 |
| 0 | 0 | 0 | 1 | 1 | | | | | | | CH1 |
| 0 | 0 | 1 | 0 | 0 | | | | | | | CH2 |
| 0 | 0 | 1 | 0 | 1 | | | | | | | CH2 |
| 0 | 0 | 1 | 1 | 0 | | | | | | | CH2 |
| 0 | 0 | 1 | 1 | 1 | | | | | | | CH2 |
| 0 | 1 | 0 | 0 | 0 | | | | | | | CH3 |
| 0 | 1 | 0 | 0 | 1 | | | | | | | CH3 |
| 0 | 1 | 0 | 1 | 0 | | | | | | | CH3 |
| 0 | 1 | 0 | 1 | 1 | | | | | | | CH3 |
| 0 | 1 | 1 | 0 | 0 | | | | | | | CH3 |
| 0 | 1 | 1 | 0 | 1 | | | | | | | CH3 |
| 0 | 1 | 1 | 1 | 0 | | | | | | | CH3 |
| 0 | 1 | 1 | 1 | 1 | | | | | | | CH3 |
| Read Functions | | | | | | | | | | | |
| 1 | 0 | 0 | 0 | 0 | 0 | 0 | All 0s | Read from system control register | | | |
| 1 | 0 | 0 | 0 | 0 | 0 | 1 | All 0s | Read from comparator status register | | | |
| 1 | 0 | 0 | 0 | 0 | 1 | 0 | X (don't care) | Reserved | | | |
| 1 | 0 | 0 | 0 | 0 | 1 | 1 | All 0s | Read from alarm status register | | | |
| Read Addressed DAC or PMU Register (Only One PMU or DAC Register Can Be Read at One Time) | | | | | | | | | | | |
| 1 | 0 | 0 | 0 | 1 | Select PMU or DAC register (see Table 19) | | All 0s if reading PMU registers; DAC address plus all 0s if reading a DAC register DAC address (see Table 29) | CH3 | CH2 | CH1 | CH0 |
| 1 | 0 | 0 | 1 | 0 | | | | | | | CH0 |
| 1 | 0 | 1 | 0 | 0 | | | | | | | CH0 |
| 1 | 1 | 0 | 0 | 0 | | | | | | | CH0 |

WRITE SYSTEM CONTROL REGISTER

The system control register is accessed when the PMU channel address bits (PMU3 to PMU0) and the mode bits (MODE1 and MODE0) are all 0s. This register allows quick setup of various

functions in the device. The system control register operates on a per-device basis.

Table 21. System Control Register Bits—Bit B28 to Bit B15

| B28 | B27 | B26 | B25 | B24 | B23 | B22 | B21 | B20 | B19 | B18 | B17 | B16 | B15 |
|-------|------|------|------|------|-------|-------|-----|-----|-----|-----|--------|--------|--------|
| RD/WR | PMU3 | PMU2 | PMU1 | PMU0 | MODE1 | MODE0 | CL3 | CL2 | CL1 | CL0 | CPOLH3 | CPOLH2 | CPOLH1 |

Table 22. System Control Register Bits—Bit B14 to Bit B0

| B14 | B13 | B12 | B11 | B10 | B9 | B8 | B7 | B6 | B5 | B4 | B3 | B2 | B1 ¹ | B0 ¹ |
|--------|----------|-----------|-----------|-----------|--------|----------|-------|-------|------------|------|------|---------|-----------------|-----------------|
| CPOLH0 | CPBIASEN | DUTGND/CH | Guard ALM | Clamp ALM | INT10K | Guard EN | GAIN1 | GAIN0 | TMP enable | TMP1 | TMP0 | Latched | 0 | 0 |

¹ Bit B1 and Bit B0 are unused data bits.

Table 23. System Control Register Functions

| Bit | Bit Name | Description |
|----------------------|------------------------------|--|
| 28 (MSB) | RD/WR | When low, a write function takes place to the selected register; setting the RD/WR bit high initiates a readback sequence of the PMU, alarm status, comparator status, system control, or DAC register, as determined by the address bits. |
| 27 26 25 24 | PMU3 PMU2 PMU1 PMU0 | Set Bit PMU3 to Bit PMU0 to 0 to address the system control register. |
| 23 22 | MODE1 MODE0 | Set the MODE1 and MODE0 bits to 0 to address the system control register. |

System Control Register-Specific Bits

| | | |
|----------------------|--------------------------------------|---|
| 21 20 19 18 | CL3 CL2 CL1 CL0 | Current or voltage clamp enable. Bit CL3 to Bit CL0 enable and disable the current or voltage clamp function per channel (0 = disable; 1 = enable). The clamp enable function is also available in the PMU register on a per-channel basis. This dual functionality allows flexible enabling or disabling of this function. When reading back information about the status of the clamp enable function, the data that was most recently written to the clamp register is available in the readback word from either the PMU register or the system control register. |
| 17 16 15 14 | CPOLH3 CPOLH2 CPOLH1 CPOLH0 | Comparator output enable. By default, the comparator outputs are high-Z on power-on. A 1 in each bit position enables the comparator output for the selected channel. Bit 13 (CPBIASEN) must be enabled to power on the comparator functions. The comparator enable function is also available in the PMU register on a per-channel basis. This dual functionality allows flexible enabling or disabling of this function. When reading back information about the status of the comparator enable function, the data that was most recently written to the comparator status register is available in the readback word from either the PMU register or the system control register. |
| 13 | CPBIASEN | Comparator enable. By default, the comparators are powered down when the device is powered on. To enable the comparator function for all channels, write a 1 to this bit. A 0 disables the comparators and shuts them down. The comparator output enable bits (CPOLHx, Bit 17 to Bit 14) allow the user to turn on each comparator output individually, enabling busing of comparator outputs. |
| 12 | DUTGND/CH | DUTGND per channel enable. The GUARDINx/DUTGNDx pins are shared pins that can be configured to enable a DUTGND per PMU channel or a guard input per PMU channel. Setting this bit to 1 enables DUTGND per channel. In this mode, the pin functions as a DUTGND pin on a per-channel basis. The guard inputs are disconnected from this pin and instead are connected directly to the MEASVHx line by an internal connection. The default power-on condition is GUARDINx. |
| 11 10 | GUARD ALM CLAMP ALM | Clamp and guard alarm functions share one open-drain alarm pin (CGALM). By default, the CGALM pin is disabled. The guard ALM and clamp ALM bits allow the user to choose whether clamp alarm information, guard alarm information, or both sets of alarm information are flagged by the CGALM pin. Set high to enable either alarm function. |
| 9 | INT10K | Internal sense short. Setting this bit high allows the user to connect an internal sense short resistor of 10 kΩ (4 kΩ + 2 kΩ switch + 4 kΩ) between the FOHx and the MEASVHx lines (SW7 is closed). Setting this bit high also closes SW15, allowing the user to connect another 10 kΩ resistor between DUTGNDx and AGND. |
| 8 | Guard EN | Guard enable. The guard amplifier is disabled on power-on; to enable the guard amplifier, set this bit to 1. If the guard function is not in use, disabling it saves power (typically 400 μA per channel). |

| Bit | Bit Name | Description | | | | | | | | | | | | | | | | | | | | | | | | | | | | |
|------------------|----------------------|--|---|----------------------|--|--------|-----------------------------|-------------------------------|----|----------------------------|-------------------------------------|--------------|----------------|---------------------------|--|--------------|----------------|---|---|---------------|---|--|---|---|---|--|---|---|---|--|
| 7 6 | GAIN1 GAIN0 | <p>MEASOUTx output range. The MEASOUTx range defaults to the force voltage span for voltage and current measurements, which includes some overrange to allow for offset correction. The nominal output voltage range is ± 11.25 V with the default offset DAC setting, but changes for other offset DAC settings when GAIN1 = 0. Therefore, the MEASOUTx range can be an asymmetrical bipolar voltage range. GAIN1 = 1 enables a unipolar output voltage range, which allows the use of asymmetrical supplies or a smaller input range ADC. See Table 10 and Table 11 for more details.</p> <table border="1"> <thead> <tr> <th rowspan="2">MEASOUT Function</th> <th rowspan="2">Measure Current Gain</th> <th colspan="2">Output Voltage Range for VREF = 5 V, Offset DAC = 0xA492</th> </tr> <tr> <th>GAIN1 = 0, MEASOUT Gain = 1</th> <th>GAIN1 = 1, MEASOUT Gain = 0.2</th> </tr> </thead> <tbody> <tr> <td>MV</td> <td>5 or 10</td> <td>$\pm V_{DUT}$ (up to ± 11.25 V)</td> <td>0 V to 4.5 V</td> </tr> <tr> <td>MI (GAIN0 = 0)</td> <td>10</td> <td>$\pm I_{DUT} \times R_{RSENSE} \times 10 + VMID$ (up to ± 11.25 V)</td> <td>0 V to 4.5 V</td> </tr> <tr> <td>MI (GAIN0 = 1)</td> <td>5</td> <td>$\pm I_{DUT} \times R_{RSENSE} \times 5 + VMID$ (up to ± 5.625 V)</td> <td>0 V to 2.25 V</td> </tr> </tbody> </table> | MEASOUT Function | Measure Current Gain | Output Voltage Range for VREF = 5 V, Offset DAC = 0xA492 | | GAIN1 = 0, MEASOUT Gain = 1 | GAIN1 = 1, MEASOUT Gain = 0.2 | MV | 5 or 10 | $\pm V_{DUT}$ (up to ± 11.25 V) | 0 V to 4.5 V | MI (GAIN0 = 0) | 10 | $\pm I_{DUT} \times R_{RSENSE} \times 10 + VMID$ (up to ± 11.25 V) | 0 V to 4.5 V | MI (GAIN0 = 1) | 5 | $\pm I_{DUT} \times R_{RSENSE} \times 5 + VMID$ (up to ± 5.625 V) | 0 V to 2.25 V | | | | | | | | | | |
| MEASOUT Function | Measure Current Gain | Output Voltage Range for VREF = 5 V, Offset DAC = 0xA492 | | | | | | | | | | | | | | | | | | | | | | | | | | | | |
| | | GAIN1 = 0, MEASOUT Gain = 1 | GAIN1 = 1, MEASOUT Gain = 0.2 | | | | | | | | | | | | | | | | | | | | | | | | | | | |
| MV | 5 or 10 | $\pm V_{DUT}$ (up to ± 11.25 V) | 0 V to 4.5 V | | | | | | | | | | | | | | | | | | | | | | | | | | | |
| MI (GAIN0 = 0) | 10 | $\pm I_{DUT} \times R_{RSENSE} \times 10 + VMID$ (up to ± 11.25 V) | 0 V to 4.5 V | | | | | | | | | | | | | | | | | | | | | | | | | | | |
| MI (GAIN0 = 1) | 5 | $\pm I_{DUT} \times R_{RSENSE} \times 5 + VMID$ (up to ± 5.625 V) | 0 V to 2.25 V | | | | | | | | | | | | | | | | | | | | | | | | | | | |
| 5 | TMP ENABLE | Thermal shutdown feature. To disable the thermal shutdown feature, set the TMP ENABLE bit to 0 (thermal shutdown is enabled by default). | | | | | | | | | | | | | | | | | | | | | | | | | | | | |
| 4 3 | TMP1 TMP0 | <p>The TMP1 and TMP0 bits allow the user to program the temperature that triggers thermal shutdown.</p> <table border="1"> <thead> <tr> <th>TMP ENABLE</th> <th>TMP1</th> <th>TMP0</th> <th>Action</th> </tr> </thead> <tbody> <tr> <td>0</td> <td>X</td> <td>X</td> <td>Thermal shutdown disabled.</td> </tr> <tr> <td>1</td> <td>X</td> <td>X</td> <td>Thermal shutdown enabled.</td> </tr> <tr> <td>1</td> <td>0</td> <td>0</td> <td>Shutdown at junction temperature of 130°C (power-on default).</td> </tr> <tr> <td>1</td> <td>0</td> <td>1</td> <td>Shutdown at junction temperature of 120°C.</td> </tr> <tr> <td>1</td> <td>1</td> <td>0</td> <td>Shutdown at junction temperature of 110°C.</td> </tr> <tr> <td>1</td> <td>1</td> <td>1</td> <td>Shutdown at junction temperature of 100°C.</td> </tr> </tbody> </table> | TMP ENABLE | TMP1 | TMP0 | Action | 0 | X | X | Thermal shutdown disabled. | 1 | X | X | Thermal shutdown enabled. | 1 | 0 | 0 | Shutdown at junction temperature of 130°C (power-on default). | 1 | 0 | 1 | Shutdown at junction temperature of 120°C. | 1 | 1 | 0 | Shutdown at junction temperature of 110°C. | 1 | 1 | 1 | Shutdown at junction temperature of 100°C. |
| TMP ENABLE | TMP1 | TMP0 | Action | | | | | | | | | | | | | | | | | | | | | | | | | | | |
| 0 | X | X | Thermal shutdown disabled. | | | | | | | | | | | | | | | | | | | | | | | | | | | |
| 1 | X | X | Thermal shutdown enabled. | | | | | | | | | | | | | | | | | | | | | | | | | | | |
| 1 | 0 | 0 | Shutdown at junction temperature of 130°C (power-on default). | | | | | | | | | | | | | | | | | | | | | | | | | | | |
| 1 | 0 | 1 | Shutdown at junction temperature of 120°C. | | | | | | | | | | | | | | | | | | | | | | | | | | | |
| 1 | 1 | 0 | Shutdown at junction temperature of 110°C. | | | | | | | | | | | | | | | | | | | | | | | | | | | |
| 1 | 1 | 1 | Shutdown at junction temperature of 100°C. | | | | | | | | | | | | | | | | | | | | | | | | | | | |
| 2 | Latched | Configure the open-drain pin (\overline{CGALM}) as a latched or unlatched output pin. When high, this bit configures the \overline{CGALM} alarm output as a latched output, allowing it to drive a controller I/O without needing to poll the line constantly. The power-on default for this pin is unlatched. | | | | | | | | | | | | | | | | | | | | | | | | | | | | |
| 1 0 (LSB) | 0 0 | Unused bits. Set to 0. | | | | | | | | | | | | | | | | | | | | | | | | | | | | |

WRITE PMU REGISTER

To address PMU functions, set the MODE1 and MODE0 bits to 0. This setting selects the PMU register (see Table 19 and Table 20). The AD5522 has very flexible addressing, which allows writing of data to a single PMU channel, any

combination of PMU channels, or all PMU channels. This functionality enables multipin broadcasting to similar pins on a DUT. Bit 27 to Bit 24 select the PMU or group of PMUs that is addressed.

Table 24. PMU Register Bits—Bit B28 to Bit B15

| B28 | B27 | B26 | B25 | B24 | B23 | B22 | B21 | B20 | B19 | B18 ¹ | B17 | B16 | B15 |
|-------|------|------|------|------|-------|-------|-------|--------|--------|------------------|-----|-----|-----|
| RD/WR | PMU3 | PMU2 | PMU1 | PMU0 | MODE1 | MODE0 | CH EN | FORCE1 | FORCE0 | 0 | C2 | C1 | C0 |

¹ Bit B18 is reserved.

Table 25. PMU Register Bits—Bit B14 to Bit B0

| B14 | B13 | B12 | B11 | B10 | B9 | B8 | B7 | B6 | B5 ¹ | B4 ¹ | B3 ¹ | B2 ¹ | B1 ¹ | B0 ¹ |
|-------|-------|-----|-----|-----|----|-------|-------------|-------|-----------------|-----------------|-----------------|-----------------|-----------------|-----------------|
| MEAS1 | MEAS0 | FIN | SF0 | SS0 | CL | CPOLH | Compare V/I | Clear | 0 | 0 | 0 | 0 | 0 | 0 |

¹ Bit B5 to Bit B0 are unused data bits.

Table 26. PMU Register Functions

| Bit | Bit Name | Description |
|----------------------|------------------------------|---|
| 28 (MSB) | RD/WR | When low, a write to the selected register takes place; setting the RD/WR bit high initiates a readback sequence of the PMU, alarm status, comparator status, system control, or DAC register, as determined by the address bits. |
| 27 26 25 24 | PMU3 PMU2 PMU1 PMU0 | Bit PMU3 to Bit PMU0 address each PMU channel in the device. These bits allow control of an individual PMU channel or any combination of channels, in addition to multichannel programming (see Table 20). |
| 23 22 | MODE1 MODE0 | Set the MODE1 and MODE0 bits to 0 to access the PMU register selected by the PMU3 to PMU0 bits (Bit 27 to Bit 24). |

PMU Register-Specific Bits

| 21 | CH EN | Channel enable. Set high to enable the selected channel or group of channels; set low to disable the selected channel or channels. When disabled, SW2 is closed and SW5 is open (outputs are high-Z). The measure mode is determined by the MEAS1 and MEAS0 bits at all times and is not affected by the CH EN bit. The guard amplifier and the comparators are not affected by this bit. | | | | | | | | | | | | | | | | | | | | | | | | | | | | | | | | | | | | |
|----------------|------------------|---|---|--------|--------|------------------------|---|---|---|----------------------|---|---|---|--|---|---|--|------------------------|---|---|---|--------------------------------|---|---|---|--------------------------|---|---|---|---|---|---|---|--|---|---|---|-----------|
| 20 19 | FORCE1 FORCE0 | <p>The FORCE1 and FORCE0 bits set the force function for each PMU channel (in association with the PMUx bits). All combinations of forcing and measuring (using the MEAS1 and MEAS0 bits) are available. The high-Z (voltage and current) modes allow the user to optimize glitch response during mode changes. While in high-Z voltage or current mode, with the PMU high-Z, new X1 codes loaded to the FIN DAC register and to the clamp DAC register are calibrated, stored in the X2 register, and loaded directly to the DAC outputs.</p> <table border="1"> <thead> <tr> <th>FORCE1</th> <th>FORCE0</th> <th>Action</th> </tr> </thead> <tbody> <tr> <td>0</td> <td>0</td> <td>FV and current clamp (if clamp is enabled).</td> </tr> <tr> <td>0</td> <td>1</td> <td>FI and voltage clamp (if clamp is enabled).</td> </tr> <tr> <td>1</td> <td>0</td> <td>High-Z FOHx voltage (preload FIN DAC and clamp DAC).</td> </tr> <tr> <td>1</td> <td>1</td> <td>High-Z FOHx current (preload FIN DAC and clamp DAC).</td> </tr> </tbody> </table> | FORCE1 | FORCE0 | Action | 0 | 0 | FV and current clamp (if clamp is enabled). | 0 | 1 | FI and voltage clamp (if clamp is enabled). | 1 | 0 | High-Z FOHx voltage (preload FIN DAC and clamp DAC). | 1 | 1 | High-Z FOHx current (preload FIN DAC and clamp DAC). | | | | | | | | | | | | | | | | | | | | | |
| FORCE1 | FORCE0 | Action | | | | | | | | | | | | | | | | | | | | | | | | | | | | | | | | | | | | |
| 0 | 0 | FV and current clamp (if clamp is enabled). | | | | | | | | | | | | | | | | | | | | | | | | | | | | | | | | | | | | |
| 0 | 1 | FI and voltage clamp (if clamp is enabled). | | | | | | | | | | | | | | | | | | | | | | | | | | | | | | | | | | | | |
| 1 | 0 | High-Z FOHx voltage (preload FIN DAC and clamp DAC). | | | | | | | | | | | | | | | | | | | | | | | | | | | | | | | | | | | | |
| 1 | 1 | High-Z FOHx current (preload FIN DAC and clamp DAC). | | | | | | | | | | | | | | | | | | | | | | | | | | | | | | | | | | | | |
| 18 | Reserved | 0 | | | | | | | | | | | | | | | | | | | | | | | | | | | | | | | | | | | | |
| 17 16 15 | C2 C1 C0 | <p>Bit C2 to Bit C0 specify the required current range. High-Z FV/FI commands ignore the current range address bits (C2, C1, and C0); therefore, these bit combinations cannot be used to enable or disable the force function for a PMU channel.</p> <table border="1"> <thead> <tr> <th>C2</th> <th>C1</th> <th>C0</th> <th>Selected Current Range</th> </tr> </thead> <tbody> <tr> <td>0</td> <td>0</td> <td>0</td> <td>±5 µA current range.</td> </tr> <tr> <td>0</td> <td>0</td> <td>1</td> <td>±20 µA current range.</td> </tr> <tr> <td>0</td> <td>1</td> <td>0</td> <td>±200 µA current range.</td> </tr> <tr> <td>0</td> <td>1</td> <td>1</td> <td>±2 mA current range (default).</td> </tr> <tr> <td>1</td> <td>0</td> <td>0</td> <td>±external current range.</td> </tr> <tr> <td>1</td> <td>0</td> <td>1</td> <td>Disable the always on mode for the external current range buffer¹.</td> </tr> <tr> <td>1</td> <td>1</td> <td>0</td> <td>Enable the always on mode for the external current range buffer².</td> </tr> <tr> <td>1</td> <td>1</td> <td>1</td> <td>Reserved.</td> </tr> </tbody> </table> | C2 | C1 | C0 | Selected Current Range | 0 | 0 | 0 | ±5 µA current range. | 0 | 0 | 1 | ±20 µA current range. | 0 | 1 | 0 | ±200 µA current range. | 0 | 1 | 1 | ±2 mA current range (default). | 1 | 0 | 0 | ±external current range. | 1 | 0 | 1 | Disable the always on mode for the external current range buffer ¹ . | 1 | 1 | 0 | Enable the always on mode for the external current range buffer ² . | 1 | 1 | 1 | Reserved. |
| C2 | C1 | C0 | Selected Current Range | | | | | | | | | | | | | | | | | | | | | | | | | | | | | | | | | | | |
| 0 | 0 | 0 | ±5 µA current range. | | | | | | | | | | | | | | | | | | | | | | | | | | | | | | | | | | | |
| 0 | 0 | 1 | ±20 µA current range. | | | | | | | | | | | | | | | | | | | | | | | | | | | | | | | | | | | |
| 0 | 1 | 0 | ±200 µA current range. | | | | | | | | | | | | | | | | | | | | | | | | | | | | | | | | | | | |
| 0 | 1 | 1 | ±2 mA current range (default). | | | | | | | | | | | | | | | | | | | | | | | | | | | | | | | | | | | |
| 1 | 0 | 0 | ±external current range. | | | | | | | | | | | | | | | | | | | | | | | | | | | | | | | | | | | |
| 1 | 0 | 1 | Disable the always on mode for the external current range buffer ¹ . | | | | | | | | | | | | | | | | | | | | | | | | | | | | | | | | | | | |
| 1 | 1 | 0 | Enable the always on mode for the external current range buffer ² . | | | | | | | | | | | | | | | | | | | | | | | | | | | | | | | | | | | |
| 1 | 1 | 1 | Reserved. | | | | | | | | | | | | | | | | | | | | | | | | | | | | | | | | | | | |

| Bit | Bit Name | Description | | | | | | | | | | | | | | | |
|----------------------------------|----------------|---|-------|-------|--------|---|---|---|---|---|---|---|---|---|---|---|---|
| 14 13 | MEAS1 MEAS0 | <p>The MEAS1 and MEAS0 bits specify the required measure mode, allowing the MEASOUTx line to be disabled, connected to the temperature sensor, or enabled for measurement of current or voltage.</p> <table border="1"> <thead> <tr> <th>MEAS1</th> <th>MEAS0</th> <th>Action</th> </tr> </thead> <tbody> <tr> <td>0</td> <td>0</td> <td>MEASOUTx is connected to I_{SENSE}</td> </tr> <tr> <td>0</td> <td>1</td> <td>MEASOUTx is connected to V_{SENSE}</td> </tr> <tr> <td>1</td> <td>0</td> <td>MEASOUTx is connected to the temperature sensor</td> </tr> <tr> <td>1</td> <td>1</td> <td>MEASOUTx is high-Z (SW12 open)</td> </tr> </tbody> </table> | MEAS1 | MEAS0 | Action | 0 | 0 | MEASOUTx is connected to I_{SENSE} | 0 | 1 | MEASOUTx is connected to V_{SENSE} | 1 | 0 | MEASOUTx is connected to the temperature sensor | 1 | 1 | MEASOUTx is high-Z (SW12 open) |
| MEAS1 | MEAS0 | Action | | | | | | | | | | | | | | | |
| 0 | 0 | MEASOUTx is connected to I_{SENSE} | | | | | | | | | | | | | | | |
| 0 | 1 | MEASOUTx is connected to V_{SENSE} | | | | | | | | | | | | | | | |
| 1 | 0 | MEASOUTx is connected to the temperature sensor | | | | | | | | | | | | | | | |
| 1 | 1 | MEASOUTx is high-Z (SW12 open) | | | | | | | | | | | | | | | |
| 12 | FIN | <p>This bit sets the status of the force input (FIN) amplifier. 0 = input of the force amplifier switched to GND. 1 = input of the force amplifier connected to the FIN DAC output.</p> | | | | | | | | | | | | | | | |
| 11 10 | SF0 SS0 | <p>The SF0 and SS0 bits specify the switching of system force and sense lines to the force and sense paths at the DUT. The channel to which the system force and system sense lines are connected is set by the PMU3 to PMU0 bits. For correct operation, only one PMU channel should be connected to the SYS_FORCE and SYS_SENSE paths at any one time.</p> <table border="1"> <thead> <tr> <th>SF0</th> <th>SS0</th> <th>Action</th> </tr> </thead> <tbody> <tr> <td>0</td> <td>0</td> <td>SYS_FORCE and SYS_SENSE are high-Z for the selected channel</td> </tr> <tr> <td>0</td> <td>1</td> <td>SYS_FORCE is high-Z and SYS_SENSE is connected to MEASVHx for the selected channels</td> </tr> <tr> <td>1</td> <td>0</td> <td>SYS_FORCE is connected to FOHx and SYS_SENSE is high-Z for the selected channel</td> </tr> <tr> <td>1</td> <td>1</td> <td>SYS_FORCE is connected to FOHx and SYS_SENSE is connected to MEASVHx for the selected channel</td> </tr> </tbody> </table> | SF0 | SS0 | Action | 0 | 0 | SYS_FORCE and SYS_SENSE are high-Z for the selected channel | 0 | 1 | SYS_FORCE is high-Z and SYS_SENSE is connected to MEASVHx for the selected channels | 1 | 0 | SYS_FORCE is connected to FOHx and SYS_SENSE is high-Z for the selected channel | 1 | 1 | SYS_FORCE is connected to FOHx and SYS_SENSE is connected to MEASVHx for the selected channel |
| SF0 | SS0 | Action | | | | | | | | | | | | | | | |
| 0 | 0 | SYS_FORCE and SYS_SENSE are high-Z for the selected channel | | | | | | | | | | | | | | | |
| 0 | 1 | SYS_FORCE is high-Z and SYS_SENSE is connected to MEASVHx for the selected channels | | | | | | | | | | | | | | | |
| 1 | 0 | SYS_FORCE is connected to FOHx and SYS_SENSE is high-Z for the selected channel | | | | | | | | | | | | | | | |
| 1 | 1 | SYS_FORCE is connected to FOHx and SYS_SENSE is connected to MEASVHx for the selected channel | | | | | | | | | | | | | | | |
| 9 | CL | Per-PMU current or voltage clamp enable bit. A logic high enables the clamp function for the selected PMU. The clamp enable function is also available in the system control register. This dual functionality allows flexible enabling or disabling of this function. When reading back information about the status of the clamp enable function on a per-channel basis, the data that was most recently written to the clamp register is available in the readback word from either the PMU register or the system control register. | | | | | | | | | | | | | | | |
| 8 | CPOLH | Comparator output enable bit. By default, the comparator outputs are high-Z on power-on. A logic high enables the comparator output for the selected PMU. The comparator function CPBIASEN (Bit 13 in the system control register), must be enabled. The comparator output enable function is also available in the system control register. This dual functionality allows flexible enabling or disabling of this function. When reading back information about the status of the comparator enable function, the data that was most recently written to the comparator status register is available in the readback word from either the PMU register or the system control register. | | | | | | | | | | | | | | | |
| 7 | Compare V/I | A logic high selects the compare voltage function; a logic low selects the compare current function. | | | | | | | | | | | | | | | |
| 6 | Clear | To clear or reset a latched alarm bit and pin (temperature, guard, or clamp), write a 1 to this bit. This bit applies to latched alarm conditions (clamp and guard) on all four PMU channels. | | | | | | | | | | | | | | | |
| 5 4 3 2 1 0 (LSB) | Unused | Unused bits. Set to 0. | | | | | | | | | | | | | | | |

¹ Writing 101 in Bit 17 to Bit 15 disables the always on mode for the external current range buffer. Use with FV mode (FORCE1 = FORCE0 = 0) only. To complete the disabling of the always on mode, the PMU channel is placed into high-Z mode and the external current range buffer is returned to its default operation (off).

² Writing 110 in Bit 17 to Bit 15 places the external current range buffer into always on mode. In this mode, the buffer is always active with no regard to the selected current range. The always on mode is intended for use where an external high current stage is being used for a current drive in excess of ± 80 mA; having the internal stage always on should help to eliminate timing concerns when transitioning between this current range and other ranges. When first enabling the always on mode, use it in conjunction with FV mode (FORCE1 = FORCE0 = 0); the device now enables the external current range buffer. The 110 code also places the device into high-Z mode (necessary to complete the enabling function). To return to an FV or FI operating mode, select the appropriate mode and current range. The external range sense resistor is connected to an MI circuit only when the external current range address is selected (C2 to C0 are set to 100). The default operation at power-on is disabled (or off).

WRITE DAC REGISTER

The DAC input, gain, and offset registers are addressed through a combination of PMU bits (Bit 27 to Bit 24) and mode bits (Bit 23 and Bit 22). Bit A5 to Bit A0 address each DAC level on

chip. Bit D15 to Bit D0 are the DAC data bits used when writing to these registers. The PMU address bits allow addressing of a particular DAC for any combination of PMU channels.

Table 27. DAC Register Bits

| B28 | B27 | B26 | B25 | B24 | B23 | B22 | B21 | B20 | B19 | B18 | B17 | B16 | B15 to B0 |
|-------|------|------|------|------|-------|-------|-----|-----|-----|-----|-----|-----|-------------------------------|
| RD/WR | PMU3 | PMU2 | PMU1 | PMU0 | MODE1 | MODE0 | A5 | A4 | A3 | A2 | A1 | A0 | Data Bits[D15 (MSB):D0 (LSB)] |

Table 28. DAC Register Functions

| Bit | Bit Name | Description | | | | | | | | | | | | | | | |
|----------------------|------------------------------|---|-------|-------|--------|---|---|--|---|---|------------------------------------|---|---|--------------------------------------|---|---|---|
| 28 (MSB) | RD/WR | When this bit is low, a write function takes place to the selected register; setting the RD/WR bit high initiates a readback sequence of the PMU, alarm status, comparator status, system control, or DAC register, as determined by the address bits. | | | | | | | | | | | | | | | |
| 27 26 25 24 | PMU3 PMU2 PMU1 PMU0 | Bit PMU3 to Bit PMU0 address each PMU and DAC channel in the device. These bits allow control of each individual DAC channel or any combination of channels, in addition to multichannel programming. | | | | | | | | | | | | | | | |
| 23 22 | MODE1 MODE0 | The MODE1 and MODE0 bits allow addressing of the DAC gain (M), offset (C), or input (X1) register. | | | | | | | | | | | | | | | |
| | | <table border="1"> <thead> <tr> <th>MODE1</th> <th>MODE0</th> <th>Action</th> </tr> </thead> <tbody> <tr> <td>0</td> <td>0</td> <td>Write to the system control register or the PMU register</td> </tr> <tr> <td>0</td> <td>1</td> <td>Write to the DAC gain (M) register</td> </tr> <tr> <td>1</td> <td>0</td> <td>Write to the DAC offset (C) register</td> </tr> <tr> <td>1</td> <td>1</td> <td>Write to the DAC input data (X1) register</td> </tr> </tbody> </table> | MODE1 | MODE0 | Action | 0 | 0 | Write to the system control register or the PMU register | 0 | 1 | Write to the DAC gain (M) register | 1 | 0 | Write to the DAC offset (C) register | 1 | 1 | Write to the DAC input data (X1) register |
| MODE1 | MODE0 | Action | | | | | | | | | | | | | | | |
| 0 | 0 | Write to the system control register or the PMU register | | | | | | | | | | | | | | | |
| 0 | 1 | Write to the DAC gain (M) register | | | | | | | | | | | | | | | |
| 1 | 0 | Write to the DAC offset (C) register | | | | | | | | | | | | | | | |
| 1 | 1 | Write to the DAC input data (X1) register | | | | | | | | | | | | | | | |

DAC Register-Specific Bits

| | | |
|----------------|-----------------------|--|
| 21 20 19 | A5 A4 A3 | DAC address bits. The A5 to A3 bits select the register set that is addressed. See the DAC Addressing section. |
| 18 17 16 | A2 A1 A0 | DAC address bits. The A2 to A0 bits select the DAC that is addressed. See the DAC Addressing section. |
| 15 to 0 | D15 (MSB) to D0 (LSB) | 16 DAC data bits for X1 and C registers. M register is 15 bits wide, D15 to D1. |

DAC Addressing

For the FIN and comparator (CPH and CPL) DACs, there is a set of X1, M, and C registers for each current range, and one set for the voltage range; for the clamp DACs (CLL and CLH), there are only two sets of X1, M, and C registers.

When calibrating the device, the M and C registers allow volatile storage of gain and offset coefficients. Calculation of the corresponding DAC X2 register occurs only when the X1 data is loaded (no internal calculation occurs on M or C updates).

There is one offset DAC for all four channels in the device that is addressed using the PMUX bits. The offset DAC has only an input register associated with it; no M or C registers are associated with this DAC. When writing to the offset DAC, set the MODE1 and MODE0 bits high to address the DAC input register (X1).

The same address table is also used for readback of a particular DAC address.

Note that CLL is clamp level low and CLH is clamp level high.

- When forcing a voltage, the current clamps are engaged; therefore, both the CLL current ranges register set and the CLH current ranges register set are loaded to the clamp DACs.
- When forcing a current, the voltage clamps are engaged; therefore, both the CLL voltage range register set and the CLH voltage range register set are loaded to the clamp DACs.

All codes not explicitly referenced Table 29 are reserved and should not be used.

Table 29. DAC Register Addressing

| A5 | A4 | A3 | A2 | A1 | A0 | MODE1 | MODE0 | Register Set | Addressed Register |
|----|----|----|----|----|----|-------|-------|-------------------------|---------------------|
| 0 | 0 | 0 | 0 | 0 | 0 | 1 | 1 | N/A | Offset DAC X |
| 0 | 0 | 1 | 0 | 0 | 0 | 0 | 1 | ±5 µA current range | FIN M |
| | | | | | | 1 | 0 | | FIN C |
| | | | | | | 1 | 1 | | FIN X1 |
| 0 | 0 | 1 | 0 | 0 | 1 | 0 | 1 | ±20 µA current range | FIN M |
| | | | | | | 1 | 0 | | FIN C |
| | | | | | | 1 | 1 | | FIN X1 |
| 0 | 0 | 1 | 0 | 1 | 0 | 0 | 1 | ±200 µA current range | FIN M |
| | | | | | | 1 | 0 | | FIN C |
| | | | | | | 1 | 1 | | FIN X1 |
| 0 | 0 | 1 | 0 | 1 | 1 | 0 | 1 | ±2 mA current range | FIN M |
| | | | | | | 1 | 0 | | FIN C |
| | | | | | | 1 | 1 | | FIN X1 |
| 0 | 0 | 1 | 1 | 0 | 0 | 0 | 1 | ±external current range | FIN M |
| | | | | | | 1 | 0 | | FIN C |
| | | | | | | 1 | 1 | | FIN X1 |
| 0 | 0 | 1 | 1 | 0 | 1 | 0 | 1 | Voltage range | FIN M |
| | | | | | | 1 | 0 | | FIN C |
| | | | | | | 1 | 1 | | FIN X1 |
| 0 | 1 | 0 | 1 | 0 | 0 | 0 | 1 | Current ranges | CLL M |
| | | | | | | 1 | 0 | | CLL C |
| | | | | | | 1 | 1 | | CLL X1 ¹ |
| 0 | 1 | 0 | 1 | 0 | 1 | 0 | 1 | Voltage range | CLL M |
| | | | | | | 1 | 0 | | CLL C |
| | | | | | | 1 | 1 | | CLL X1 |
| 0 | 1 | 1 | 1 | 0 | 0 | 0 | 1 | Current ranges | CLH M |
| | | | | | | 1 | 0 | | CLH C |
| | | | | | | 1 | 1 | | CLH X1 ² |
| 0 | 1 | 1 | 1 | 0 | 1 | 0 | 1 | Voltage range | CLH M |
| | | | | | | 1 | 0 | | CLH C |
| | | | | | | 1 | 1 | | CLH X1 |
| 1 | 0 | 0 | 0 | 0 | 0 | 0 | 1 | ±5 µA current range | CPL M |
| | | | | | | 1 | 0 | | CPL C |
| | | | | | | 1 | 1 | | CPL X1 |

| A5 | A4 | A3 | A2 | A1 | A0 | MODE1 | MODE0 | Register Set | Addressed Register |
|----|----|----|----|----|----|-------------|-------------|-------------------------|--------------------------|
| 1 | 0 | 0 | 0 | 0 | 1 | 0 1 1 | 1 0 1 | ±20 µA current range | CPL M CPL C CPL X1 |
| 1 | 0 | 0 | 0 | 1 | 0 | 0 1 1 | 1 0 1 | ±200 µA current range | CPL M CPL C CPL X1 |
| 1 | 0 | 0 | 0 | 1 | 1 | 0 1 1 | 1 0 1 | ±2 mA current range | CPL M CPL C CPL X1 |
| 1 | 0 | 0 | 1 | 0 | 0 | 0 1 1 | 1 0 1 | ±external current range | CPL M CPL C CPL X1 |
| 1 | 0 | 0 | 1 | 0 | 1 | 0 1 1 | 1 0 1 | Voltage range | CPL M CPL C CPL X1 |
| 1 | 0 | 1 | 0 | 0 | 0 | 0 1 1 | 1 0 1 | ±5 µA current range | CPH M CPH C CPH X1 |
| 1 | 0 | 1 | 0 | 0 | 1 | 0 1 1 | 1 0 1 | ±20 µA current range | CPH M CPH C CPH X1 |
| 1 | 0 | 1 | 0 | 1 | 0 | 0 1 1 | 1 0 1 | ±200 µA current range | CPH M CPH C CPH X1 |
| 1 | 0 | 1 | 0 | 1 | 1 | 0 1 1 | 1 0 1 | ±2 mA current range | CPH M CPH C CPH X1 |
| 1 | 0 | 1 | 1 | 0 | 0 | 0 1 1 | 1 0 1 | ±external current range | CPH M CPH C CPH X1 |
| 1 | 0 | 1 | 1 | 0 | 1 | 0 1 1 | 1 0 1 | Voltage range | CPH M CPH C CPH X1 |

¹ CLL should be within the range of 0x0000 to 0x7FFF.

² CLH should be within the range of 0x8000 to 0xFFFF.

READ REGISTERS

Readback of all the registers in the device is possible via the SPI and the LVDS interfaces. To read data from a register, it is first necessary to write a readback command to tell the device which register is required for readback. See Table 30 to address the appropriate channel.

When the required channel is addressed, the device loads the 24-bit readback data into the MSB positions of the 29-bit serial shift register (the five LSBs are filled with 0s). SCLK rising edges clock this readback data out on SDO (framed by the SYNC signal).

A minimum of 24 clock rising edges is required to shift the readback data out of the shift register. If writing a 24-bit word to shift data out of the device, the user must ensure that the 24-bit write is effectively an NOP (no operation) command. The last five bits in the shift register are always 00000: these five bits become the MSBs of the shift register when the 24-bit write is loaded. To ensure that the device receives an NOP command as described in Table 20, the recommended flush command is 0xFFFFFFFF; thus, no change is made to any register in the device.

Readback data can also be shifted out by writing another 29-bit write or read command. If writing a 29-bit command, the readback data is MSB data available on SDO, followed by 00000.

Table 30. Read Functions of the AD5522

| B28 | B27 | B26 | B25 | B24 | B23 | B22 | B21 to B0 | Selected Channel | | | |
|--|------|------|------|------|-------|-------|----------------------------|--------------------------------------|-----|-----|-----|
| RD/WR | PMU3 | PMU2 | PMU1 | PMU0 | MODE1 | MODE0 | Data bits | CH3 | CH2 | CH1 | CH0 |
| Read Functions | | | | | | | | | | | |
| 1 | 0 | 0 | 0 | 0 | 0 | 0 | All 0s | Read from system control register | | | |
| 1 | 0 | 0 | 0 | 0 | 0 | 1 | All 0s | Read from comparator status register | | | |
| 1 | 0 | 0 | 0 | 0 | 1 | 0 | X (don't care) | Reserved | | | |
| 1 | 0 | 0 | 0 | 0 | 1 | 1 | All 0s | Read from alarm status register | | | |
| Read Addressed PMU Register (Only One PMU Register Can Be Read at One Time) | | | | | | | | | | | |
| 1 | 0 | 0 | 0 | 1 | 0 | 0 | All 0s | | | | CH0 |
| 1 | 0 | 0 | 1 | 0 | 0 | 0 | | | | CH1 | |
| 1 | 0 | 1 | 0 | 0 | 0 | 0 | | | CH2 | | |
| 1 | 1 | 0 | 0 | 0 | 0 | 0 | | CH3 | | | |
| Read Addressed DAC M Register (Only One DAC Register Can Be Read at One Time) | | | | | | | | | | | |
| 1 | 0 | 0 | 0 | 1 | 0 | 1 | DAC address (see Table 29) | | | | CH0 |
| 1 | 0 | 0 | 1 | 0 | 0 | 1 | | | | CH1 | |
| 1 | 0 | 1 | 0 | 0 | 0 | 1 | | | CH2 | | |
| 1 | 1 | 0 | 0 | 0 | 0 | 1 | | CH3 | | | |
| Read Addressed DAC C Register (Only One DAC Register Can Be Read at One Time) | | | | | | | | | | | |
| 1 | 0 | 0 | 0 | 1 | 1 | 0 | DAC address (see Table 29) | | | | CH0 |
| 1 | 0 | 0 | 1 | 0 | 1 | 0 | | | | CH1 | |
| 1 | 0 | 1 | 0 | 0 | 1 | 0 | | | CH2 | | |
| 1 | 1 | 0 | 0 | 0 | 1 | 0 | | CH3 | | | |
| Read Addressed DAC X1 Register (Only One DAC Register Can Be Read at One Time) | | | | | | | | | | | |
| 1 | 0 | 0 | 0 | 1 | 1 | 1 | DAC address (see Table 29) | | | | CH0 |
| 1 | 0 | 0 | 1 | 0 | 1 | 1 | | | | CH1 | |
| 1 | 0 | 1 | 0 | 0 | 1 | 1 | | | CH2 | | |
| 1 | 1 | 0 | 0 | 0 | 1 | 1 | | CH3 | | | |

READBACK OF SYSTEM CONTROL REGISTER

The system control register readback function is a 24-bit word. Mode and system control register data bits are shown in Table 31.

Table 31. System Control Register Readback

| Bit | Bit Name | Description | | | | | | | | | | | | | | |
|--|---|---|-----------|--------|-----|----------------------------|-----|---|-----|--|-----|--|-----|--|-----|---------------------------|
| 23 (MSB) | MODE1 | Set the MODE1 and MODE0 bits to 0 to address the system control register. | | | | | | | | | | | | | | |
| 22 | MODE0 | | | | | | | | | | | | | | | |
| System Control Register-Specific Readback Bits | | | | | | | | | | | | | | | | |
| 21 | CL3 | Read back the status of the individual current clamp enable bits. | | | | | | | | | | | | | | |
| 20 | CL2 | 0 = clamp is disabled. | | | | | | | | | | | | | | |
| 19 | CL1 | 1 = clamp is enabled. | | | | | | | | | | | | | | |
| 18 | CL0 | When reading back information about the status of the clamp enable function, the data that was most recently written to the current clamp register from either the system control register or the PMU register is available in the readback word. | | | | | | | | | | | | | | |
| 17 | CPOLH3 | Read back information about the status of the comparator output enable bits. | | | | | | | | | | | | | | |
| 16 | CPOLH2 | 1 = PMU comparator output is enabled. | | | | | | | | | | | | | | |
| 15 | CPOLH1 | 0 = PMU comparator output is disabled. | | | | | | | | | | | | | | |
| 14 | CPOLH0 | When reading back information about the status of the comparator output enable function, the data that was most recently written to the comparator status register from either the system control register or the PMU register is available in the readback word. | | | | | | | | | | | | | | |
| 13 | CPBIASEN | This readback bit indicates the status of the comparator enable function. 1 = comparator function is enabled. 0 = comparator function is disabled. | | | | | | | | | | | | | | |
| 12 | DUTGND/CH | DUTGND per channel enable. 1 = DUTGND per channel is enabled. 0 = individual guard inputs are available per channel. | | | | | | | | | | | | | | |
| 11 | GUARD ALM | These bits provide information about which of these alarm bits trigger the $\overline{\text{CGALM}}$ pin. 1 = guard/clamp alarm is enabled. 0 = guard/clamp alarm is disabled. | | | | | | | | | | | | | | |
| 10 | CLAMP ALM | | | | | | | | | | | | | | | |
| 9 | INT10K | If this bit is high, the internal 10 k Ω resistor (SW7) is connected between FOHx and MEASVHx, and between DUTGND and AGND. If this bit is low, SW7 is open. | | | | | | | | | | | | | | |
| 8 | Guard EN | Read back the status of the guard amplifiers. If this bit is high, the amplifiers are enabled. | | | | | | | | | | | | | | |
| 7 | GAIN1 | Status of the selected MEASOUTx output range. See Table 10 and Table 11. | | | | | | | | | | | | | | |
| 6 | GAIN0 | | | | | | | | | | | | | | | |
| 5 | TMP ENABLE | Read back the status of the thermal shutdown function. | | | | | | | | | | | | | | |
| 4 | TMP1 | <table border="1"> <thead> <tr> <th>Bits[5:3]</th> <th>Action</th> </tr> </thead> <tbody> <tr> <td>0XX</td> <td>Thermal shutdown disabled.</td> </tr> <tr> <td>100</td> <td>Thermal shutdown enabled at junction temperature of 130°C (power-on default).</td> </tr> <tr> <td>101</td> <td>Thermal shutdown enabled at junction temperature of 120°C.</td> </tr> <tr> <td>110</td> <td>Thermal shutdown enabled at junction temperature of 110°C.</td> </tr> <tr> <td>111</td> <td>Thermal shutdown enabled at junction temperature of 100°C.</td> </tr> <tr> <td>1XX</td> <td>Thermal shutdown enabled.</td> </tr> </tbody> </table> | Bits[5:3] | Action | 0XX | Thermal shutdown disabled. | 100 | Thermal shutdown enabled at junction temperature of 130°C (power-on default). | 101 | Thermal shutdown enabled at junction temperature of 120°C. | 110 | Thermal shutdown enabled at junction temperature of 110°C. | 111 | Thermal shutdown enabled at junction temperature of 100°C. | 1XX | Thermal shutdown enabled. |
| Bits[5:3] | Action | | | | | | | | | | | | | | | |
| 0XX | Thermal shutdown disabled. | | | | | | | | | | | | | | | |
| 100 | Thermal shutdown enabled at junction temperature of 130°C (power-on default). | | | | | | | | | | | | | | | |
| 101 | Thermal shutdown enabled at junction temperature of 120°C. | | | | | | | | | | | | | | | |
| 110 | Thermal shutdown enabled at junction temperature of 110°C. | | | | | | | | | | | | | | | |
| 111 | Thermal shutdown enabled at junction temperature of 100°C. | | | | | | | | | | | | | | | |
| 1XX | Thermal shutdown enabled. | | | | | | | | | | | | | | | |
| 3 | TMP0 | | | | | | | | | | | | | | | |
| 2 | Latched | This bit indicates the status of the open-drain alarm outputs, $\overline{\text{TMPALM}}$ and $\overline{\text{CGALM}}$. 1 = open-drain alarm outputs are latched. 0 = open-drain alarm outputs are unlatched. | | | | | | | | | | | | | | |
| 1 | Unused | Loads with 0s. | | | | | | | | | | | | | | |
| 0 (LSB) | readback bits | | | | | | | | | | | | | | | |

READBACk OF PMU REGISTER

The PMU register readback function is a 24-bit word that includes the mode and PMU data bits. Only one PMU register can be read back at any one time.

Table 32. PMU Register Readback

| Bit | Bit Name | Description |
|----------------------------|-----------------------------|--|
| 23 (MSB) | MODE1 | Set the MODE1 and MODE0 bits to 0 to access the selected PMU register. |
| 22 | MODE0 | |
| PMU Register-Specific Bits | | |
| 21 | CH EN | Channel enable. If this bit is high, the selected channel is enabled; if this bit is low, the channel is disabled. |
| 20 | FORCE1 | These bits indicate which force mode the selected channel is in. 00 = FV and current clamp (if clamp is enabled). 01 = FI and voltage clamp (if clamp is enabled). 10 = high-Z FOHx voltage. 11 = high-Z FOHx current. |
| 19 | FORCE0 | |
| 18 | Reserved | |
| 17 | C2 | These three bits indicate which forced or measured current range is set for the selected channel (see Table 26). |
| 16 | C1 | |
| 15 | C0 | |
| 14 | MEAS1 | These bits indicate which measure mode is selected: voltage, current, temperature sensor, or high-Z. 00 = MEASOUTx is connected to I_{SENSE} . 01 = MEASOUTx is connected to V_{SENSE} . 10 = MEASOUTx is connected to the temperature sensor. 11 = MEASOUTx is high-Z (SW12 open). |
| 13 | MEAS0 | |
| 12 | FIN | This bit shows the status of the force input (FIN) amplifier. 0 = input of the force amplifier switched to GND. 1 = input of the force amplifier connected to the FIN DAC output. |
| 11 | SF0 | The system force and sense lines can be connected to any of the four PMU channels. These bits indicate whether the system force and sense lines are switched in (see Table 26). |
| 10 | SS0 | |
| 9 | CL | Read back the status of the individual current clamp enable bits. 1 = clamp is enabled on this channel. 0 = clamp is disabled on this channel. When reading back information about the status of the current clamp enable function, the data that was most recently written to the current clamp register from either the system control register or the PMU register is available in the readback word. |
| 8 | CPOLH | Read back the status of the comparator output enable bit. 1 = PMU comparator output is enabled. 0 = PMU comparator output is disabled. When reading back information about the status of the comparator output enable function, the data that was most recently written to the comparator register from either the system control register or the PMU register is available in the readback word. |
| 7 | Compare V/I | 1 = compare voltage function is enabled on the selected channel. 0 = compare current function is enabled on the selected channel. |
| 6 | $\overline{\text{LTMPALM}}$ | $\overline{\text{TMPALM}}$ corresponds to the open-drain $\overline{\text{TMPALM}}$ output pin that flags a temperature event exceeding the default or user programmed level. The temperature alarm is a per-device alarm; the latched ($\overline{\text{LTMPALM}}$) and unlatched ($\overline{\text{TMPALM}}$) bits indicate whether a temperature event occurred and whether the alarm still exists (that is, whether the junction temperature still exceeds the programmed alarm level). To reset an alarm event, the user must write a 1 to the clear bit (Bit 6) in the PMU register. |
| 5 | $\overline{\text{TMPALM}}$ | |
| 4 to 0 (LSB) | Unused readback bits | Loads with 0s. |

READBACK OF COMPARATOR STATUS REGISTER

The comparator status register is a read-only register that provides access to the output status of each comparator pin on the chip. Table 33 shows the format of the comparator register readback word.

Table 33. Comparator Status Register (Read-Only)

| Bit | Bit Name | Description |
|--|----------------------|--|
| 23 (MSB) | MODE1 | 0 |
| 22 | MODE0 | 1 |
| Comparator Status Register-Specific Bits | | |
| 21 | CPOLO | Comparator output conditions per channel corresponding to the comparator output pins. 1 = PMU comparator output is high. 0 = PMU comparator output is low. |
| 20 | CPOH0 | |
| 19 | CPOL1 | |
| 18 | CPOH1 | |
| 17 | CPOL2 | |
| 16 | CPOH2 | |
| 15 | CPOL3 | |
| 14 | CPOH3 | Loads with zeros. |
| 13 to 0 (LSB) | Unused readback bits | |

READBACK OF ALARM STATUS REGISTER

The alarm status register is a read-only register that provides information about temperature, clamp, and guard alarm events (see Table 34). Temperature alarm status is also available in any of the four PMU readback registers.

Table 34. Alarm Status Register Readback

| Bit | Bit Name | Description |
|-------------------------------------|-----------------------------|--|
| 23 (MSB) | MODE1 | 1 |
| 22 | MODE0 | 1 |
| Alarm Status Register-Specific Bits | | |
| 21 | $\overline{\text{LTMPALM}}$ | TMPALM corresponds to the open-drain $\overline{\text{TMPALM}}$ output pin that flags a temperature event exceeding the default or user programmed level. The temperature alarm is a per-device alarm; the latched ($\overline{\text{LTMPALM}}$) and unlatched ($\overline{\text{TMPALM}}$) bits indicate whether a temperature event occurred and whether the alarm still exists (that is, whether the junction temperature still exceeds the programmed alarm level). To reset an alarm event, the user must write a 1 to the clear bit (Bit 6) in the PMU register. |
| 20 | $\overline{\text{TMPALM}}$ | |
| 19 | $\overline{\text{LG0}}$ | LGx is the per-channel latched guard alarm bit, and $\overline{\text{Gx}}$ is the unlatched guard alarm bit. These bits indicate which channel flagged the alarm on the open-drain alarm pin, $\overline{\text{CGALM}}$, and whether the alarm condition still exists. |
| 18 | $\overline{\text{G0}}$ | |
| 17 | $\overline{\text{LG1}}$ | |
| 16 | $\overline{\text{G1}}$ | |
| 15 | $\overline{\text{LG2}}$ | |
| 14 | $\overline{\text{G2}}$ | |
| 13 | $\overline{\text{LG3}}$ | |
| 12 | $\overline{\text{G3}}$ | |
| 11 | $\overline{\text{LC0}}$ | LCx is the per-channel latched clamp alarm bit, and $\overline{\text{Cx}}$ is the unlatched clamp alarm bit. These bits indicate which channel flagged the alarm on the open-drain alarm pin $\overline{\text{CGALM}}$ and whether the alarm condition still exists. |
| 10 | $\overline{\text{C0}}$ | |
| 9 | $\overline{\text{LC1}}$ | |
| 8 | $\overline{\text{C1}}$ | |
| 7 | $\overline{\text{LC2}}$ | |
| 6 | $\overline{\text{C2}}$ | |
| 5 | $\overline{\text{LC3}}$ | |
| 4 | $\overline{\text{C3}}$ | |
| 3 to 0 (LSB) | Unused readback bits | Loads with 0s. |

READBCK OF DAC REGISTER

The DAC register readback function is a 24-bit word that includes the mode, address, and DAC data bits.

Table 35. DAC Register Readback

| Bit | Bit Name | Description |
|----------------------------|-----------------|--|
| 23 (MSB) 22 | MODE1 MODE0 | The MODE1 and MODE0 bits indicate the type of DAC register (X1, M, or C) that is read. 01 = DAC gain (M) register. 10 = DAC offset (C) register. 11 = DAC input data (X1) register. |
| DAC Register-Specific Bits | | |
| 21 to 16 | A5 to A0 | Address bits indicating the DAC register that is read (see Table 29). |
| 15 to 0 (LSB) | D15 to D0 | Contents of the addressed DAC register (X1, M, or C). |

APPLICATIONS INFORMATION

POWER-ON DEFAULT

The power-on default for all DAC channels is that the contents of each M register are set to full scale (0xFFFF), and the contents of each C register are set to midscale (0x8000). The contents of the DAC X1 registers at power-on are listed in Table 36.

The power-on default for the alarm status register is 0xFFFFF0, and the power-on default for the comparator status register is 0x400000. The power-on default values of the PMU register and the system control register are shown in Table 37 and Table 38.

SETTING UP THE DEVICE ON POWER-ON

On power-on, default conditions are recalled from the power-on reset register to ensure that each PMU and DAC channel is powered up in a known condition. To operate the device, the user must follow these steps:

1. Configure the device by writing to the system control register to set up different functions as required.
2. Calibrate the device to trim out errors, and load the required calibration values to the gain (M) and offset (C) registers. Load codes to each DAC input (X1) register. When X1 values are loaded to the individual DACs, the calibration engine calculates the appropriate X2 value and stores it, ready for the PMU address to call it.
3. Load the required PMU channel with the required force mode, current range, and so on. Loading the PMU channel configures the switches around the force amplifier, measure function, clamps, and comparators, and also acts as a load signal for the DACs, loading the DAC register with the appropriate stored X2 value.
4. Because the voltage and current ranges have individual DAC registers associated with them, each PMU register mode of operation calls a particular X2 register. Therefore, only updates (that is, changes to the X1 register) to DACs associated with the selected mode of operation are reflected in the output of the PMU. If there is a change to the X1 value associated with a different PMU mode of operation, this X1 value and its M and C coefficients are used to calculate a corresponding X2 value, which is stored in the correct X2 register, but this value is not loaded to the DAC.

Table 36. Default Contents of DAC Registers at Power-On

| DAC Register | Default Value |
|--------------|---------------|
| Offset DAC | 0xA492 |
| FIN DAC | 0x8000 |
| CLL DAC | 0x0000 |
| CLH DAC | 0xFFFF |
| CPL DAC | 0x0000 |
| CPH DAC | 0xFFFF |

Table 37. Power-On Default for System Control Register

| Bit | Bit Name | Default Value |
|----------|-----------------|---------------|
| 21 (MSB) | CL3 | 0 |
| 20 | CL2 | 0 |
| 19 | CL1 | 0 |
| 18 | CL0 | 0 |
| 17 | CPOLH3 | 0 |
| 16 | CPOLH2 | 0 |
| 15 | CPOLH1 | 0 |
| 14 | CPOLH0 | 0 |
| 13 | CPBIASEN | 0 |
| 12 | DUTGND/CH | 0 |
| 11 | Guard ALM | 0 |
| 10 | Clamp ALM | 0 |
| 9 | INT10K | 0 |
| 8 | Guard EN | 0 |
| 7 | GAIN1 | 0 |
| 6 | GAIN0 | 0 |
| 5 | TMP enable | 1 |
| 4 | TMP1 | 0 |
| 3 | TMP0 | 0 |
| 2 | Latched | 0 |
| 1 | Unused data bit | 0 |
| 0 (LSB) | Unused data bit | 0 |

Table 38. Power-On Default for PMU Register

| Bit | Bit Name | Default Value |
|----------|-----------------------------|---------------|
| 21 (MSB) | CH EN | 0 |
| 20 | FORCE1 | 0 |
| 19 | FORCE0 | 0 |
| 18 | Reserved | 0 |
| 17 | C2 | 0 |
| 16 | C1 | 1 |
| 15 | C0 | 1 |
| 14 | MEAS1 | 1 |
| 13 | MEAS0 | 1 |
| 12 | FIN | 0 |
| 11 | SF0 | 0 |
| 10 | SS0 | 0 |
| 9 | CL | 0 |
| 8 | CPOLH | 0 |
| 7 | Compare V/I | 0 |
| 6 | $\overline{\text{LTMPALM}}$ | 1 |
| 5 | $\overline{\text{TMPALM}}$ | 1 |
| 4 | Unused data bit | 0 |
| 3 | Unused data bit | 0 |
| 2 | Unused data bit | 0 |
| 1 | Unused data bit | 0 |
| 0 (LSB) | Unused data bit | 0 |

CHANGING MODES

There are different ways of handling a mode change.

1. Load any DAC X1 values that require changes. Remember that for force amplifier and comparator DACs, X1 registers are available per voltage and current range, so the user can preload new DAC values to make DAC updates ahead of time; the calibration engine calculates the X2 values and stores them.
2. Change to the new PMU mode (FI or FV). This action loads the new switch conditions to the PMU circuitry and loads the DAC register with the stored X2 data.

The following steps describe another method for changing modes:

1. In the PMU register (Bit 20 and Bit 19), enable the high-Z voltage or high-Z current mode to make the amplifier high impedance (SW5 open).
2. Load any DAC X1 values that require changes. Remember that for force amplifier and comparator DACs, X1 registers are available per voltage and current range, so the user can preload new DAC values to make DAC updates ahead of time; the calibration engine calculates the X2 values and stores them.

3. When the high-Z (voltage or current) mode is used, the relevant DAC outputs are automatically updated (FIN, CLL, and CLH DACs). For example, in high-Z voltage mode, when new X1 writes occur, the FIN voltage X2 result is calculated, cached, and loaded to the FIN DAC. When forcing a voltage, current clamps are engaged, so the CLL current register can be loaded, and the gain and offset corrected and loaded to the DAC register. (The CLH current register works the same way.)
4. Change to the new PMU mode (FI or FV). This action loads the new switch conditions to the PMU circuitry. Because the DAC outputs are already loaded, transients are minimized when changing current or voltage mode.

REQUIRED EXTERNAL COMPONENTS

The minimum required external components for use with the AD5522 are shown in Figure 58. Decoupling is greatly dependent on the type of supplies used, other decoupling on the board, and the noise in the system. It is possible that more or less decoupling may be required.

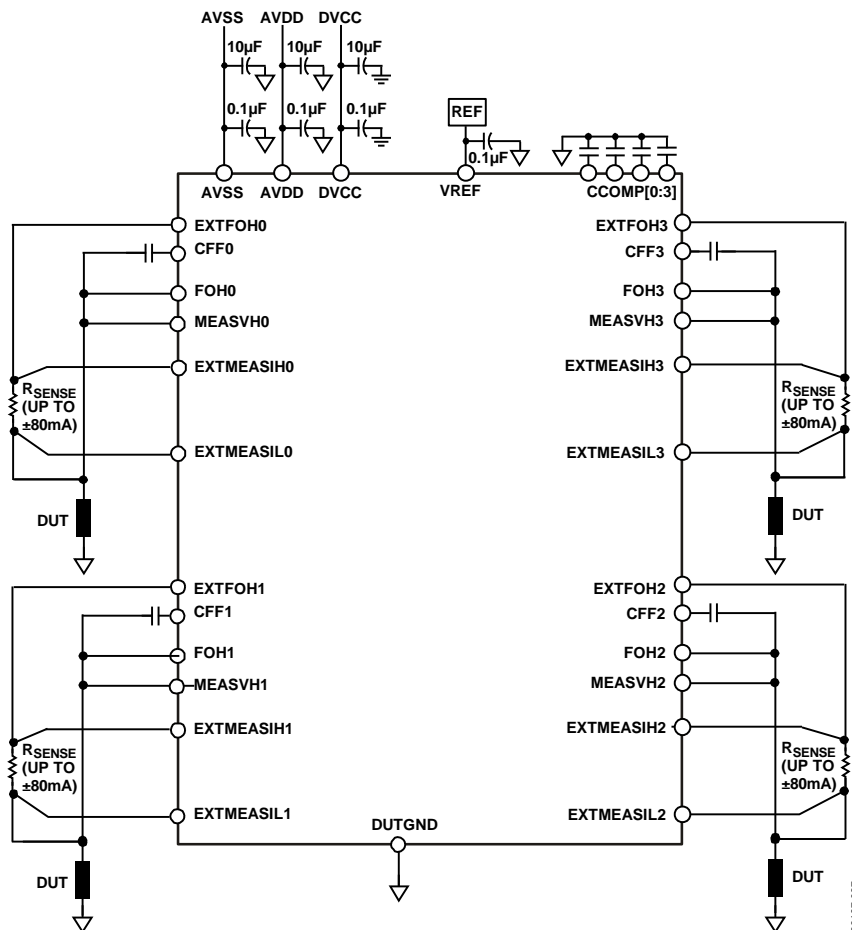


Figure 58. External Components Required for Use with the AD5522

Table 39. ADCs and ADC Drivers Suggested For Use with AD5522¹

| Part No. | Resolution | Sample Rate | Ch. No. | AIN Range | Interface | ADC Driver | Multiplexer ² | Package |
|---------------------|------------|-------------|---------|--|-----------------|---------------------------------------|------------------------------|----------------|
| AD7685 | 16 | 250 kSPS | 1 | 0 V to VREF | Serial, SPI | ADA4841-1, ADA4841-2 | ADG704, ADG708 | MSOP, LFCSP |
| AD7686 | 16 | 500 kSPS | 1 | 0 V to VREF | Serial, SPI | ADA4841-1, ADA4841-2 | ADG704, ADG708 | MSOP, LFCSP |
| AD7693 ³ | 16 | 500 kSPS | 1 | –VREF to +VREF | Serial, SPI | ADA4841-1, ADA4841-2, ADA4941-1 | ADG1404, ADG1408, ADG1204 | MSOP, LFCSP |
| AD7610 | 16 | 250 kSPS | 1 | Bipolar 10 V, Bipolar 5 V, Unipolar 10 V, Unipolar 5 V | Serial/Parallel | AD8021 | ADG1404, ADG1408, ADG1204 | LFCSP, LQFP |
| AD7655 | 16 | 1 MSPS | 4 | 0 V to 5 V | Serial/Parallel | ADA4841-1, ADA4841-2, AD8021 | | |

¹ Subset of the possible ADCs suitable for use with the AD5522. Visit www.analog.com for more options.

² For purposes of sharing an ADC among multiple PMU channels. Note that the multiplexer is not absolutely necessary because the AD5522 MEASOUTx path has a tri-state mode per channel.

³ Do not allow the MEASOUTx output range to exceed the analog input (AIN) range of the ADC.

POWER SUPPLY DECOUPLING

Careful consideration of the power supply and ground return layout helps to ensure the rated performance. Design the printed circuit board (PCB) on which the AD5522 is mounted so that the analog and digital sections are separated and confined to certain areas of the board. If the AD5522 is in a system where multiple devices require an AGND-to-DGND connection, the connection should be made at one point only. Establish the star ground point as close as possible to the device.

For supplies with multiple pins (AVSS and AVDD), it is recommended that these pins be tied together and that each supply be decoupled only once.

The AD5522 should have ample supply decoupling of 10 μF in parallel with 0.1 μF on each supply located as close to the package as possible, ideally right up against the device. The 10 μF capacitors are the tantalum bead type. The 0.1 μF capacitors should have low effective series resistance (ESR) and low effective series inductance (ESL)—typical of the common ceramic types that provide a low impedance path to ground at high frequencies—to handle transient currents due to internal logic switching.

Avoid running digital lines under the device because they can couple noise onto the device. However, allow the analog ground plane to run under the AD5522 to avoid noise coupling (applies only to the package with paddle up). The power supply lines of the AD5522 should use as large a trace as possible to provide low impedance paths and reduce the effects of glitches on the power supply line. Fast switching digital signals should be

shielded with digital ground to avoid radiating noise to other parts of the board, and they should never be run near the reference inputs. It is essential to minimize noise on all VREF lines.

Avoid crossover of digital and analog signals. Traces on opposite sides of the board should run at right angles to each other to reduce the effects of feedthrough through the board. As is the case for all thin packages, care must be taken to avoid flexing the package and to avoid a point load on the surface of this package during the assembly process.

Also, note that the exposed paddle of the AD5522 is connected to the negative supply, AVSS.

POWER SUPPLY SEQUENCING

When the supplies are connected to the AD5522, it is important that the AGND and DGND pins be connected to the relevant ground planes before the positive or negative supplies are applied. This is the only power sequencing requirement for this device.

TYPICAL APPLICATION FOR THE AD5522

Figure 59 shows the AD5522 used in an ATE system. The device can be used as a per-pin parametric unit to speed up the rate at which testing can be done.

The central PMU (shown in the block diagram) is usually a highly accurate PMU and is shared among a number of pins in the tester. In general, many discrete levels are required in an ATE system for the pin drivers, comparators, clamps, and active loads. DAC devices such as the AD537x family offer a highly integrated solution for a number of these levels.

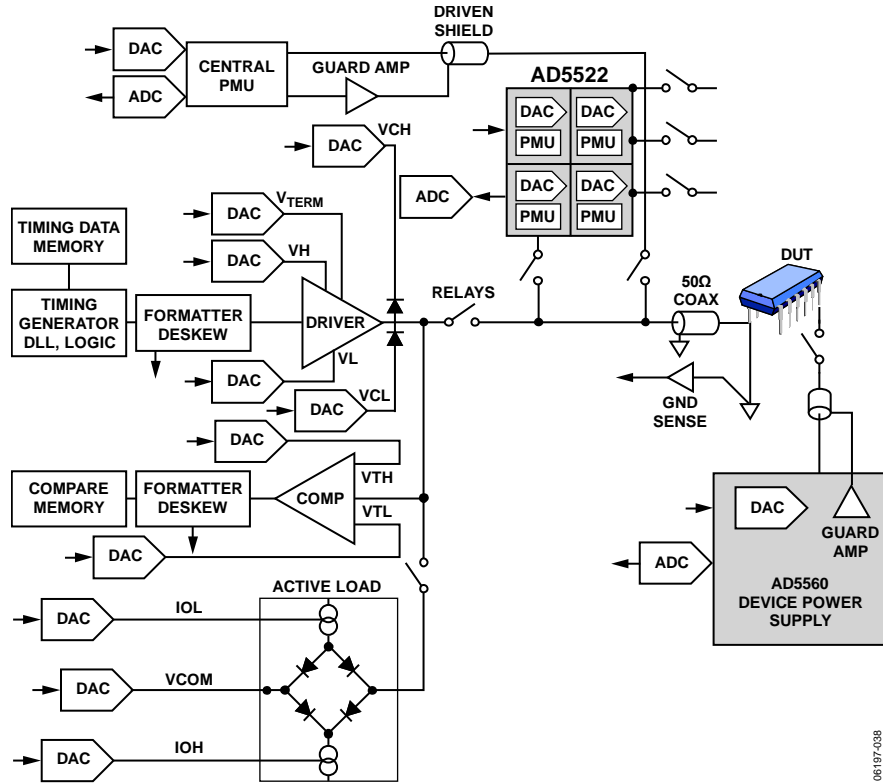
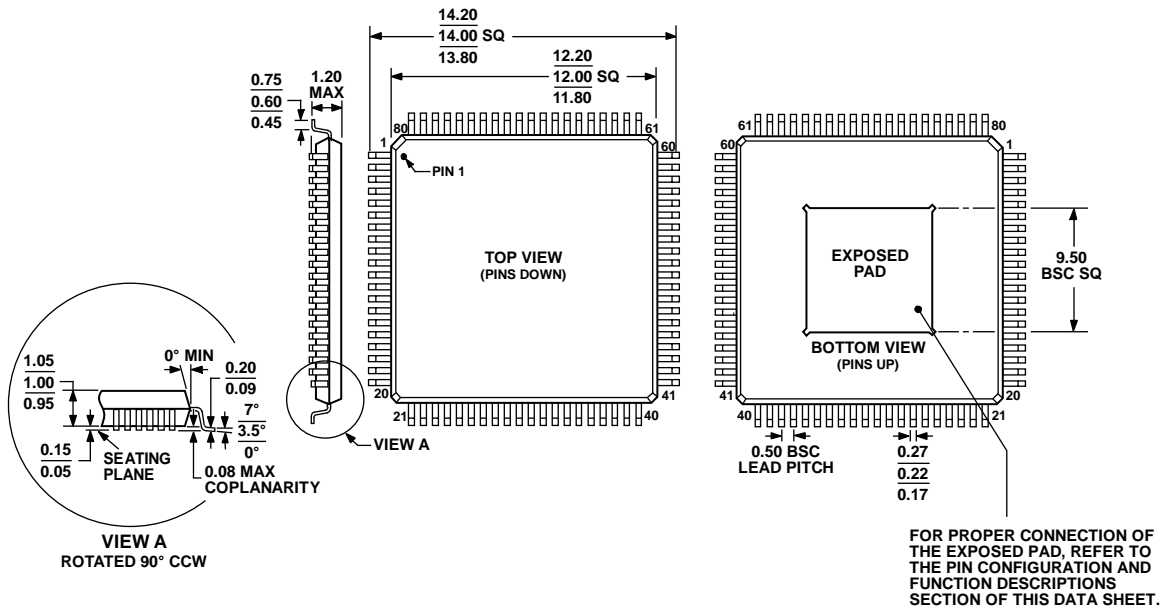


Figure 59. Typical Applications Circuit Using the AD5522 as a Per-Pin Parametric Unit

06197-038

OUTLINE DIMENSIONS

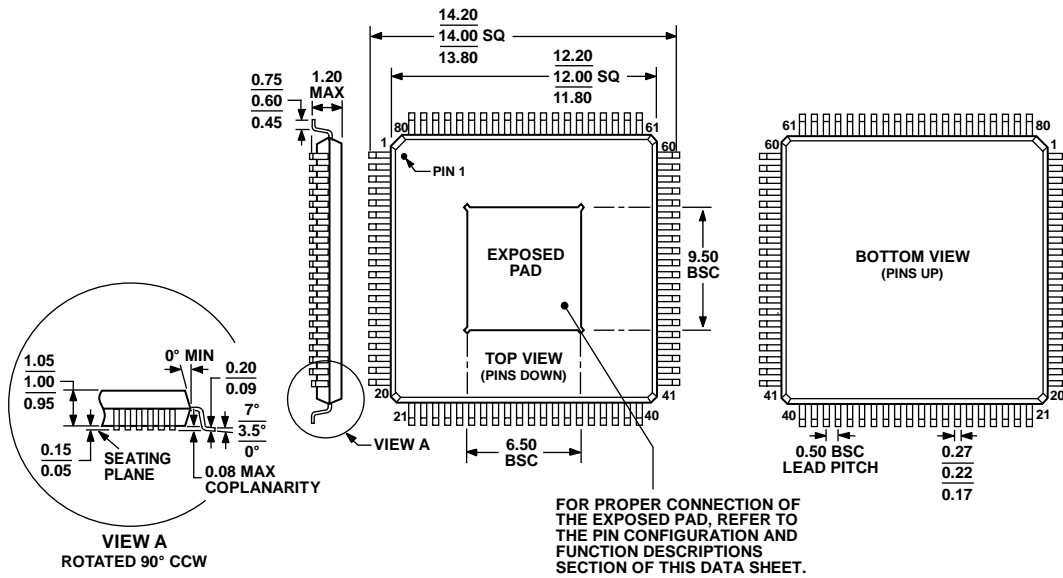


COMPLIANT TO JEDEC STANDARDS MS-026-ADD-HD

Figure 60. 80-Lead Thin Quad Flat Package, Exposed Pad [TQFP_EP]
SV-80-3

Dimensions shown in millimeters

071806-A



COMPLIANT TO JEDEC STANDARDS MS-026-ADD-HU

Figure 61. 80-Lead Thin Quad Flat Package, Exposed Pad [TQFP_EP]
SV-80-2

Dimensions shown in millimeters

071806-A

ORDERING GUIDE

| Model¹ | Temperature Range (T_j) | Package Description | Package Option |
|--------------------------|--|---|-----------------------|
| AD5522JSVDZ | 25°C to 90°C | 80-Lead TQFP_EP with Exposed Pad on Bottom | SV-80-3 |
| AD5522JSVUZ | 25°C to 90°C | 80-Lead TQFP_EP with Exposed Pad on Top | SV-80-2 |
| AD5522JSVUZ-RL | 0°C to 70°C | 80-Lead TQFP_EP with Exposed Pad on Top | SV-80-2 |
| EVAL-AD5522EBDZ | | Evaluation Board with Exposed Pad on Bottom | |
| EVAL-AD5522EBUZ | | Evaluation Board with Exposed Pad on Top | |

¹ Z = RoHS Compliant Part.