

**FEATURES**

- Differential or single-ended voltage DAC output**
- 114 dB DAC dynamic range, A-weighted, differential**
- 97 dB total harmonic distortion plus noise (THD + N), differential**
- 110 dB DAC dynamic range, A-weighted, single-ended**
- 95 dB THD + N, single-ended**
- 2.5 V digital and 3.3 V analog and input/output (I/O) supplies**
- 249 mW total quiescent power**
- Phase-locked loop (PLL) generated or direct master clock**
- Low electromagnetic interference (EMI) design**
- Linear regulator driver to generate digital supply**
- Supports 24-bit and 32 kHz to 192 kHz sample rates**
- Low propagation 192 kHz sample rate mode**
- Log volume control with autoramp function**
- Temperature sensor with digital readout  $\pm 3^{\circ}\text{C}$  accuracy**
- SPI and I<sup>2</sup>C controllable for flexibility**
- Software-controllable clickless mute**
- Software power-down**
- Right justified, left justified, I<sup>2</sup>S, and TDM modes**
- Master and slave modes with up to 12-channel input/output**
- 80-lead LQFP package**
- Qualified for automotive applications**

**APPLICATIONS**

- Automotive audio systems**
- Home theater systems**
- Digital audio effects processors**

**GENERAL DESCRIPTION**

The **ADAU1962A** is a high performance, single-chip digital-to-analog converter (DAC) that provides 12 DACs with differential or single-ended outputs using the Analog Devices, Inc., patented multibit sigma-delta ( $\Sigma$ - $\Delta$ ) architecture. A serial peripheral interface (SPI)/I<sup>2</sup>C port is included, allowing a microcontroller to adjust volume and many other parameters. The **ADAU1962A** operates from 2.5 V digital and 3.3 V analog supplies. A linear regulator is included to generate the digital supply voltage from the analog supply voltage. The **ADAU1962A** is available in an 80-lead LQFP.

The **ADAU1962A** is designed for low EMI. This consideration is apparent in both the system and circuit design architectures. By using the on-board PLL to derive the internal master clock from an external left-right frame clock (LRCLK), the **ADAU1962A** can eliminate the need for a separate high frequency master clock and can be used with or without a bit clock. The DACs are designed using the latest Analog Devices continuous time architectures to further minimize EMI. By using 2.5 V digital supplies, power consumption is minimized, and the digital waveforms are a smaller amplitude, further reducing emissions.

Note that throughout this data sheet, multifunction pins, such as SCLK/SCL, are referred to by the entire pin name or by a single function of the pin, for example, SCLK, when only that function is relevant.

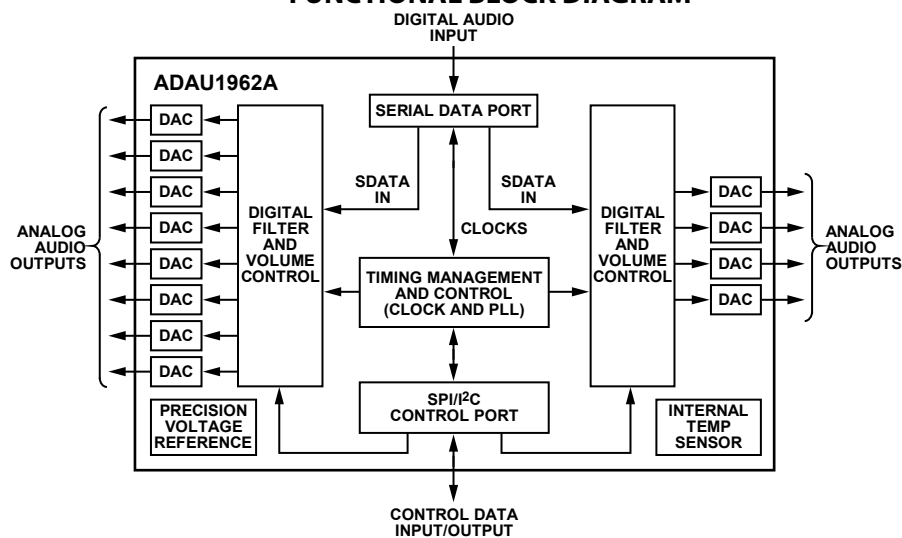
**FUNCTIONAL BLOCK DIAGRAM**


Figure 1.

11371-001

Rev. A

**Document Feedback**

Information furnished by Analog Devices is believed to be accurate and reliable. However, no responsibility is assumed by Analog Devices for its use, nor for any infringements of patents or other rights of third parties that may result from its use. Specifications subject to change without notice. No license is granted by implication or otherwise under any patent or patent rights of Analog Devices. Trademarks and registered trademarks are the property of their respective owners.

**TABLE OF CONTENTS**

|   |    |   |    |
|---|----|---|----|
| Features .....  | 1  | PLL and Clock Control 0 Register .....                      | 25 |
| Applications.....   | 1  | PLL and Clock Control 1 Register .....                      | 26 |
| General Description.....  | 1  | Block Power-Down and Thermal Sensor Control 1 Register..... | 27 |
| Functional Block Diagram .....                                  | 1  | Power-Down Control 2 Register .....                         | 28 |
| Revision History .....  | 2  | Power-Down Control 3 Register .....                         | 29 |
| Specifications.....   | 3  | Thermal Sensor Temperature Readout Register .....           | 29 |
| Analog Performance Specifications: T <sub>A</sub> = 25°C .....  | 3  | DAC Control 0 Register .....                                | 30 |
| Analog Performance Specifications: T <sub>A</sub> = 105°C ..... | 4  | DAC Control 1 Register .....                                | 31 |
| Crystal Oscillator Specifications.....                          | 4  | DAC Control 2 Register .....                                | 32 |
| Digital Input/Output Specifications.....                        | 5  | DAC Individual Channel Mutes 1 Register .....               | 33 |
| Power Supply Specifications.....                                | 5  | DAC Individual Channel Mutes 2 Register .....               | 34 |
| Digital Filters.....  | 6  | Master Volume Control Register.....                         | 35 |
| Timing Specifications .....                                     | 6  | DAC 1 Volume Control Register.....                          | 35 |
| Absolute Maximum Ratings.....                                   | 8  | DAC 2 Volume Control Register.....                          | 36 |
| Thermal Resistance .....  | 8  | DAC 3 Volume Control Register.....                          | 36 |
| ESD Caution.....  | 8  | DAC 4 Volume Control Register.....                          | 37 |
| Pin Configuration and Function Descriptions.....                | 9  | DAC 5 Volume Control Register.....                          | 37 |
| Typical Performance Characteristics .....                       | 12 | DAC 6 Volume Control Register.....                          | 38 |
| Typical Application Circuits.....                               | 13 | DAC 7 Volume Control Register.....                          | 38 |
| Theory of Operation .....                                       | 14 | DAC 8 Volume Control Register.....                          | 39 |
| DACs .....  | 14 | DAC 9 Volume Control Register.....                          | 39 |
| Clock Signals.....  | 14 | DAC 10 Volume Control Register.....                         | 40 |
| Power-Up and Reset.....   | 16 | DAC 11 Volume Control Register.....                         | 40 |
| Standalone Mode.....  | 16 | DAC 12 Volume Control Register.....                         | 41 |
| I <sup>2</sup> C Control Port.....                              | 16 | Pad Strength Register.....                                  | 41 |
| Serial Control Port: SPI Control Mode .....                     | 19 | DAC Power Adjust 1 Register.....                            | 42 |
| Power Supply and Voltage Reference.....                         | 20 | DAC Power Adjust 2 Register.....                            | 43 |
| Serial Data Ports—Data Format.....                              | 20 | DAC Power Adjust 3 Register.....                            | 44 |
| Time-Division Multiplexed (TDM) Modes.....                      | 21 | Outline Dimensions .....                                    | 48 |
| Temperature Sensor .....  | 21 | Ordering Guide .....  | 48 |
| Additional Modes.....   | 23 | Automotive Products.....                                    | 48 |
| Register Summary .....  | 24 |   |    |
| Register Details .....  | 25 |   |    |

**REVISION HISTORY**

|                         |   |
|-------------------------|---|
| 3/16—Rev. 0 to Rev. A   |   |
| Changes to Table 4..... | 5 |

7/13—Revision 0: Initial Version

## SPECIFICATIONS

Performance of all channels is identical, exclusive of the interchannel gain mismatch and interchannel phase deviation specifications. Master clock = 12.288 MHz (48 kHz  $f_s$ ,  $256 \times f_s$  mode), input sample rate = 48 kHz, measurement bandwidth = 20 Hz to 20 kHz, word width = 24 bits, load capacitance (digital output) = 20 pF, load current (digital output) =  $\pm 1$  mA or  $1.5 \text{ k}\Omega$  to  $\frac{1}{2}$  DVDD supply, input voltage high = 2.0 V, input voltage low = 0.8 V, analog audio output resistive load =  $3100 \Omega$  per pin, unless otherwise noted.

### ANALOG PERFORMANCE SPECIFICATIONS: $T_A = 25^\circ\text{C}$

Specifications guaranteed at supply voltages of AVDDx = 3.3 V, DVDD = 2.5 V, ambient temperature<sup>1</sup> ( $T_A$ ) =  $25^\circ\text{C}$ , unless otherwise noted.

Table 1.

| Parameter                              | Test Conditions/Comments      | Min   | Typ         | Max       | Unit                  |
|--|-------------------------------|-------|-------------|-----------|-----------------------|
| <b>DIGITAL-TO-ANALOG CONVERTERS</b>    |                               |       |             |           |                       |
| Dynamic Range (DNR)                    | 20 Hz to 20 kHz, -60 dB input |       |             |           |                       |
| No Filter (RMS)                        | Differential output           | 105.5 | 111         |           | dB                    |
| With A-Weighted Filter (RMS)           | Differential output           | 108.5 | 114         |           | dB                    |
| No Filter (RMS)                        | Single-ended output           | 102.5 | 107         |           | dB                    |
| With A-Weighted Filter (RMS)           | Single-ended output           | 105.5 | 110         |           | dB                    |
| Total Harmonic Distortion + Noise      |                               |       |             |           |                       |
| Differential Output                    | Two channels running -1 dBFS  |       | -97         | -85       | dB                    |
|  | All channels running -1 dBFS  |       | -97         | -85       | dB                    |
| Single-Ended Output                    | Two channels running -1 dBFS  |       | -95         | -80       | dB                    |
|  | All channels running -1 dBFS  |       | -95         | -80       | dB                    |
| Full-Scale Differential Output Voltage |                               |       | 2.00 (2.83) |           | V rms (V p-p)         |
| Full-Scale Single-Ended Output Voltage |                               |       | 1.00 (1.41) |           | V rms (V p-p)         |
| Gain Error                             |                               | -10   |             | +10       | %                     |
| Offset Error                           |                               | -25   | -6          | +25       | mV                    |
| Gain Drift                             |                               | -30   |             | +30       | ppm/ $^\circ\text{C}$ |
| Interchannel Isolation                 |                               |       | 100         |           | dB                    |
| Interchannel Phase Deviation           |                               |       | 0           |           | Degrees               |
| Volume Control Step                    |                               |       | 0.375       |           | dB                    |
| Volume Control Range                   |                               |       | 95.25       |           | dB                    |
| De-Emphasis Gain Error                 |                               |       |             | $\pm 0.6$ | dB                    |
| Output Resistance at Each Pin          |                               |       | 33          |           | $\Omega$              |
| <b>REFERENCE</b>                       |                               |       |             |           |                       |
| Temperature Sensor Reference Voltage   | TS_REF pin                    |       | 1.50        |           | V                     |
| Common-Mode Reference Output           | CM pin                        | 1.40  | 1.50        | 1.56      | V                     |
| External Reference Voltage Source      | CM pin                        | 1.40  | 1.50        | 1.56      | V                     |
| <b>REGULATOR</b>                       |                               |       |             |           |                       |
| Input Supply Voltage                   | VSUPPLY pin                   | 3.14  | 3.3         | 3.46      | V                     |
| Regulated Output Voltage               | VSENSE pin                    | 2.25  | 2.50        | 2.59      | V                     |
| <b>TEMPERATURE SENSOR</b>              |                               |       |             |           |                       |
| Temperature Accuracy                   |                               | -3    |             | +3        | $^\circ\text{C}$      |
| Temperature Readout Range              |                               | -60   |             | +140      | $^\circ\text{C}$      |
| Temperature Readout Step Size          |                               |       | 1           |           | $^\circ\text{C}$      |
| Temperature Sample Rate                |                               | 0.25  |             | 6         | Hz                    |

<sup>1</sup> Functionally guaranteed at  $-40^\circ\text{C}$  to  $+125^\circ\text{C}$  case temperature.

**ANALOG PERFORMANCE SPECIFICATIONS: T<sub>A</sub> = 105°C**

Specifications guaranteed at supply voltages of AVDDx = 3.3 V, DVDD = 2.5 V, ambient temperature<sup>1</sup> (T<sub>A</sub>) = 105°C, unless otherwise noted.

**Table 2.**

| Parameter                              | Test Conditions/Comments      | Min   | Typ         | Max  | Unit          |
|--|-------------------------------|-------|-------------|------|---------------|
| <b>DIGITAL-TO-ANALOG CONVERTERS</b>    |                               |       |             |      |               |
| Dynamic Range (DNR)                    | 20 Hz to 20 kHz, –60 dB input |       |             |      |               |
| No Filter (RMS)                        | Differential output           | 106.5 | 110         |      | dB            |
| With A-Weighted Filter (RMS)           | Differential output           | 109.5 | 113         |      | dB            |
| No Filter (RMS)                        | Single-ended output           | 101.5 | 108         |      | dB            |
| With A-Weighted Filter (RMS)           | Single-ended output           | 104.5 | 110         |      | dB            |
| Total Harmonic Distortion + Noise      |                               |       |             |      |               |
| Differential Output                    | Two channels running –1 dBFS  |       | –92         | –83  | dB            |
|  | All channels running –1 dBFS  |       | –92         | –83  | dB            |
| Single-Ended Output                    | Two channels running –1 dBFS  |       | –90         | –80  | dB            |
|  | All channels running –1 dBFS  |       | –90         | –80  | dB            |
| Full-Scale Differential Output Voltage |                               |       | 2.00 (2.83) |      | V rms (V p-p) |
| Full-Scale Single-Ended Output Voltage |                               |       | 1.00 (1.41) |      | V rms (V p-p) |
| Gain Error                             |                               | –10   |             | +10  | %             |
| Offset Error                           |                               | –25   | –6          | +25  | mV            |
| Gain Drift                             |                               | –30   |             | +30  | ppm/°C        |
| Interchannel Isolation                 |                               |       | 100         |      | dB            |
| Interchannel Phase Deviation           |                               |       | 0           |      | Degrees       |
| Volume Control Step                    |                               |       | 0.375       |      | dB            |
| Volume Control Range                   |                               |       | 95.25       |      | dB            |
| De-Emphasis Gain Error                 |                               |       |             | ±0.6 | dB            |
| Output Resistance at Each Pin          |                               |       | 33          |      | Ω             |
| <b>REFERENCE</b>                       |                               |       |             |      |               |
| Temperature Sensor Reference Voltage   | TS_REF pin                    |       | 1.50        |      | V             |
| Common-Mode Reference Output           | CM pin                        | 1.40  | 1.50        | 1.56 | V             |
| External Reference Voltage Source      | CM pin                        | 1.40  | 1.50        | 1.56 | V             |
| <b>REGULATOR</b>                       |                               |       |             |      |               |
| Input Supply Voltage                   | VSUPPLY pin                   | 3.14  | 3.3         | 3.46 | V             |
| Regulated Output Voltage               | VSENSE pin                    | 2.25  | 2.50        | 2.55 | V             |
| <b>TEMPERATURE SENSOR</b>              |                               |       |             |      |               |
| Temperature Accuracy                   |                               | –3    |             | +3   | °C            |
| Temperature Readout Range              |                               | –60   |             | +140 | °C            |
| Temperature Readout Step Size          |                               |       | 1           |      | °C            |
| Temperature Sample Rate                |                               | 0.25  |             | 6    | Hz            |

<sup>1</sup> Functionally guaranteed at –40°C to +125°C case temperature.

**CRYSTAL OSCILLATOR SPECIFICATIONS**

**Table 3.**

| Parameter               | Min | Typ        | Max | Unit  |
|-------------------------|-----|------------|-----|-------|
| <b>TRANSCONDUCTANCE</b> |     |            |     |       |
| T <sub>A</sub> = 25°C   | 6.4 | 7 to 10    | 14  | mmhos |
| T <sub>A</sub> = 105°C  | 5.2 | 7.5 to 8.5 | 12  | mmhos |

**DIGITAL INPUT/OUTPUT SPECIFICATIONS**

−40°C < T<sub>A</sub> < +105°C, IOVDD = 3.3 V ± 5%, unless otherwise noted.

Table 4.

| Parameter                                     | Test Conditions/Comments   | Min         | Typ | Max         | Unit |
|---|--|-------------|-----|-------------|------|
| DIGITAL INPUT                                 |  |             |     |             |      |
| High Level Input Voltage (V <sub>IH</sub> )   |  | 0.7 × IOVDD |     |             | V    |
| Low Level Input Voltage (V <sub>IL</sub> )    |  |             |     | 0.3 × IOVDD | V    |
| Input Leakage                                 | I <sub>IH</sub> at V <sub>IH</sub> = 3.3 V<br>I <sub>IL</sub> at V <sub>IL</sub> = 0 V |             |     | 10          | μA   |
|   |  |             |     | 10          | μA   |
| INPUT CAPACITANCE                             |  |             |     | 5           | pF   |
| DIGITAL OUTPUT                                |  |             |     |             |      |
| High Level Output Voltage (V <sub>OIH</sub> ) | I <sub>OH</sub> = 1 mA   | 0.8 × IOVDD |     |             | V    |
| Low Level Output Voltage (V <sub>OL</sub> )   | I <sub>OL</sub> = 1 mA   |             |     | 0.1 × IOVDD | V    |

**POWER SUPPLY SPECIFICATIONS**

Table 5.

| Parameter                          | Test Conditions/Comments   | Min                                  | Typ                             | Max                                  | Unit                  |
|------------------------------------|--|--------------------------------------|---------------------------------|--------------------------------------|-----------------------|
| SUPPLIES                           |  |                                      |                                 |                                      |                       |
| Voltage                            | AVDDx<br>DVDD<br>PLLVDD<br>IOVDD<br>VSUPPLY  | 3.14<br>2.25<br>2.25<br>3.14<br>3.14 | 3.3<br>2.5<br>2.5<br>3.3<br>3.3 | 3.46<br>3.46<br>3.46<br>3.46<br>3.46 | V<br>V<br>V<br>V<br>V |
| Analog Current                     | AVDDx = 3.3 V  |                                      |                                 |                                      |                       |
| Normal Operation                   |  |                                      | 45                              |                                      | mA                    |
| Power-Down                         |  |                                      | 1                               |                                      | μA                    |
| Digital Current                    | DVDD = 2.5 V   |                                      |                                 |                                      |                       |
| Normal Operation                   | f <sub>s</sub> = 48 kHz to 192 kHz   |                                      | 30                              |                                      | mA                    |
| Power-Down                         | No MCLK or I <sup>2</sup> S  |                                      | 4                               |                                      | μA                    |
| PLL Current                        | PLLVDD = 2.5 V   |                                      |                                 |                                      |                       |
| Normal Operation                   | f <sub>s</sub> = 48 kHz to 192 kHz   |                                      | 5                               |                                      | mA                    |
| Power-Down                         |  |                                      | 1                               |                                      | μA                    |
| Input/Output Current               | IOVDD = 3.3 V  |                                      |                                 |                                      |                       |
| Normal Operation                   |  |                                      | 4                               |                                      | mA                    |
| Power-Down                         |  |                                      | 1                               |                                      | μA                    |
| QUIESCENT DISSIPATION—DITHER INPUT |  |                                      |                                 |                                      |                       |
| Operation                          | MCLK = 256 × f <sub>s</sub> , 48 kHz   |                                      |                                 |                                      |                       |
| All Supplies                       | AVDDx = 3.3 V, DVDD/PLLVDD = 2.5 V, IOVDD = 3.3 V  |                                      | 249                             |                                      | mW                    |
| Analog Supply                      | AVDDx = 3.3 V, 12.4 mW per channel   |                                      | 148                             |                                      | mW                    |
| Digital Supply                     | DVDD = 2.5 V   |                                      | 75                              |                                      | mW                    |
| PLL Supply                         | PLLVDD = 2.5 V   |                                      | 13                              |                                      | mW                    |
| I/O Supply                         | IOVDD = 3.3 V  |                                      | 13                              |                                      | mW                    |
| Power-Down, All Supplies           |  |                                      | 0                               |                                      | mW                    |
| POWER SUPPLY REJECTION RATIO       |  |                                      |                                 |                                      |                       |
| Signal at Analog Supply Pins       | 1 kHz, 200 mV p-p, differential<br>20 kHz, 200 mV p-p, differential<br>1 kHz, 200 mV p-p, single-ended<br>20 kHz, 200 mV p-p, single-ended |                                      | 88<br>85<br>85<br>75            |                                      | dB<br>dB<br>dB<br>dB  |

**DIGITAL FILTERS**

Table 6.

| Parameter                | Mode   | Factor              | Min | Typ | Max        | Unit    |
|--------------------------|--|---------------------|-----|-----|------------|---------|
| DAC INTERPOLATION FILTER |  |                     |     |     |            |         |
| Pass Band                | 48 kHz mode, typical at 48 kHz                         | $0.4535 \times f_s$ |     | 22  |            | kHz     |
|                          | 96 kHz mode, typical at 96 kHz                         | $0.3646 \times f_s$ | 35  |     |            | kHz     |
|                          | 192 kHz mode, typical at 192 kHz                       | $0.3646 \times f_s$ |     | 70  |            | kHz     |
| Pass-Band Ripple         | 48 kHz mode, typical at 48 kHz                         |                     |     |     | $\pm 0.01$ | dB      |
|                          | 96 kHz mode, typical at 96 kHz                         |                     |     |     | $\pm 0.05$ | dB      |
|                          | 192 kHz mode, typical at 192 kHz                       |                     |     |     | $\pm 0.1$  | dB      |
| Transition Band          | 48 kHz mode, typical at 48 kHz                         | $0.5 \times f_s$    |     | 24  |            | kHz     |
|                          | 96 kHz mode, typical at 96 kHz                         | $0.5 \times f_s$    |     | 48  |            | kHz     |
|                          | 192 kHz mode, typical at 192 kHz                       | $0.5 \times f_s$    |     | 96  |            | kHz     |
| Stop Band                | 48 kHz mode, typical at 48 kHz                         | $0.5465 \times f_s$ |     | 26  |            | kHz     |
|                          | 96 kHz mode, typical at 96 kHz                         | $0.6354 \times f_s$ |     | 61  |            | kHz     |
|                          | 192 kHz mode, typical at 192 kHz                       | $0.6354 \times f_s$ |     | 122 |            | kHz     |
| Stop-Band Attenuation    | 48 kHz mode, typical at 48 kHz                         |                     | 68  |     |            | dB      |
|                          | 96 kHz mode, typical at 96 kHz                         |                     | 68  |     |            | dB      |
|                          | 192 kHz mode, typical at 192 kHz                       |                     | 68  |     |            | dB      |
| Propagation Delay        | 48 kHz mode, typical at 48 kHz                         | $25/f_s$            |     | 521 |            | $\mu s$ |
|                          | 96 kHz mode, typical at 96 kHz                         | $11/f_s$            |     | 115 |            | $\mu s$ |
|                          | 192 kHz mode, typical at 192 kHz                       | $8/f_s$             |     | 42  |            | $\mu s$ |
|                          | 192 kHz low propagation delay mode, typical at 192 kHz | $2/f_s$             |     | 10  |            | $\mu s$ |

**TIMING SPECIFICATIONS**

$-40^\circ C < T_A < +105^\circ C$ , DVDD = 2.5 V  $\pm$  10%, unless otherwise noted.

Table 7.

| Parameter                            | Description  | Min | Typ | Max  | Unit |
|--------------------------------------|--|-----|-----|------|------|
| INPUT MASTER CLOCK (MCLKI) AND RESET |  |     |     |      |      |
| $t_{MH}$                             | Master clock duty cycle, DAC clock source = PLL clock at $256 \times f_s$ , $384 \times f_s$ , $512 \times f_s$ , and $768 \times f_s$ | 40  |     | 60   | %    |
|                                      | DAC clock source = direct MCLKI at $512 \times f_s$ (bypass on-chip PLL)   | 40  |     | 60   | %    |
| $f_{MCLK}$                           | MCLKI frequency of the MCLKI/XTALI pin, PLL mode   | 6.9 |     | 40.5 | MHz  |
|                                      | Direct MCLKI $512 \times f_s$ mode   |     |     | 27.1 | MHz  |
| $f_{BCLK}$                           | DBCLK pin frequency, PLL mode  |     |     | 27.0 | MHz  |
| $t_{PDR}$                            | Low  | 15  |     |      | ns   |
| $t_{PDRR}$                           | Recovery, reset to active output   | 300 |     |      | ms   |
| PLL                                  |  |     |     |      |      |
| Lock Time                            | MCLKI input of the MCLKI/XTALI pin   |     |     | 10   | ms   |
|                                      | DLRCLK pin input   |     |     | 50   | ms   |
| Output Duty Cycle, MCLKO Pin         | $256 \times f_s$ VCO clock   | 40  |     | 60   | %    |

| Parameter              | Description  | Min | Typ | Max | Unit |
|------------------------|--|-----|-----|-----|------|
| <b>SPI PORT</b>        |  |     |     |     |      |
| f <sub>SCLK</sub>      | See Figure 19<br>SCLK frequency, not shown in Figure 19              |     |     | 10  | MHz  |
| t <sub>SCH</sub>       | SCLK high  | 35  |     |     | ns   |
| t <sub>SCL</sub>       | SCLK low   | 35  |     |     | ns   |
| t <sub>MOS</sub>       | MOSI setup, time to SCLK rising                                      | 10  |     |     | ns   |
| t <sub>MOH</sub>       | MOSI hold, time from SCLK rising                                     | 10  |     |     | ns   |
| t <sub>SSS</sub>       | $\overline{SS}$ setup, time to SCLK rising                           | 10  |     |     | ns   |
| t <sub>SSH</sub>       | $\overline{SS}$ hold, time from SCLK falling                         | 10  |     |     | ns   |
| t <sub>SSHIGH</sub>    | $\overline{SS}$ high   | 10  |     |     | ns   |
| t <sub>MIE</sub>       | MISO enable from $\overline{SS}$ falling                             |     |     | 30  | ns   |
| t <sub>MID</sub>       | MISO delay from SCLK falling   |     |     | 30  | ns   |
| t <sub>MIH</sub>       | MISO hold from SCLK falling, not shown in Figure 19                  | 30  |     |     | ns   |
| t <sub>MITS</sub>      | MISO tristate from $\overline{SS}$ rising                            |     |     | 30  | ns   |
| <b>I<sup>2</sup>C</b>  |  |     |     |     |      |
| f <sub>SCL</sub>       | See Figure 2 and Figure 15<br>SCL clock frequency                    |     |     | 400 | kHz  |
| t <sub>SCLL</sub>      | SCL low  | 1.3 |     |     | μs   |
| t <sub>SCLH</sub>      | SCL high   | 0.6 |     |     | μs   |
| t <sub>SCS</sub>       | Setup time (start condition), relevant for repeated start condition  | 0.6 |     |     | μs   |
| t <sub>SCH</sub>       | Hold time (start condition), first clock generated after this period | 0.6 |     |     | μs   |
| t <sub>SSH</sub>       | Setup time (stop condition)  | 0.6 |     |     | μs   |
| t <sub>DS</sub>        | Data setup time  | 100 |     |     | ns   |
| t <sub>SR</sub>        | SDA and SCL rise time  |     |     | 300 | ns   |
| t <sub>SF</sub>        | SDA and SCL fall time  |     |     | 300 | ns   |
| t <sub>BFT</sub>       | Bus-free time between stop and start                                 | 1.3 |     |     | μs   |
| <b>DAC SERIAL PORT</b> |  |     |     |     |      |
| t <sub>DBH</sub>       | See Figure 21<br>DBCLK high, slave mode                              | 10  |     |     | ns   |
| t <sub>DBL</sub>       | DBCLK low, slave mode  | 10  |     |     | ns   |
| t <sub>DLS</sub>       | DLRCLK setup, time to DBCLK rising, slave mode                       | 10  |     |     | ns   |
| t <sub>DLH</sub>       | DLRCLK hold from DBCLK rising, slave mode                            | 5   |     |     | ns   |
| t <sub>DLS</sub>       | DLRCLK skew from DBCLK falling, master mode                          | -8  |     | +8  | ns   |
| t <sub>DDS</sub>       | DSDATAx setup to DBCLK rising  | 10  |     |     | ns   |
| t <sub>DDH</sub>       | DSDATAx hold from DBCLK rising                                       | 5   |     |     | ns   |

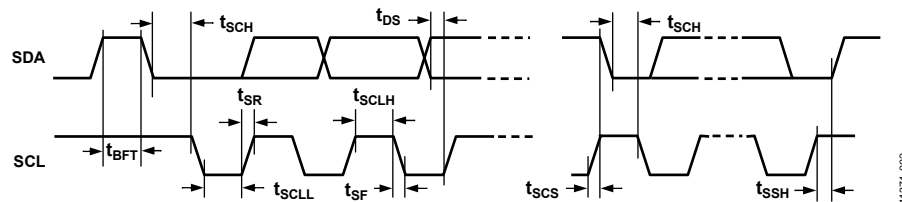


Figure 2. I<sup>2</sup>C Timing Diagram

11371-002

## ABSOLUTE MAXIMUM RATINGS

Table 8.

| Parameter                           | Rating                  |
|-------------------------------------|-------------------------|
| Analog (AVDDx)                      | -0.3 V to +3.6 V        |
| Input/Output (IOVDD)                | -0.3 V to +3.6 V        |
| Digital (DVDD)                      | -0.3 V to +3.6 V        |
| PLL (PLLVD)                         | -0.3 V to +3.6 V        |
| VSUPPLY                             | -0.3 V to +3.6 V        |
| Input Current (Except Supply Pins)  | ±20 mA                  |
| Analog Input Voltage (Signal Pins)  | -0.3 V to AVDDx + 0.3 V |
| Digital Input Voltage (Signal Pins) | -0.3 V to DVDD + 0.3 V  |
| Operating Temperature Range (Case)  | -40°C to +125°C         |
| Storage Temperature Range           | -65°C to +150°C         |

Stresses at or above those listed under Absolute Maximum Ratings may cause permanent damage to the product. This is a stress rating only; functional operation of the product at these or any other conditions above those indicated in the operational section of this specification is not implied. Operation beyond the maximum operating conditions for extended periods may affect product reliability.

## THERMAL RESISTANCE

$\theta_{JA}$  represents junction-to-ambient thermal resistance, and  $\theta_{JC}$  represents the junction-to-case thermal resistance. All characteristics are for a 4-layer board with a solid ground plane.

Table 9. Thermal Resistance

| Package Type | $\theta_{JA}$ | $\theta_{JC}$ | Unit |
|--------------|---------------|---------------|------|
| 80-Lead LQFP | 42.3          | 10.0          | °C/W |

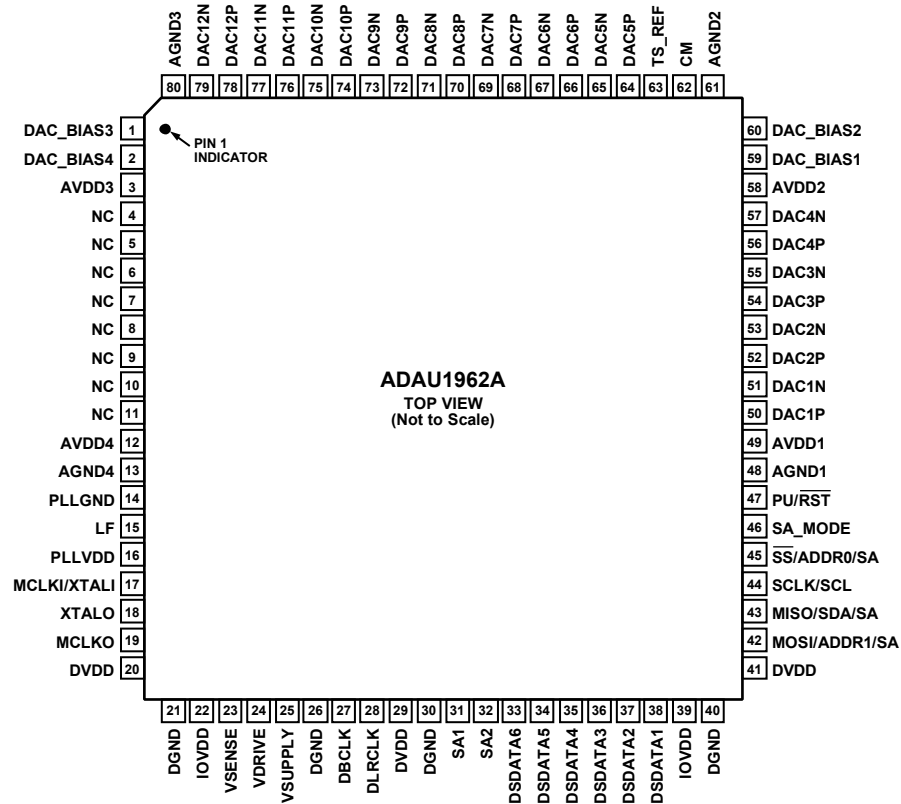
## ESD CAUTION



**ESD (electrostatic discharge) sensitive device.** Charged devices and circuit boards can discharge without detection. Although this product features patented or proprietary protection circuitry, damage may occur on devices subjected to high energy ESD. Therefore, proper ESD precautions should be taken to avoid performance degradation or loss of functionality.



# PIN CONFIGURATION AND FUNCTION DESCRIPTIONS



- NOTES**
1. NC = NO CONNECT. DO NOT CONNECT TO THIS PIN.
  2. SEE THE STANDALONE MODE SECTION (TABLE 13 AND TABLE 14) FOR THE SA\_MODE SETTINGS FOR PIN 31, PIN 32, PIN 42, PIN 43, AND PIN 45.

11371-003

Figure 3. Pin Configuration

Table 10. Pin Function Descriptions

| Pin No.        | Mnemonic <sup>1,2</sup> | Type <sup>3</sup> | Description  |
|----------------|-------------------------|-------------------|--|
| 1              | DAC_BIAS3               | I                 | DAC Bias 3. AC couple with a 470 nF to AGND3.  |
| 2              | DAC_BIAS4               | I                 | DAC Bias 4. AC couple with a 470 nF to AVDD3.  |
| 3              | AVDD3                   | PWR               | Analog Power.  |
| 4 to 11        | NC                      | NC                | No Connect. Do not connect to these pins.  |
| 12             | AVDD4                   | PWR               | Analog Power.  |
| 13             | AGND4                   | GND               | Analog Ground.   |
| 14             | PLLGNDD                 | GND               | PLL Ground.  |
| 15             | LF                      | O                 | PLL Loop Filter. Reference the LF pin to PLLVDD.   |
| 16             | PLLVDD                  | PWR               | PLL Power. Apply 2.5 V to power the PLL.   |
| 17             | MCLKI/XTALI             | I                 | Master Clock Input/Input to Crystal Inverter. This is a multifunction pin.   |
| 18             | XTALO                   | O                 | Output from Crystal Inverter.  |
| 19             | MCLKO                   | O                 | Master Clock Output.   |
| 20, 29, 41     | DVDD                    | PWR               | Digital Power, 2.5 V.  |
| 21, 26, 30, 40 | DGND                    | GND               | Digital Ground.  |
| 22, 39         | IOVDD                   | PWR               | Power for Digital Input and Output Pins, 3.3 V.  |
| 23             | VSENSE                  | I                 | 2.5 V Regulator Output, Pass Transistor Collector. Bypass VSENSE with a 10 μF capacitor in parallel with a 100 nF capacitor. |
| 24             | VDRIVE                  | O                 | Pass Transistor Base Driver.   |

| Pin No. | Mnemonic <sup>1,2</sup>   | Type <sup>3</sup> | Description   |
|---------|---------------------------|-------------------|---|
| 25      | VSUPPLY                   | I                 | 3.3 V Voltage Regulator Input, Pass Transistor Emitter. Bypass VSUPPLY with a 10 $\mu$ F capacitor in parallel with a 100 nF capacitor.   |
| 27      | DBCLK                     | I/O               | Bit Clock for DACs.   |
| 28      | DLRCLK                    | I/O               | Frame Clock for DACs.   |
| 31      | SA1                       | I                 | Standalone Mode, Time Domain Multiplexed (SA_MODE TDM) State. See the Standalone Mode section, Table 13, and Table 14 for more information.   |
| 32      | SA2                       | I                 | Standalone Mode, Time Domain Multiplexed (SA_MODE TDM) State. See the Standalone Mode section, Table 13, and Table 14 for more information.   |
| 33      | DSDATA6                   | I                 | DAC11 and DAC 12 Serial Data Input.   |
| 34      | DSDATA5                   | I                 | DAC9 and DAC 10 Serial Data Input.  |
| 35      | DSDATA4                   | I                 | DAC7 and DAC 8 Serial Data Input.   |
| 36      | DSDATA3                   | I                 | DAC5 and DAC 6 Serial Data Input.   |
| 37      | DSDATA2                   | I                 | DAC3 and DAC 4 Serial Data Input.   |
| 38      | DSDATA1                   | I                 | DAC1 and DAC 2 Serial Data Input.   |
| 42      | MOSI/ADDR1/SA             | I                 | Master Output Slave Input (SPI)/Address 1 (I <sup>2</sup> C)/SA_MODE State (see the Standalone Mode section and Table 13).  |
| 43      | MISO/SDA/SA               | I/O               | Master Output Slave Input (SPI)/Control Data Input (I <sup>2</sup> C)/SA_MODE State (see the Standalone Mode section and Table 13).   |
| 44      | SCLK/SCL                  | I                 | Serial Clock Input (SPI)/Control Clock Input (I <sup>2</sup> C)   |
| 45      | $\overline{SS}$ /ADDR0/SA | I                 | Slave Select (SPI) (Active Low)/Address 0 (I <sup>2</sup> C)/SA_MODE State (see the Standalone Mode section and Table 13).  |
| 46      | SA_MODE                   | I                 | Standalone Mode. This pin allows mode control of <a href="#">ADAU1962A</a> using Pin 42, Pin 43, and Pin 45, Pin 31, and Pin 32 (high active). See Table 13 and Table 14 for more information.  |
| 47      | PU/ $\overline{RST}$      | I                 | Power-Up/Reset (Active Low). See the Power-Up and Reset section for more information.   |
| 48      | AGND1                     | GND               | Analog Ground.  |
| 49      | AVDD1                     | PWR               | Analog Power.   |
| 50      | DAC1P                     | O                 | DAC1 Positive Output.   |
| 51      | DAC1N                     | O                 | DAC1 Negative Output.   |
| 52      | DAC2P                     | O                 | DAC2 Positive Output.   |
| 53      | DAC2N                     | O                 | DAC2 Negative Output.   |
| 54      | DAC3P                     | O                 | DAC3 Positive Output.   |
| 55      | DAC3N                     | O                 | DAC3 Negative Output.   |
| 56      | DAC4P                     | O                 | DAC4 Positive Output.   |
| 57      | DAC4N                     | O                 | DAC4 Negative Output.   |
| 58      | AVDD2                     | PWR               | Analog Power.   |
| 59      | DAC_BIAS1                 | I                 | DAC Bias 1. AC couple Pin 59 with a 470 nF capacitor to AVDD2.  |
| 60      | DAC_BIAS2                 | I                 | DAC Bias 2. AC couple Pin 60 with a 470 nF capacitor to AGND2.  |
| 61      | AGND2                     | GND               | Analog Ground.  |
| 62      | CM                        | O                 | Common-Mode Reference Filter Capacitor Connection. Bypass the CM pin with a 10 $\mu$ F capacitor in parallel with a 100 nF capacitor to AGND2. This reference can be shut off in the PLL_CLK_CTRL1 register (Register 0x01) and the pin can be driven with an outside voltage source. |
| 63      | TS_REF                    | O                 | Voltage Reference Filter Capacitor Connection. Bypass Pin 63 with a 10 $\mu$ F capacitor in parallel with a 100 nF capacitor to AGND2.  |
| 64      | DAC5P                     | O                 | DAC5 Positive Output.   |
| 65      | DAC5N                     | O                 | DAC5 Negative Output.   |
| 66      | DAC6P                     | O                 | DAC6 Positive Output.   |
| 67      | DAC6N                     | O                 | DAC6 Negative Output.   |
| 68      | DAC7P                     | O                 | DAC7 Positive Output.   |
| 69      | DAC7N                     | O                 | DAC7 Negative Output.   |
| 70      | DAC8P                     | O                 | DAC8 Positive Output.   |
| 71      | DAC8N                     | O                 | DAC8 Negative Output.   |
| 72      | DAC9P                     | O                 | DAC9 Positive Output.   |
| 73      | DAC9N                     | O                 | DAC9 Negative Output.   |
| 74      | DAC10P                    | O                 | DAC10 Positive Output.  |
| 75      | DAC10N                    | O                 | DAC10 Negative Output.  |

| Pin No. | Mnemonic <sup>1,2</sup> | Type <sup>3</sup> | Description            |
|---------|-------------------------|-------------------|------------------------|
| 76      | DAC11P                  | O                 | DAC11 Positive Output. |
| 77      | DAC11N                  | O                 | DAC11 Negative Output. |
| 78      | DAC12P                  | O                 | DAC12 Positive Output. |
| 79      | DAC12N                  | O                 | DAC12 Negative Output. |
| 80      | AGND3                   | GND               | Analog Ground.         |

<sup>1</sup> AVDD1, AVDD2, AVDD3, and AVDD4 are referred to elsewhere in this document as AVDDx when AVDDx means any or all of the AVDD pins.

<sup>2</sup> DAC Channel 1 to DAC Channel 12 pins are referred to elsewhere in this document as DACx, DACxP, or DACxN when it means any or all of the DAC channel pins.

<sup>3</sup> I = input, O = output, I/O = input/output, PWR = power, and GND = ground, and NC = no connect.

TYPICAL PERFORMANCE CHARACTERISTICS

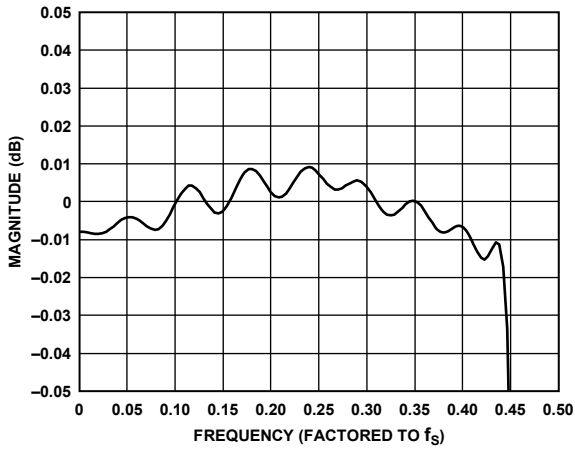


Figure 4. DAC Pass-Band Filter Response, 48 kHz

11371-004

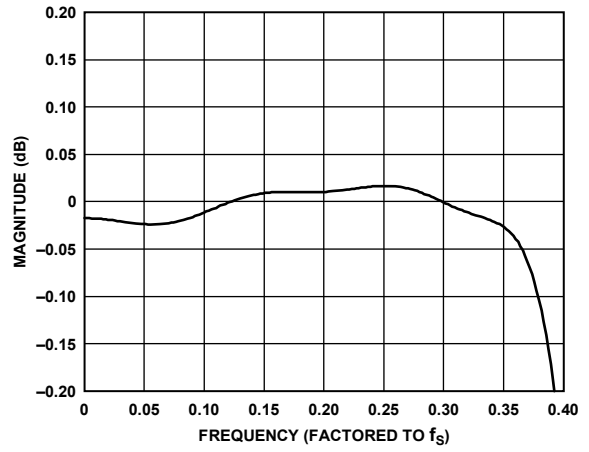


Figure 6. DAC Pass-Band Filter Response, 96 kHz

11371-006

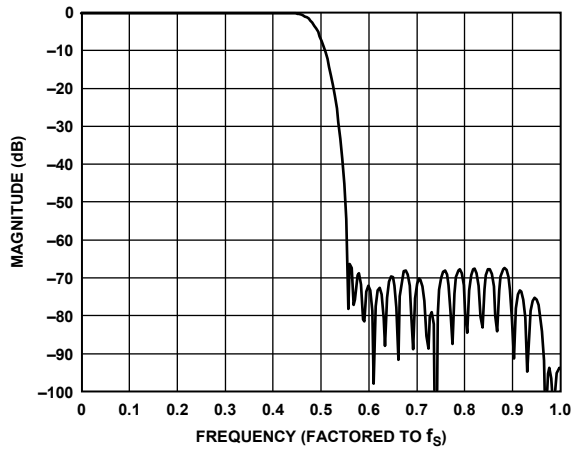


Figure 5. DAC Stop-Band Filter Response, 48 kHz

11371-005

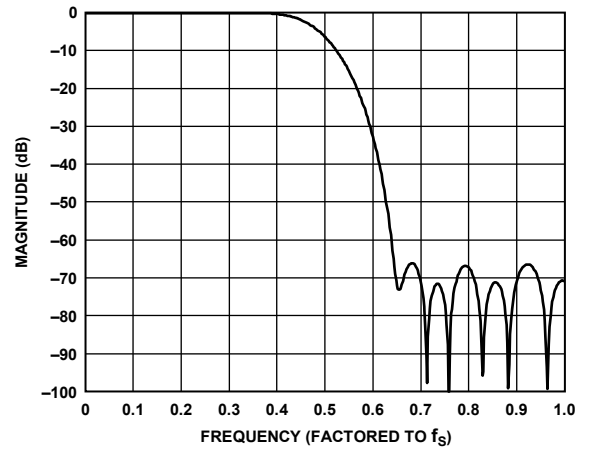


Figure 7. DAC Stop-Band Filter Response, 96 kHz

11371-007

# TYPICAL APPLICATION CIRCUITS

Typical application circuits are shown in Figure 8 to Figure 13. Recommended loop filters for DLRCLK and MCLKI/XTALI modes of the PLL reference are shown in Figure 8. Output filters for the DAC outputs are shown in Figure 10 to Figure 13, and an external regulator circuit is shown in Figure 9. When pins for multiple outputs are referred to generically in this datasheet, there is an x in place of the number. For example, DACxP refers to DAC1P through DAC12P.

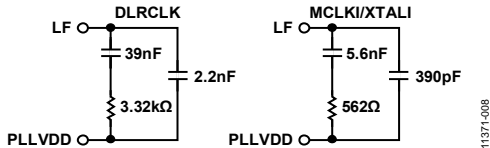


Figure 8. Recommended Loop Filters for DLRCLK and MCLKI/XTALI PLL Reference Modes

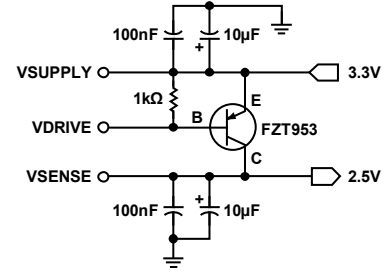


Figure 9. Recommended 2.5 V Regulator Circuit

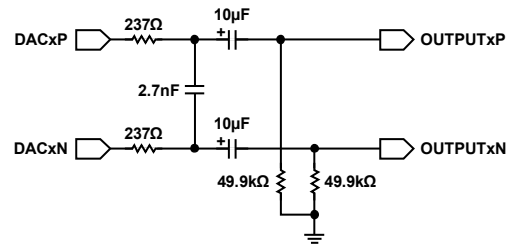


Figure 10. Typical DAC Output Passive Filter Circuit (Differential)

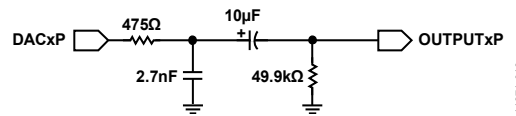


Figure 11. Typical DAC Output Passive Filter Circuit (Single-Ended)

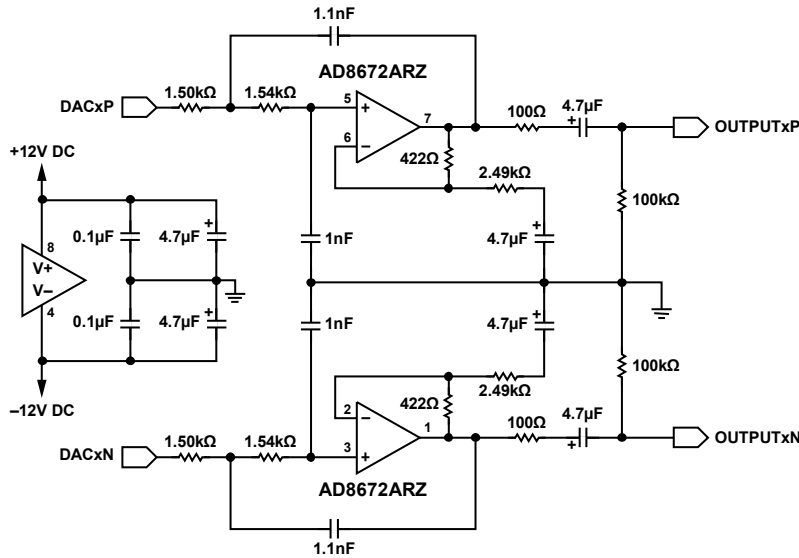


Figure 12. Typical DAC Output Active Filter Circuit (Differential)

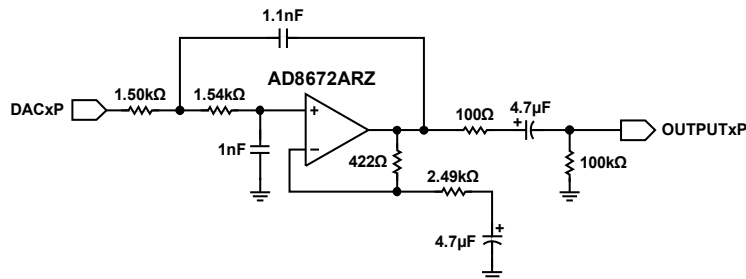


Figure 13. Typical DAC Output Active Filter Circuit (Single-Ended)

## THEORY OF OPERATION

### DACs

The 12 ADAU1962A DAC channels are differential for improved noise and distortion performance and are voltage output for simplified connection. The DACs include on-chip digital interpolation filters with 68 dB stop-band attenuation and linear phase response, operating at an oversampling ratio of 256× (48 kHz range), 128× (96 kHz range), or 64× (192 kHz range). Each channel has its own independently programmable attenuator, adjustable in 255 steps in increments of 0.375 dB. Digital inputs are supplied through six serial data input pins (two channels on each pin), a common frame clock (DLRCLK), and a bit clock (DBCLK). Alternatively, any one of the TDM modes can be used to access up to 12 channels on a single TDM data line.

The ADAU1962A has a low propagation delay mode; this mode is an option for an  $f_s$  of 192 kHz and is enabled in Register DAC\_CTRL0[2:1]. By setting these bits to 0b11, the propagation delay is reduced by the amount shown in Table 6. The shorter delay is achieved by reducing the amount of digital filtering; the negative impact of selecting this mode is reduced audio frequency response and increased out-of-band energy.

Because AVDD is supplied with 3.3 V, each analog output pin has a nominal common-mode (CM) dc level of 1.5 V. With a 0 dB full-scale digital input signal, each pin swings approximately ±1.42 V peak (2.83 V p-p and 2 V rms). Therefore, the voltage swing differentially across the two pins is 5.66 V p-p (4 V rms). The differential analog outputs require a single-order passive differential resistor-capacitor (RC) filter only to provide the specified DNR performance; see Figure 10 or Figure 11 for an example filter. The outputs can easily drive differential inputs on a separate printed circuit board (PCB) through cabling as well as differential inputs on the same PCB.

If more signal level is required, or if a more robust filter is needed, a single op amp gain stage designed as a second-order, low-pass Bessel filter can be used to remove the high frequency out-of-band noise present on each pin of the differential outputs. The choice of components and design of this circuit is critical to yield the full DNR of the DACs (see the recommended passive and active circuits in Figure 10, Figure 11, Figure 12, and Figure 13). The differential filter can be built into an active difference amplifier to provide a single-ended output with gain, if necessary. Note that the use of op amps with low slew rate or low bandwidth can cause high frequency noise and tones to fold down into the audio band; exercise care when selecting these components.

The ADAU1962A offers control over the analog performance of the DACs; it is possible to program the registers to reduce the power consumption with the trade-off of lower SNR and THD + N.

**Table 11. DAC Power vs. Performance**

| Register Setting         | Best Performance | Good Performance | Low Power | Lowest Power |
|--------------------------|------------------|------------------|-----------|--------------|
| Total AVDDx Current      | 45 mA            | 40 mA            | 35 mA     | 30 mA        |
| SNR                      | Reference        | -0.2 dB          | -1.5 dB   | -14.2 dB     |
| THD + N (-1 dBFS Signal) | Reference        | -1.8 dB          | -3.0 dB   | -5.8 dB      |

The reduced power consumption is the result of changing the internal bias current to the analog output amplifiers.

Register DAC\_POWER1 to Register DAC\_POWER3 present four basic settings for the DAC power vs. performance in each of the 12 channels: best performance, good performance, lower power, and lowest power. Alternatively, in Register PLL\_CLK\_CTRL1[7:6], the LOPWR\_MODE bits offer global control over the power and performance for all 12 channels. To select the lower power or lowest power settings, set Bit 7 and Bit 6 of the DAC\_POWERx registers to 0b10 or 0b11, respectively. The default setting is 0b00. This setting allows the channels to be controlled individually using the DAC\_POWERx registers. The data presented in Table 11 shows the result of setting all 12 channels to each of the four settings. The SNR and THD + N specifications are shown in relation to the measured performance of a device at the best performance setting.

The voltage at CM, the common-mode reference pin, can be used to bias the external op amps that buffer the output signals (see the Power Supply and Voltage Reference section).

### CLOCK SIGNALS

Upon powering the ADAU1962A and asserting the PU/RST pin high, the part starts in either standalone mode (SA\_MODE) or program mode, depending on the state of SA\_MODE (Pin 46). The clock functionality of SA\_MODE is described in the Standalone Mode section.

In program mode, the default for the ADAU1962A is for the MCLKO pin to feed a buffered output of the MCLKI signal on the MCLKI/XTALI pin. The default for the DLRCLK and DBCLK ports is slave mode; the DAC must be driven with a coherent set of master clock, frame clock, and bit clock signals to function.

The MCLKO pin can be programmed to provide different clock signals using Register PLL\_CLK\_CTRL1[5:4]. The default, 0b10, provides a buffered copy of the clock signal that is driving the MCLKI pin. Two modes, 0b00 and 0b01, provide low jitter clock signals.

The b00 setting yields a clock rate between 4 MHz and 6 MHz, and the b01 setting yields a clock rate between 8 MHz and 12 MHz. Both of these clock frequencies are scaled as ratios of master clock automatically inside the ADAU1962A. As an example, an input to MCLKI of 8.192 MHz and a setting of 0b00 yield an MCLKO frequency of  $(8.192/2) = 4.096$  MHz. Alternatively, an MCLKI of 36.864 MHz and a setting of 0b01 yield an MCLKO frequency of  $(36.864/3) = 12.288$  MHz. The 0b11 setting disables the MCLKO pin.

After the  $\overline{\text{PU/RST}}$  pin is asserted high, the PLL\_CLK\_CTRLx registers (Register 0x00 and Register 0x01) can be programmed. The on-chip PLL can be selected to use the clock appearing at the MCLKI/XTALI pin at a frequency of 256, 384, 512, or 768 times the sample rate ( $f_s$ ), referenced to the 48 kHz mode from the master clock select (MCS) setting, as described in Table 12.

In 96 kHz mode, the master clock frequency stays at the same absolute frequency; therefore, the actual multiplication rate is divided by 2. In 192 kHz mode, the actual multiplication rate is divided by 4.

For example, if the ADAU1962A is programmed in  $256 \times f_s$  mode, the frequency of the master clock input is  $256 \times 48 \text{ kHz} = 12.288 \text{ MHz}$ . If the ADAU1962A is then switched to 96 kHz operation (by writing to DAC\_CTRL0[2:1]), the frequency of the master clock remains at 12.288 MHz, which is an MCS ratio of  $128 \times f_s$  in this example. Therefore, in 192 kHz mode, MCS becomes  $64 \times f_s$ . The internal clock for the digital core varies by mode:  $512 \times f_s$  (48 kHz mode),  $256 \times f_s$  (96 kHz mode), or  $128 \times f_s$  (192 kHz mode). By default, the on-board PLL generates this internal master clock from an external clock.

The PLL must be powered and stable before using the ADAU1962A as a source for quality audio. The PLL is enabled by reset and does not require writing to the I<sup>2</sup>C or SPI port for normal operation.

With the PLL enabled, the performance of the ADAU1962A is not affected by jitter as high as a 300 ps rms time interval error (TIE). When the internal PLL is disabled, use an independent crystal oscillator to generate the master clock.

When using the ADAU1962A in direct master clock mode, power down the PLL in the PDN\_THRMSSENS\_CTRL\_1 register. For direct master clock mode, a frequency of  $512 \times f_s$  (referenced to 48 kHz mode) must be fed into the MCLKI pin, and the CLK\_SEL bit in the PLL\_CLK\_CTRL1 register must be set to 1. However, for the device to function, 2.5 V power must be connected to the PLLVDD pin.

The PLL of the ADAU1962A can also be programmed to run from an external LRCLK. Setting the PLLIN bits in the PLL\_CLK\_CTRL0 register to 0b01, and connecting the appropriate loop filter to the LF pin (see Figure 8), the PLL generates all of the necessary internal clocks for operation with no external master clock. This mode reduces the number of high frequency signals in the design, reducing EMI emissions.

It is possible to further reduce EMI emissions of the circuit by using the internal bit clock generation setting of the BCLK\_GEN bit in the DAC\_CTRL1 register. Setting the BCLK\_GEN bit to 1 (internal) and the SAI\_MS bit to 0 (slave), the ADAU1962A generates its own bit clock; this configuration works with the PLL input register (PLL\_CLK\_CTRL0[7:6]) set to either MCLKI/XTALI or DLRCLK. The clock on the DLRCLK pin is the only required clock in DLRCLK PLL mode.

Table 12. MCS and  $f_s$  Modes

| Frequency Sample Select<br>DAC_CTRL0[2:1] |              | Master Clock Select (MCS), PLL_CLK_CTRL0[2:1] |                    |                  |                    |                  |                    |                  |                    |
|---|--------------|---|--------------------|------------------|--------------------|------------------|--------------------|------------------|--------------------|
|   |              | Setting 0, 0b00                               |                    | Setting 1, 0b01  |                    | Setting 2, 0b10  |                    | Setting 3, 0b11  |                    |
| $f_s$ (kHz)                               | Bit Setting  | Ratio   | Master Clock (MHz) | Ratio            | Master Clock (MHz) | Ratio            | Master Clock (MHz) | Ratio            | Master Clock (MHz) |
| 32  | 0b00         | $256 \times f_s$                              | 8.192              | $384 \times f_s$ | 12.288             | $512 \times f_s$ | 16.384             | $768 \times f_s$ | 24.576             |
| 44.1                                      | 0b00         | $256 \times f_s$                              | 11.2896            | $384 \times f_s$ | 16.9344            | $512 \times f_s$ | 22.5792            | $768 \times f_s$ | 33.8688            |
| 48  | 0b00         | $256 \times f_s$                              | 12.288             | $384 \times f_s$ | 18.432             | $512 \times f_s$ | 24.576             | $768 \times f_s$ | 36.864             |
| 64  | 0b01         | $128 \times f_s$                              | 8.192              | $192 \times f_s$ | 12.288             | $256 \times f_s$ | 16.384             | $384 \times f_s$ | 24.576             |
| 88.2                                      | 0b01         | $128 \times f_s$                              | 11.2896            | $192 \times f_s$ | 16.9344            | $256 \times f_s$ | 22.5792            | $384 \times f_s$ | 33.8688            |
| 96  | 0b01         | $128 \times f_s$                              | 12.288             | $192 \times f_s$ | 18.432             | $256 \times f_s$ | 24.576             | $384 \times f_s$ | 36.864             |
| 128                                       | 0b10 or 0b11 | $64 \times f_s$                               | 8.192              | $96 \times f_s$  | 12.288             | $128 \times f_s$ | 16.384             | $192 \times f_s$ | 24.576             |
| 176.4                                     | 0b10 or 0b11 | $64 \times f_s$                               | 11.2896            | $96 \times f_s$  | 16.9344            | $128 \times f_s$ | 22.5792            | $192 \times f_s$ | 33.8688            |
| 192                                       | 0b10 or 0b11 | $64 \times f_s$                               | 12.288             | $96 \times f_s$  | 18.432             | $128 \times f_s$ | 24.576             | $192 \times f_s$ | 36.864             |

**POWER-UP AND RESET**

Power sequencing for the ADAU1962A must start with AVDDx and IOVDD, followed by DVDD. It is very important that AVDDx be settled at a regulated voltage and that IOVDD be within 10% of regulated voltage before applying DVDD. When using the internal regulator of the ADAU1962A, this timing occurs by default.

To guarantee proper startup, pull the PU/RST pin low by an external resistor and then drive it high after the power supplies have stabilized. The PU/RST can also be pulled high using a simple RC network.

Driving the PU/RST pin low puts the part into a very low power state (<3 µA). All functionality of the ADAU1962A is disabled until the PU/RST pin is asserted high. Once this pin is asserted high, the ADAU1962A requires 300 ms to stabilize. The MMUTE bit in the DAC\_CTRL0 register must be toggled for operation.

The PUP (master power-up control) bit in the PLL\_CLK\_CTRL0 register can be used to power down the ADAU1962A. Setting the PUP bit to 0 puts the ADAU1962A in an idle state while maintaining the settings of all registers. Additionally, the power-down bits in the PDN\_THRMSSENS\_CTRL\_1 register (TS\_PDN, PLL\_PDN, and VREG\_PDN) can be used to power down individual sections of the ADAU1962A.

The SOFT\_RST bit in the PLL\_CLK\_CTRL0 register sets all of the control registers to their default settings while maintaining the internal clocks in default mode. The SOFT\_RST bit does not power down the analog outputs; nor does toggling this bit cause audible popping sounds at the differential analog outputs.

For proper startup of the ADAU1962A, follow these steps:

1. Apply power to the ADAU1962A as previously described in the Power-Up and Reset section.
2. Assert the PU/RST pin high after power supplies are stable.
3. Set the PUP bit to 1.
4. Program all necessary registers for the desired settings.
5. Set the MMUTE bit to 0 to unmute all channels.

**STANDALONE MODE**

The ADAU1962A can operate without a typical I<sup>2</sup>C or SPI connection to a microcontroller. This standalone mode is available by setting SA\_MODE (Pin 46) to IOVDD. All registers are set to default except for the options shown in Table 13.

**Table 13. SA\_MODE Settings**

| Pin No. | Setting | Function                                   |
|---------|---------|--|
| 42      | 0       | Master mode serial audio interface (SAI)   |
|         | 1       | Slave mode SAI                             |
| 43      | 0       | MCLK = 256 × f <sub>s</sub> , PLL on       |
|         | 1       | MCLK = 384 × f <sub>s</sub> , PLL on       |
| 45      | 0       | I <sup>2</sup> S SAI format                |
|         | 1       | TDM modes, determined by Pin 31 and Pin 32 |

When both SA\_MODE (Pin 46) and SS/ADDR0/SA (Pin 45) are set high, TDM mode is selected. Table 14 shows the available TDM modes; these modes are set by connecting Pin 31 (SA1) and Pin 32 (SA2) to GND or IOVDD.

**Table 14. TDM Modes**

| Pin No.  | Setting | Function                    |
|----------|---------|-----------------------------|
| 31 to 32 | 00      | TDM4, DLRCLK pulse          |
|          | 01      | TDM8, DLRCLK pulse          |
|          | 10      | TDM16, DLRCLK pulse         |
|          | 11      | TDM8, DLRCLK 50% duty cycle |

By powering up the ADAU1962A in SA\_MODE, and asserting the PU/RST pin high, the MCLKO pin provides a buffered version of the MCLKI/XTALI pin, whether the source is a crystal or an active oscillator.

**I<sup>2</sup>C CONTROL PORT**

The ADAU1962A has an I<sup>2</sup>C-compatible control port that permits programming and readback of the internal control registers for the DACs and clock system. The I<sup>2</sup>C interface of the ADAU1962A is a 2-wire interface consisting of a clock line, SCL, and a data line, SDA. SDA is bidirectional, and the ADAU1962A drives SDA either to acknowledge the master (ACK) or to send data during a read operation. The SDA pin (MISO/SDA/SA) for the I<sup>2</sup>C port is an open-drain collector and requires a 2 kΩ pull-up resistor. A write or read access occurs when the SDA line is pulled low while the SCL line (SCLK/SCL) is high, indicated by a start in Figure 14 and Figure 15.

SDA is only allowed to change when SCL is low, except when a start or stop condition occurs, as shown in Figure 14 and Figure 15. The first eight bits of the data-word consist of the device address and the R/W bit. The device address consists of an internal built-in address (0x04) and two address bits, ADDR1 and ADDR0. The two address bits allow four ADAU1962A devices to be used in a system.

**Table 15. I<sup>2</sup>C Addresses**

| ADDR1 (AD1) | ADDR0 (AD0) | Slave Address |
|-------------|-------------|---------------|
| 0           | 0           | 0x04          |
| 0           | 1           | 0x24          |
| 1           | 0           | 0x44          |
| 1           | 1           | 0x64          |



**I<sup>2</sup>C Write**

Initiating a write operation to the ADAU1962A involves the following steps (see Figure 14):

1. Send a start condition
2. Send the device address with the  $\overline{R/\overline{W}}$  bit set low.
  - a. The ADAU1962A responds by issuing an acknowledge to indicate that it has been addressed.
3. Send a second frame directing the ADAU1962A to which register is required to be written.
  - a. A second acknowledge is issued by the ADAU1962A.
4. Send a third frame with the eight data bits required to be written to the register.
  - a. A third acknowledge is issued by the ADAU1962A.
5. Send a stop condition to complete the data transfer.

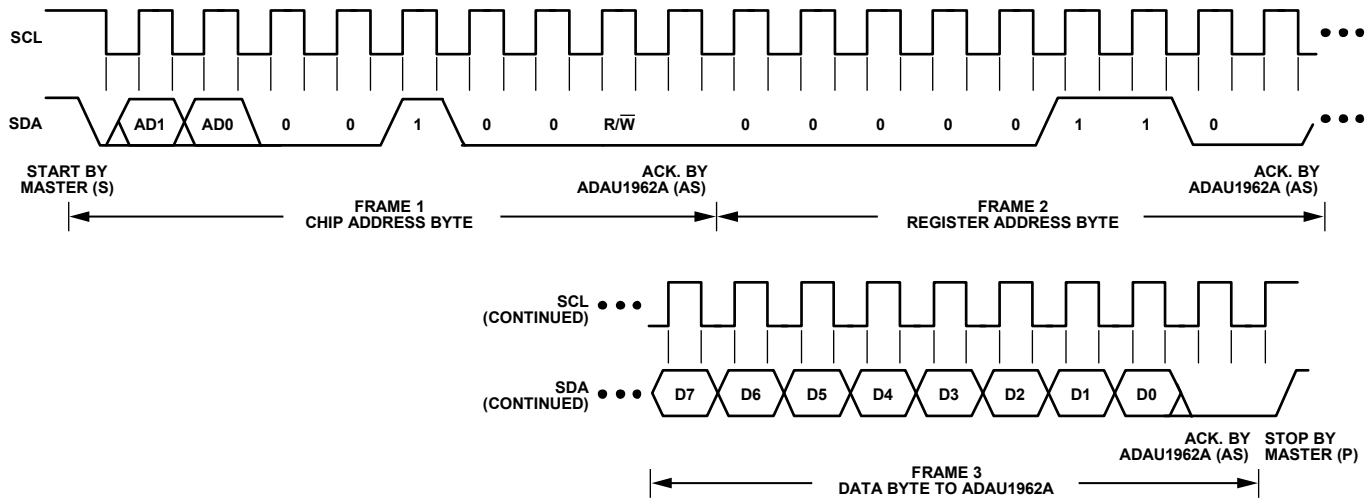


Figure 14. I<sup>2</sup>C Write Format

Table 16. I<sup>2</sup>C Abbreviations

| Abbreviation | Condition             |
|--------------|-----------------------|
| S            | Start bit             |
| P            | Stop bit              |
| AM           | Acknowledge by master |
| AS           | Acknowledge by slave  |

Table 17. Single Word I<sup>2</sup>C Write

|   |   |    |                  |    |           |    |   |
|---|---|----|------------------|----|-----------|----|---|
| S | Chip Address, $\overline{R/\overline{W}} = 0$ | AS | Register Address | AS | Data-Word | AS | P |
|---|---|----|------------------|----|-----------|----|---|

Table 18. Burst Mode I<sup>2</sup>C Write

|   |   |    |                  |    |             |    |             |    |             |    |   |
|---|---|----|------------------|----|-------------|----|-------------|----|-------------|----|---|
| S | Chip Address, $\overline{R/\overline{W}} = 0$ | AS | Register Address | AS | Data-Word 1 | AS | Data-Word 2 | AS | Data-Word N | AS | P |
|---|---|----|------------------|----|-------------|----|-------------|----|-------------|----|---|

**I<sup>2</sup>C Read**

A read operation requires that the user first write to the ADAU1962A to point to the correct register and then read the data. The following steps achieve this (see Figure 15):

1. Send a start condition followed by the device address frame with the R/W bit low and then the register address frame.
  - a. The ADAU1962A responds with an acknowledge.
2. Issue a repeated start condition.
  - a. The next frame is the device address with the R/W bit set high.
  - b. On the next frame, the ADAU1962A outputs the register data on the SDA line.
3. Issue a stop condition to complete the read operation.

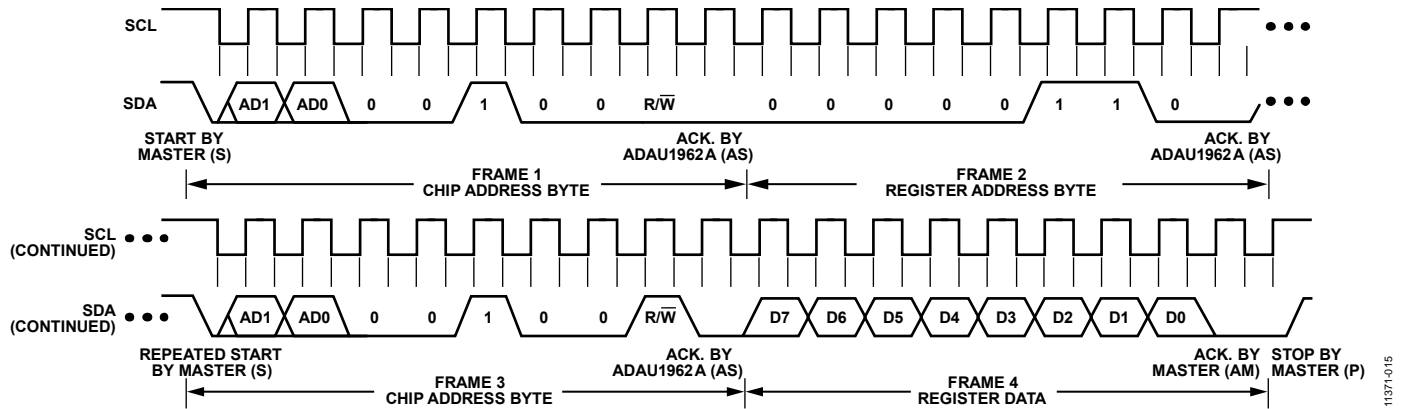


Figure 15. I<sup>2</sup>C Read Format

**Table 19. Single Word I<sup>2</sup>C Read**

|   |                       |    |                  |    |   |                       |    |           |    |   |
|---|-----------------------|----|------------------|----|---|-----------------------|----|-----------|----|---|
| S | Chip Address, R/W = 0 | AS | Register Address | AS | S | Chip Address, R/W = 1 | AS | Data-Word | AM | P |
|---|-----------------------|----|------------------|----|---|-----------------------|----|-----------|----|---|

**Table 20. Burst Mode I<sup>2</sup>C Read**

|   |                       |    |                  |    |   |                       |    |             |    |             |    |             |    |   |
|---|-----------------------|----|------------------|----|---|-----------------------|----|-------------|----|-------------|----|-------------|----|---|
| S | Chip Address, R/W = 0 | AS | Register Address | AS | S | Chip Address, R/W = 1 | AS | Data-Word 1 | AM | Data-Word 2 | AM | Data-Word N | AM | P |
|---|-----------------------|----|------------------|----|---|-----------------------|----|-------------|----|-------------|----|-------------|----|---|

**SERIAL CONTROL PORT: SPI CONTROL MODE**

The ADAU1962A has a 4-wire SPI control port that permits the programming and reading back of the internal control registers for the DACs and clock system. A standalone mode is also available for operation without serial control; it is configured at reset using the SA\_MODE pin. See the Standalone Mode section for details about the SA\_MODE pin.

By default, the ADAU1962A is in I<sup>2</sup>C mode; however, it can be put into SPI control mode by pulling  $\overline{SS}$  low three times. This is done by performing three dummy writes to the SPI port (the ADAU1962A does not acknowledge these three writes, see Figure 16). Beginning with the fourth SPI write, data can be written to or read from the IC. The ADAU1962A can only be taken out of SPI control mode by a full reset initiated by power cycling the device.

The format is a 24-bit wide data-word. The serial bit clock and latch can be completely asynchronous to the sample rate of the DACs. The first byte is a global address with a read/write bit. For the ADAU1962A, the address is 0x06, shifted left one bit due to the R/W bit. The second byte is the ADAU1962A register address, and the third byte is the data, as shown in Figure 17 and Figure 18. When reading data from the ADAU1962A, MISO is tristated until the third byte where it drives data out Figure 18. MISO is tristated at all other times, allowing it to be used with other devices. The timing requirements are shown in Figure 19.

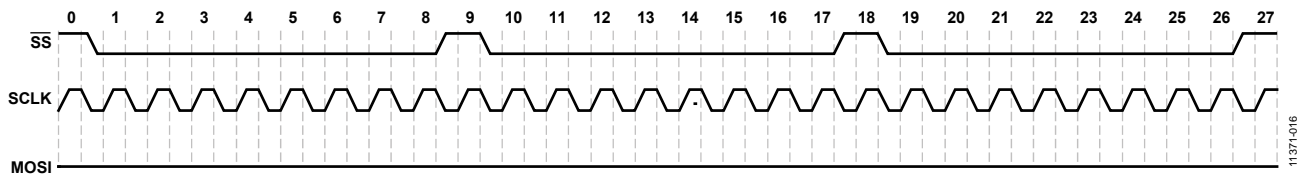


Figure 16. SPI Mode Initial Sequence

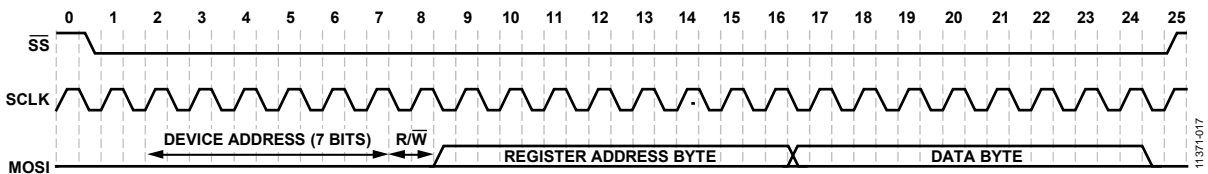


Figure 17. SPI Write to ADAU1962A Clcking

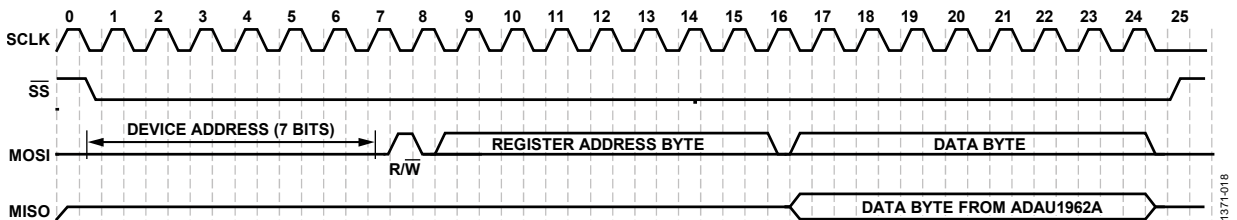


Figure 18. SPI Read from ADAU1962A Clcking

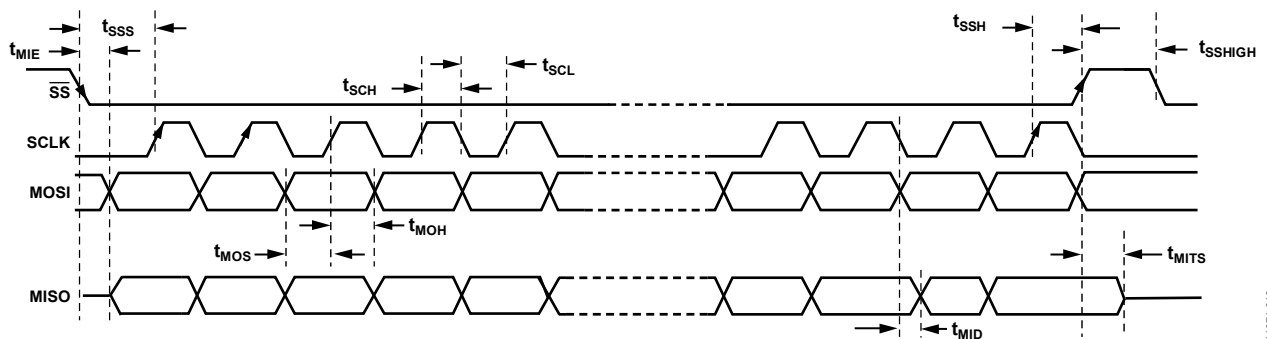


Figure 19. SPI Signal Timing

**Chip Address R/W**

The LSB of the first byte of an SPI transaction is a R/W bit. This bit determines whether the communication is a read (Logic Level 1) or a write (Logic Level 0). This format is shown in Table 21.

**Table 21. ADAU1962A SPI Address and R/W Byte Format**

| Bit 0 | Bit 1 | Bit 2 | Bit 3 | Bit 4 | Bit 5 | Bit 6 | Bit 7 |
|-------|-------|-------|-------|-------|-------|-------|-------|
| 0     | 0     | 0     | 0     | 1     | 1     | 0     | R/W   |

**SPI Burst Read/Write**

The SPI port is capable of performing burst reads or writes by sending the chip address byte with the R/W bit followed by the first register address that needs to be read or written to. Then, as long as the SS pin is held low, the user can sequentially read or write to the registers by continuing to send clock pulses into the SCLK pin. An efficient way to initialize the ADAU1962A is by

- Sending out the address byte with the R/W bit low (write)
- Sending out the address of the first register
- Sending out all the register byte values
- Toggling SS to end the transfer
- Performing a burst read to verify that the register writes were successful

When referencing back to Analog Devices legacy devices, different pin names (mnemonics) were used for these SPI port functions. See Table 22 for details of the changes.

**Table 22. SPI Port Pin Naming Conventions**

| Pin No. | Legacy Pin Mnemonic | New Pin Mnemonic |
|---------|---------------------|------------------|
| 42      | CDATA               | MOSI             |
| 43      | COUT                | MISO             |
| 44      | CCLK                | SCLK             |
| 45      | CLATCH              | SS               |

**POWER SUPPLY AND VOLTAGE REFERENCE**

The ADAU1962A is designed for 3.3 V analog and 2.5 V digital supplies. To minimize noise pickup, bypass the power supply pins with 100 nF ceramic chip capacitors placed as close to the pins as possible. Provide a bulk aluminum electrolytic capacitor of at least 22 µF for each rail on the same PCB as the codec. It is important that the analog supply be as clean as possible.

The ADAU1962A includes a 2.5 V regulator driver that requires only an external pass transistor and bypass capacitors to make a 2.5 V regulator from a 3.3 V supply. Decouple the VSUPPLY and VSENSE pins with no more than 10 µF of capacitance in parallel with 100 nF high frequency bypassing. If the regulator driver is not used, connect VSUPPLY and VDRIVE to GND and leave VSENSE unconnected.

The temperature sensor internal voltage reference (V<sub>TS\_REF</sub>) is connected to the TS\_REF pin and must be bypassed as close as possible to the chip with a parallel combination of 10 µF and 100 nF capacitors.

The internal band gap reference can be disabled in the PLL\_CLK\_CTRL1 register by setting VREF\_EN to 0; the CM pin can be then be driven from an external source. This can be used to scale the DAC output to the clipping level of a power amplifier based on its power supply voltage.

The CM pin is the internal common-mode reference. Bypass it as close as possible to the chip with a parallel combination of 10 µF and 100 nF capacitors. This voltage can be used to bias external op amps to the common-mode voltage of the analog input and output signal pins. It is recommended that the CM pin be isolated from the external circuitry by using a high quality buffer to provide a quiet, low impedance source for the external circuitry. Use of a quiet op amp is critical because any noise added to the reference voltage is injected into the signal path.

**SERIAL DATA PORTS—DATA FORMAT**

The 12 DAC channels use a common serial bit clock (DBCLK) and a common left-right framing clock (DLRCLK) in the serial data port. The clock signals are all synchronous with the sample rate. The normal stereo serial modes are shown in Figure 20.

The DAC serial data mode defaults to I<sup>2</sup>S (1 BCLK delay) upon power-up and reset. The ports can also be programmed for left justified and right justified (24-bit and 16-bit) operation using DAC\_CTRL0[7:6]. Stereo and TDM modes can be selected using DAC\_CTRL0[5:3]. The polarity of DBCLK and DLRCLK is programmable according to the DAC\_CTRL1[1] and DAC\_CTRL1[5] bits. The serial ports are programmable as the clock masters according to the DAC\_CTRL1[0] bit. By default, the serial port is in slave mode.

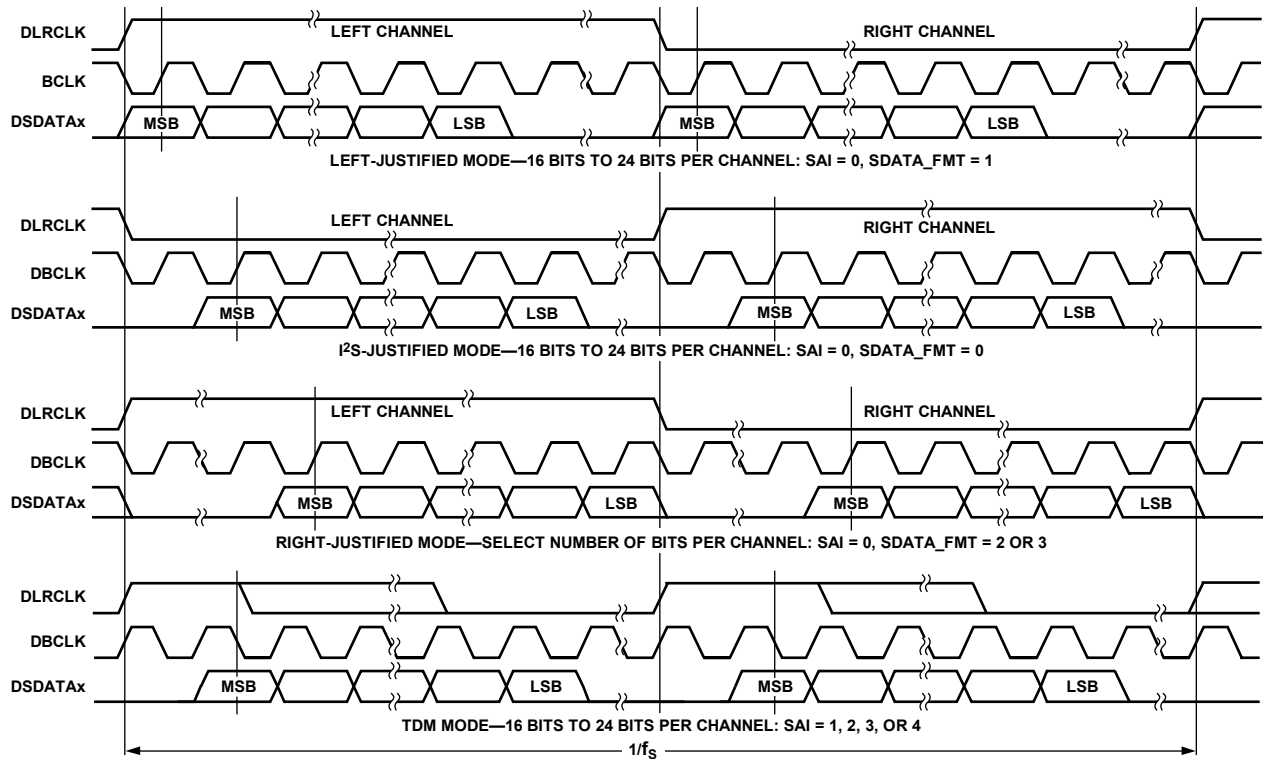


Figure 20. Stereo Serial Audio Modes

## TIME-DIVISION MULTIPLEXED (TDM) MODES

The ADAU1962A serial ports also have several different TDM serial data modes. The ADAU1962A can support a single data line (TDM16), a dual data line (TDM8), a quad data line (TDM4), or eight data lines (TDM2). The DLRCLK/frame clock can operate in both single-cycle pulse mode and a 50% duty cycle mode. Both 16 DBCLKs and 32 DBCLKs per channel are selectable for each mode.

The I/O pins of the serial ports are defined according to the serial mode that is selected. For a detailed description of the function of each pin in TDM and stereo modes, see Table 23.

## TEMPERATURE SENSOR

The ADAU1962A has an on-board temperature sensor that allows the user to read the temperature of the silicon inside the device. The temperature sensor readout has a range of  $-60^{\circ}\text{C}$  to  $+140^{\circ}\text{C}$  in  $1^{\circ}\text{C}$  steps. The PDN\_THRMSSENS\_CTRL\_1 register controls the settings of the sensor. The temperature sensor is powered on by default and can be shut off by setting the TS\_PDN[2] bit to 1 in the

PDN\_THRMSSENS\_CTRL\_1 register. The temperature sensor can be run in either continuous operation or one-shot mode. The temperature sensor conversion mode is modified using THRM\_MODE (Bit 5); the default is THRM\_MODE = 1, one-shot mode. In one-shot mode, writing a 0 followed by writing a 1 to THRM\_GO (Bit 4), results in a single reset and temperature conversion, placing the resulting temperature data in the THRM\_TEMP\_STAT register.

In continuous operation mode, the data conversion takes place at a rate set by THRM\_RATE[7:6], with a range of 0.5 sec to 4 sec between samples. Faster rates are possible using one-shot mode.

Once a temperature conversion is placed in the THRM\_TEMP\_STAT register, the data can be translated into degrees Celsius ( $^{\circ}\text{C}$ ) using the following steps:

1. Convert the binary or hexadecimal data read from THRM\_TEMP\_STAT into decimal form.
2. Subtract 60 from the converted THRM\_TEMP\_STAT data; this is the temperature of the silicon in  $^{\circ}\text{C}$ .

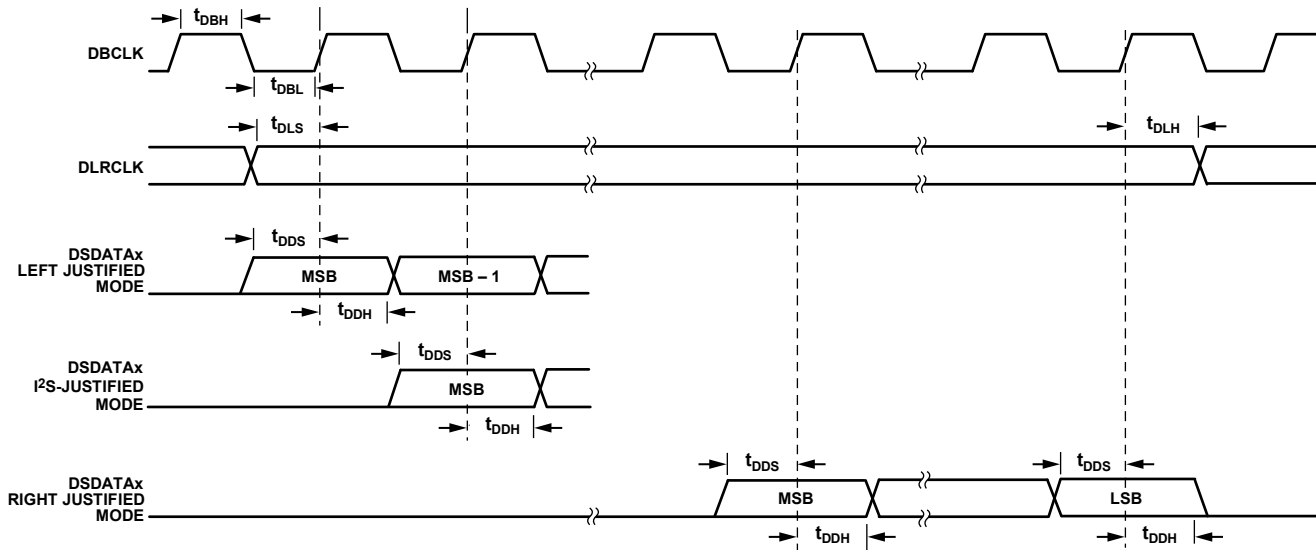


Figure 21. DAC Serial Timing

11371-021

Table 23. Pin Function Changes in Different Serial Audio Interface Modes

| Signal              | Stereo Modes (SAI = 0 or SAI = 1) | TDM4 Mode (SAI = 2)                            | TDM8 Mode (SAI = 3)                            | TDM16 Mode (SAI = 4)                           |
|---------------------|-----------------------------------|--|--|--|
| DSDATA1             | Channel 1/Channel 2 data input    | Channel 1 to Channel 4 data input              | Channel 1 to Channel 8 data input              | Channel 1 to Channel 12 data input             |
| DSDATA2             | Channel 3/Channel 4 data input    | Channel 5 to Channel 8 data input              | Channel 9 to Channel 12 data input             | Not used                                       |
| DSDATA3             | Channel 5/Channel 6 data input    | Channel 9 to Channel 12 data input             | Not used                                       | Not used                                       |
| DSDATA4             | Channel 7/Channel 8 data input    | Not used                                       | Not used                                       | Not used                                       |
| DSDATA5             | Channel 9/Channel 10 data input   | Not used                                       | Not used                                       | Not used                                       |
| DSDATA6             | Channel 11/Channel 12 data input  | Not used                                       | Not used                                       | Not used                                       |
| DLRCLK              | DLRCLK input/DLRCLK output        | TDM frame sync input/<br>TDM frame sync output | TDM frame sync input/<br>TDM frame sync output | TDM frame sync input/<br>TDM frame sync output |
| DBCLK               | DBCLK input/DBCLK output          | TDM DBCLK input/<br>TDM DBCLK output           | TDM DBCLK input/<br>TDM DBCLK output           | TDM DBCLK input/<br>TDM DBCLK output           |
| Maximum Sample Rate | 192 kHz                           | 192 kHz  | 96 kHz   | 48 kHz   |

**ADDITIONAL MODES**

The ADAU1962A offers several additional modes for board level design enhancements. To reduce the EMI in board level design, serial data can be transmitted without an explicit bit clock input on the DBCLK pin. See Figure 22 for an example of a DAC TDM data transmission mode that does not require a high speed bit clock or an external master clock. This configuration is applicable when the ADAU1962A master clock is generated by the PLL with the DLRCLK pin as the PLL reference frequency.

To relax the requirement for the setup time of the ADAU1962A in cases of high speed TDM data transmission, the ADAU1962A can latch in the data using the falling edge of DBCLK pin; see the BCLK\_EDGE bit in the DAC\_CTRL1 register. This effectively dedicates the entire bit clock period to the setup time. This mode is useful when the source has a large delay time in the serial data driver. Figure 23 shows this inverted bit clock mode of data transmission.

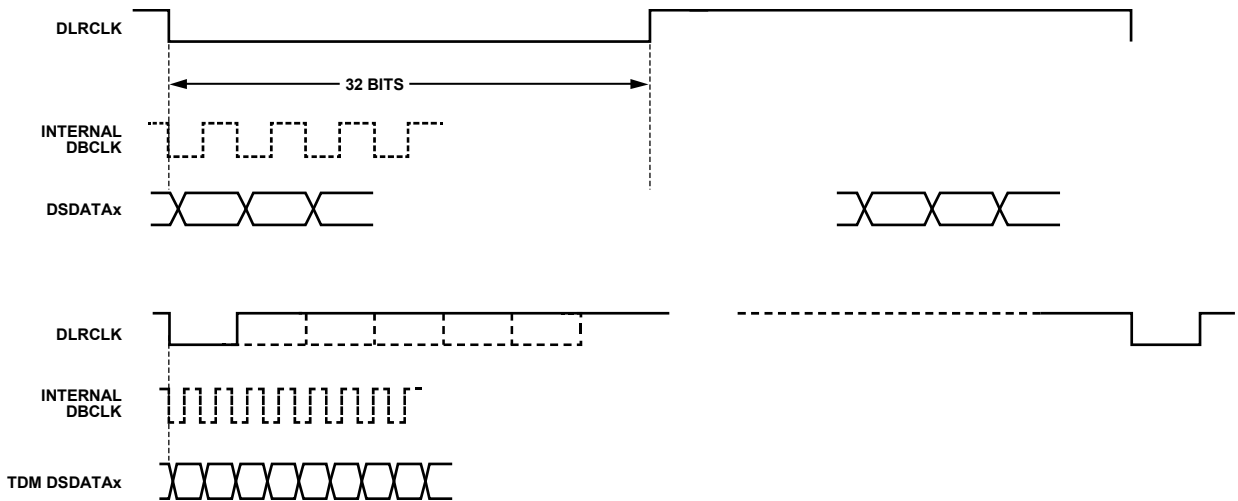


Figure 22. Serial DAC Data Transmission in TDM Format Without DBCLK (Applicable Only If PLL Locks to DLRCLK)

11371-022

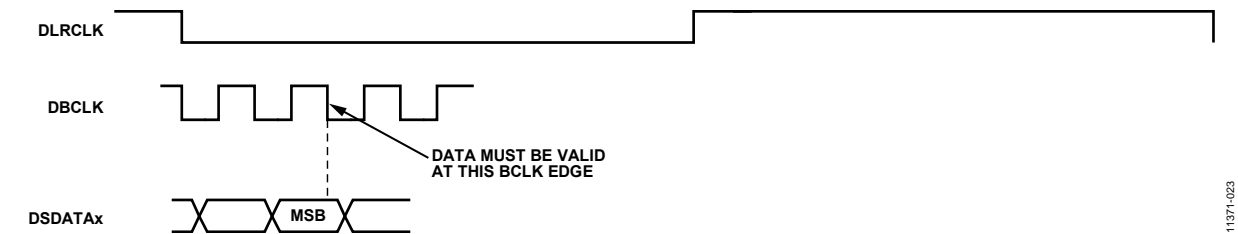


Figure 23. Inverted DBCLK Mode in DAC Serial Data Transmission (Applicable in Stereo and TDM, Useful for High Frequency TDM Transmission)

11371-023

## REGISTER SUMMARY

Table 24. ADAU1962A Register Summary

| Reg. No. | Register Name        | Bits  | Bit 7       | Bit 6      | Bit 5       | Bit 4      | Bit 3       | Bit 2        | Bit 1       | Bit 0      | Reset | RW   |    |
|----------|----------------------|-------|-------------|------------|-------------|------------|-------------|--------------|-------------|------------|-------|------|----|
| 0x00     | PLL_CLK_CTRL0        | [7:0] | PLLIN       |            | XTAL_SET    |            | SOFT_RST    | MCS          |             | PUP        | 0x00  | RW   |    |
| 0x01     | PLL_CLK_CTRL1        | [7:0] | LOPWR_MODE  |            | MCLKO_SEL   |            | PLL_MUTE    | PLL_LOCK     | VREF_EN     | CLK_SEL    | 0x2A  | RW   |    |
| 0x02     | PDN_THRMSSENS_CTRL_1 | [7:0] | THRM_RATE   |            | THRM_MODE   | THRM_GO    | RESERVED    | TS_PDN       | PLL_PDN     | VREG_PDN   | 0xA0  | RW   |    |
| 0x03     | PDN_CTRL2            | [7:0] | DAC08_PDN   | DAC07_PDN  | DAC06_PDN   | DAC05_PDN  | DAC04_PDN   | DAC03_PDN    | DAC02_PDN   | DAC01_PDN  | 0x00  | RW   |    |
| 0x04     | PDN_CTRL3            | [7:0] | RESERVED    |            |             |            | DAC12_PDN   | DAC11_PDN    | DAC10_PDN   | DAC09_PDN  | 0x00  | RW   |    |
| 0x05     | THRM_TEMP_STAT       | [7:0] | TEMP        |            |             |            |             |              |             |            |       | 0x00 | R  |
| 0x06     | DAC_CTRL0            | [7:0] | SDATA_FMT   |            | SAI         |            |             | FS           |             | MMUTE      | 0x01  | RW   |    |
| 0x07     | DAC_CTRL1            | [7:0] | BCLK_GEN    | LRCLK_MODE | LRCLK_POL   | SAI_MSB    | RESERVED    | BCLK_RATE    | BCLK_EDGE   | SAI_MS     | 0x00  | RW   |    |
| 0x08     | DAC_CTRL2            | [7:0] | RESERVED    | RESERVED   |             | BCLK_TDMC  | DAC_POL     | AUTO_MUTE_EN | DAC_OSR     | DE_EMP_EN  | 0x06  | RW   |    |
| 0x09     | DAC_MUTE1            | [7:0] | DAC08_MUTE  | DAC07_MUTE | DAC06_MUTE  | DAC05_MUTE | DAC04_MUTE  | DAC03_MUTE   | DAC02_MUTE  | DAC01_MUTE | 0x00  | RW   |    |
| 0x0A     | DAC_MUTE2            | [7:0] | RESERVED    | RESERVED   | RESERVED    | RESERVED   | DAC12_MUTE  | DAC11_MUTE   | DAC10_MUTE  | DAC09_MUTE | 0x00  | RW   |    |
| 0x0B     | DACMSTR_VOL          | [7:0] | DACMSTR_VOL |            |             |            |             |              |             |            |       | 0x00 | RW |
| 0x0C     | DAC01_VOL            | [7:0] | DAC01_VOL   |            |             |            |             |              |             |            |       | 0x00 | RW |
| 0x0D     | DAC02_VOL            | [7:0] | DAC02_VOL   |            |             |            |             |              |             |            |       | 0x00 | RW |
| 0x0E     | DAC03_VOL            | [7:0] | DAC03_VOL   |            |             |            |             |              |             |            |       | 0x00 | RW |
| 0x0F     | DAC04_VOL            | [7:0] | DAC04_VOL   |            |             |            |             |              |             |            |       | 0x00 | RW |
| 0x10     | DAC05_VOL            | [7:0] | DAC05_VOL   |            |             |            |             |              |             |            |       | 0x00 | RW |
| 0x11     | DAC06_VOL            | [7:0] | DAC06_VOL   |            |             |            |             |              |             |            |       | 0x00 | RW |
| 0x12     | DAC07_VOL            | [7:0] | DAC07_VOL   |            |             |            |             |              |             |            |       | 0x00 | RW |
| 0x13     | DAC08_VOL            | [7:0] | DAC08_VOL   |            |             |            |             |              |             |            |       | 0x00 | RW |
| 0x14     | DAC09_VOL            | [7:0] | DAC09_VOL   |            |             |            |             |              |             |            |       | 0x00 | RW |
| 0x15     | DAC10_VOL            | [7:0] | DAC10_VOL   |            |             |            |             |              |             |            |       | 0x00 | RW |
| 0x16     | DAC11_VOL            | [7:0] | DAC11_VOL   |            |             |            |             |              |             |            |       | 0x00 | RW |
| 0x17     | DAC12_VOL            | [7:0] | DAC12_VOL   |            |             |            |             |              |             |            |       | 0x00 | RW |
| 0x1C     | PAD_STRGTH           | [7:0] | RESERVED    |            | PAD_DRV     | RESERVED   |             |              |             |            |       | 0x00 | RW |
| 0x1D     | DAC_POWER1           | [7:0] | DAC04_POWER |            | DAC03_POWER |            | DAC02_POWER |              | DAC01_POWER |            |       | 0xAA | RW |
| 0x1E     | DAC_POWER2           | [7:0] | DAC08_POWER |            | DAC07_POWER |            | DAC06_POWER |              | DAC05_POWER |            |       | 0xAA | RW |
| 0x1F     | DAC_POWER3           | [7:0] | DAC12_POWER |            | DAC11_POWER |            | DAC10_POWER |              | DAC09_POWER |            |       | 0xAA | RW |



## REGISTER DETAILS

## PLL AND CLOCK CONTROL 0 REGISTER

Address: 0x00, Reset: 0x00, Name: PLL\_CLK\_CTRL0

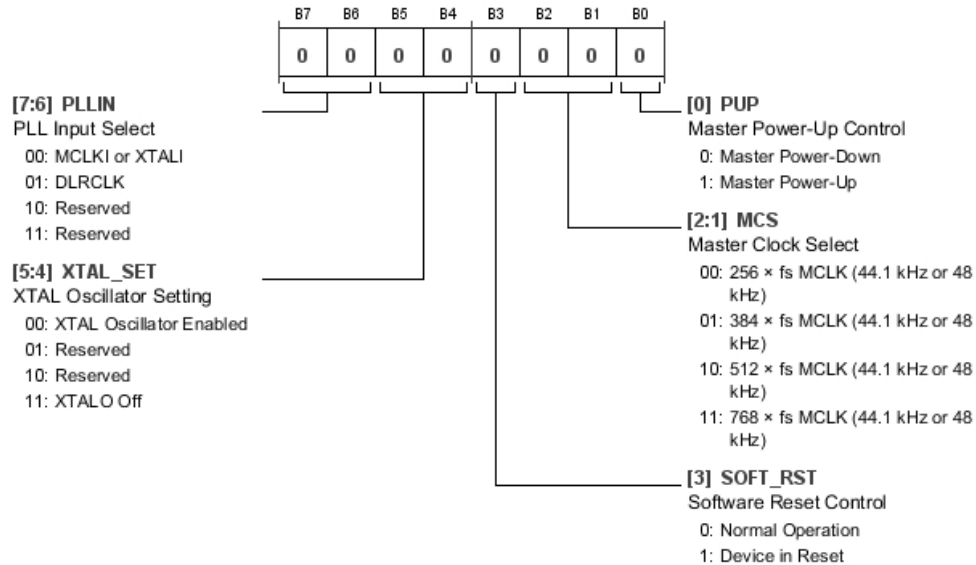
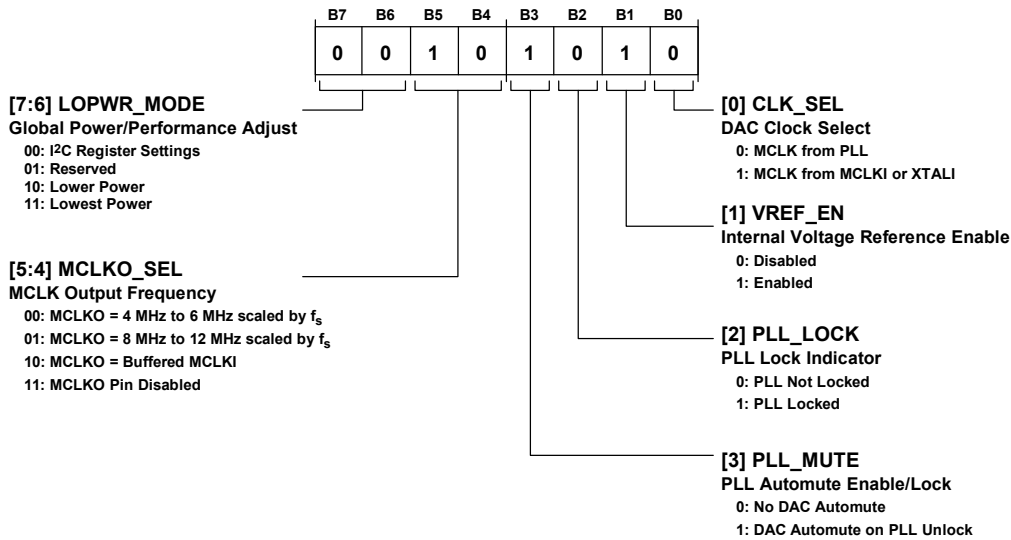


Table 25. Bit Descriptions for PLL\_CLK\_CTRL0

| Bits  | Bit Name | Settings             | Description  | Reset | Access |
|-------|----------|----------------------|--|-------|--------|
| [7:6] | PLLIN    | 00<br>01<br>10<br>11 | PLL Input Select. Selects between MCLKI/XTALI and DLRCLK as the input to the PLL.<br>MCLKI or XTALI.<br>DLRCLK.<br>Reserved.<br>Reserved.  | 0x0   | RW     |
| [5:4] | XTAL_SET | 00<br>01<br>10<br>11 | XTAL Oscillator Setting. XTALO pin status.<br>XTAL Oscillator Enabled.<br>Reserved.<br>Reserved.<br>XTALO Off.   | 0x0   | RW     |
| 3     | SOFT_RST | 0<br>1               | Software Reset Control. This bit resets all circuitry inside the IC, except I <sup>2</sup> C/SPI communications. All control registers are reset to default values, except Register 0x00 and Register 0x01. The PLL_CLK_CTRLx registers do not change state.<br>Normal Operation.<br>Device in Reset.  | 0x0   | RW     |
| [2:1] | MCS      | 00<br>01<br>10<br>11 | Master Clock Select. MCLKI/XTALI pin functionality (PLL active), master clock rate setting. The following values are for the $f_s$ rate range from 32 kHz to 48 kHz. See Table 12 for details when using other $f_s$ selections.<br>$256 \times f_s$ MCLK (44.1 kHz or 48 kHz).<br>$384 \times f_s$ MCLK (44.1 kHz or 48 kHz).<br>$512 \times f_s$ MCLK (44.1 kHz or 48 kHz).<br>$768 \times f_s$ MCLK (44.1 kHz or 48 kHz). | 0x0   | RW     |
| 0     | PUP      | 0<br>1               | Master Power-Up Control. This bit must be set to 1 as the first register write to power up the IC.<br>Master Power-Down.<br>Master Power-Up.   | 0x0   | RW     |

**PLL AND CLOCK CONTROL 1 REGISTER**

Address: 0x01, Reset: 0x2A, Name: PLL\_CLK\_CTRL1



**Table 26. Bit Descriptions for PLL\_CLK\_CTRL1**

| Bits  | Bit Name   | Settings             | Description   | Reset | Access |
|-------|------------|----------------------|---|-------|--------|
| [7:6] | LOPWR_MODE | 00<br>01<br>10<br>11 | Global Power/Performance Adjust. These bits adjust the power consumption and performance level for all 12 DAC channels at once. See the DACs section for more details.<br>I <sup>2</sup> C Register Settings.<br>Reserved.<br>Lower Power.<br>Lowest Power. | 0x0   | RW     |
| [5:4] | MCLKO_SEL  | 00<br>01<br>10<br>11 | MCLK Output Frequency. Frequency selection for MCLKO pin. See the Clock Signals section for more details.<br>MCLKO = 4 MHz to 6 MHz scaled by $f_s$ .<br>MCLKO = 8 MHz to 12 MHz scaled by $f_s$ .<br>MCLKO = Buffered MCLKI.<br>MCLKO Pin Disabled.        | 0x2   | RW     |
| 3     | PLL_MUTE   | 0<br>1               | PLL Automute Enable/Lock. This bit enables the PLL lock automute function.<br>No DAC Automute.<br>DAC Automute on PLL Unlock.   | 0x1   | RW     |
| 2     | PLL_LOCK   | 0<br>1               | PLL Lock Indicator.<br>PLL Not Locked.<br>PLL Locked.   | 0x0   | R      |
| 1     | VREF_EN    | 0<br>1               | Internal Voltage Reference Enable. The internal voltage reference powers the common mode for the ADAU1962A. Disabling this bit allows the user to drive the CM pin with an outside voltage source.<br>Disabled.<br>Enabled.                                 | 0x1   | RW     |
| 0     | CLK_SEL    | 0<br>1               | DAC Clock Select. Selects between PLL and direct MCLK mode.<br>MCLK from PLL.<br>MCLK from MCLKI or XTALI.  | 0x0   | RW     |

**BLOCK POWER-DOWN AND THERMAL SENSOR CONTROL 1 REGISTER**

Address: 0x02, Reset: 0xA0, Name: PDN\_THRMSSENS\_CTRL\_1

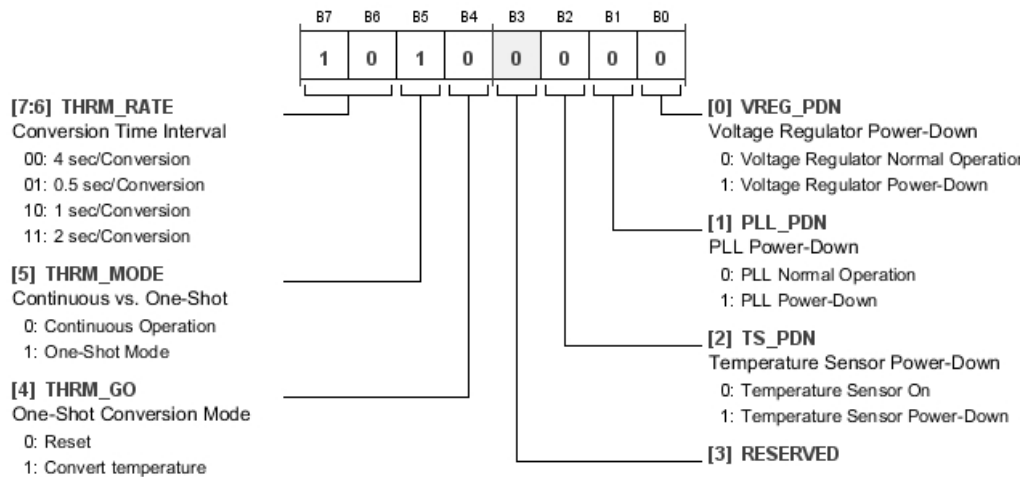


Table 27. Bit Descriptions for PDN\_THRMSSENS\_CTRL\_1

| Bits  | Bit Name  | Settings             | Description   | Reset | Access |
|-------|-----------|----------------------|---|-------|--------|
| [7:6] | THRM_RATE | 00<br>01<br>10<br>11 | Conversion Time Interval. When THRM_MODE = 0, the THRM_RATE bits control the time interval between temperature conversions.<br>4 sec/Conversion.<br>0.5 sec/Conversion.<br>1 sec/Conversion.<br>2 sec/Conversion.   | 0x2   | RW     |
| 5     | THRM_MODE | 0<br>1               | Continuous vs. One-Shot. Determines whether the temperature conversions occur continuously or only when commanded. To perform one-shot temperature conversions, set this bit to 1.<br>Continuous Operation.<br>One-Shot Mode.   | 0x1   | RW     |
| 4     | THRM_GO   | 0<br>1               | One-Shot Conversion Mode. When in one-shot conversion mode, THRM_MODE = 1, the THRM_GO bit must be set to 0 followed by a write of 1. This sequence results in a single temperature conversion. The temperature data is available 120 ms after writing a 1 to this bit.<br>Reset.<br>Convert Temperature. | 0x0   | RW     |
| 2     | TS_PDN    | 0<br>1               | Temperature Sensor Power-Down.<br>Temperature Sensor On.<br>Temperature Sensor Power-Down.  | 0x0   | RW     |
| 1     | PLL_PDN   | 0<br>1               | PLL Power-Down.<br>PLL Normal Operation.<br>PLL Power-Down.   | 0x0   | RW     |
| 0     | VREG_PDN  | 0<br>1               | Voltage Regulator Power-Down.<br>Voltage Regulator Normal Operation.<br>Voltage Regulator Power-Down.   | 0x0   | RW     |

**POWER-DOWN CONTROL 2 REGISTER**

Address: 0x03, Reset: 0x00, Name: PDN\_CTRL2

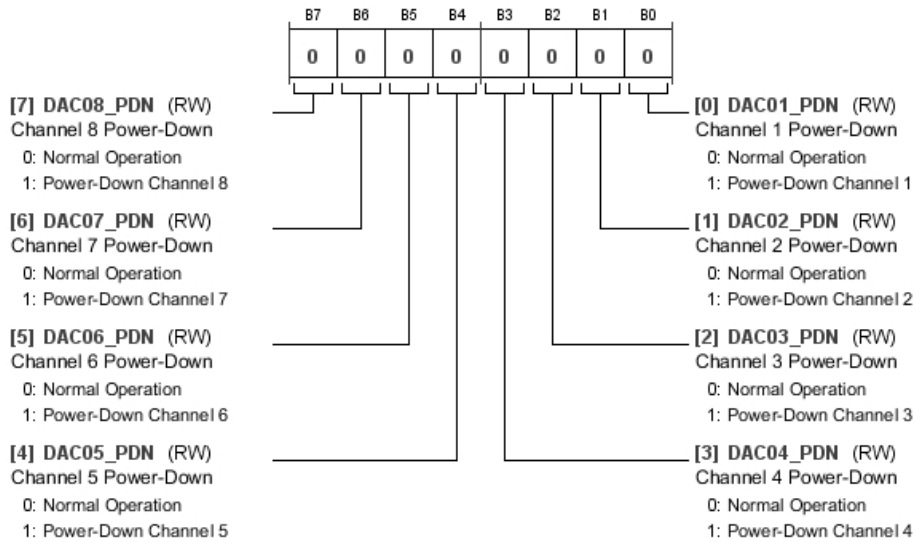


Table 28. Bit Descriptions for PDN\_CTRL2

| Bits | Bit Name  | Settings | Description  | Reset | Access |
|------|-----------|----------|--|-------|--------|
| 7    | DAC08_PDN | 0<br>1   | Channel 8 Power-Down<br>Normal Operation<br>Power-Down Channel 8 | 0x0   | RW     |
| 6    | DAC07_PDN | 0<br>1   | Channel 7 Power-Down<br>Normal Operation<br>Power-Down Channel 7 | 0x0   | RW     |
| 5    | DAC06_PDN | 0<br>1   | Channel 6 Power-Down<br>Normal Operation<br>Power-Down Channel 6 | 0x0   | RW     |
| 4    | DAC05_PDN | 0<br>1   | Channel 5 Power-Down<br>Normal Operation<br>Power-Down Channel 5 | 0x0   | RW     |
| 3    | DAC04_PDN | 0<br>1   | Channel 4 Power-Down<br>Normal Operation<br>Power-Down Channel 4 | 0x0   | RW     |
| 2    | DAC03_PDN | 0<br>1   | Channel 3 Power-Down<br>Normal Operation<br>Power-Down Channel 3 | 0x0   | RW     |
| 1    | DAC02_PDN | 0<br>1   | Channel 2 Power-Down<br>Normal Operation<br>Power-Down Channel 2 | 0x0   | RW     |
| 0    | DAC01_PDN | 0<br>1   | Channel 1 Power-Down<br>Normal Operation<br>Power-Down Channel 1 | 0x0   | RW     |

**POWER-DOWN CONTROL 3 REGISTER**

Address: 0x04, Reset: 0x00, Name: PDN\_CTRL3

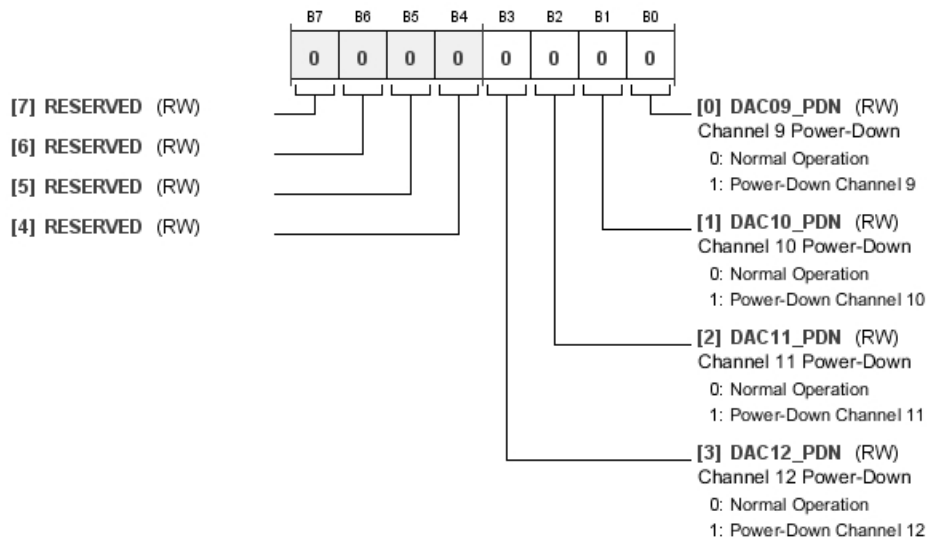


Table 29. Bit Descriptions for PDN\_CTRL3

| Bits | Bit Name  | Settings | Description  | Reset | Access |
|------|-----------|----------|--|-------|--------|
| 3    | DAC12_PDN | 0<br>1   | Channel 12 Power-Down<br>Normal Operation<br>Power-Down Channel 12 | 0x0   | RW     |
| 2    | DAC11_PDN | 0<br>1   | Channel 11 Power-Down<br>Normal Operation<br>Power-Down Channel 11 | 0x0   | RW     |
| 1    | DAC10_PDN | 0<br>1   | Channel 10 Power-Down<br>Normal Operation<br>Power-Down Channel 10 | 0x0   | RW     |
| 0    | DAC09_PDN | 0<br>1   | Channel 9 Power-Down<br>Normal Operation<br>Power-Down Channel 9   | 0x0   | RW     |

**THERMAL SENSOR TEMPERATURE READOUT REGISTER**

Address: 0x05, Reset: 0x00, Name: THRM\_TEMP\_STAT

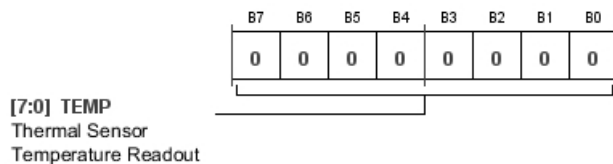
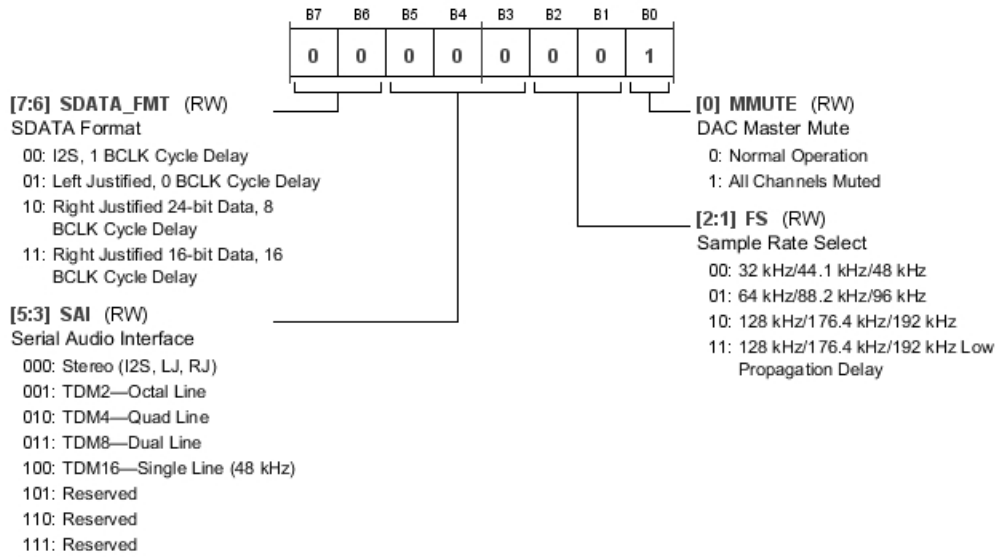


Table 30. Bit Descriptions for THRM\_TEMP\_STAT

| Bits  | Bit Name | Settings | Description   | Reset | Access |
|-------|----------|----------|---|-------|--------|
| [7:0] | TEMP     |          | Thermal Sensor Temperature Readout. –60°C to +140°C range, 1°C step size. To convert the hexadecimal or binary TEMP value into decimal form, use the following equation: (TEMP – 60). The result is the temperature in degrees Celsius. | 0x00  | R      |

**DAC CONTROL 0 REGISTER**

Address: 0x06, Reset: 0x01, Name: DAC\_CTRL0



**Table 31. Bit Descriptions for DAC\_CTRL0**

| Bits  | Bit Name  | Settings   | Description   | Reset | Access |
|-------|-----------|--|---|-------|--------|
| [7:6] | SDATA_FMT | 00<br>01<br>10<br>11                                 | SDATA Format. Only used when SAI = 000.<br>I <sup>2</sup> S, 1 BCLK Cycle Delay.<br>Left Justified, 0 BCLK Cycle Delay.<br>Right Justified, 24-Bit Data, 8 BCLK Cycle Delay.<br>Right Justified, 16-Bit Data, 16 BCLK Cycle Delay.                            | 0x0   | RW     |
| [5:3] | SAI       | 000<br>001<br>010<br>011<br>100<br>101<br>110<br>111 | Serial Audio Interface. When SAI = 000, the SDATA_FMT bits control stereo SDATA format.<br>Stereo (I <sup>2</sup> S, LJ, RJ).<br>TDM2—Octal Line.<br>TDM4—Quad Line.<br>TDM8—Dual Line.<br>TDM16—Single Line (48 kHz).<br>Reserved.<br>Reserved.<br>Reserved. | 0x0   | RW     |
| [2:1] | FS        | 00<br>01<br>10<br>11                                 | Sample Rate Select.<br>32 kHz/44.1 kHz/48 kHz.<br>64 kHz/88.2 kHz/96 kHz.<br>128 kHz/176.4 kHz/192 kHz.<br>128 kHz/176.4 kHz/192 kHz Low Propagation Delay.   | 0x0   | RW     |
| 0     | MMUTE     | 0<br>1   | DAC Master Mute.<br>Normal Operation.<br>All Channels Muted.  | 0x1   | RW     |

**DAC CONTROL 1 REGISTER**

Address: 0x07, Reset: 0x00, Name: DAC\_CTRL1

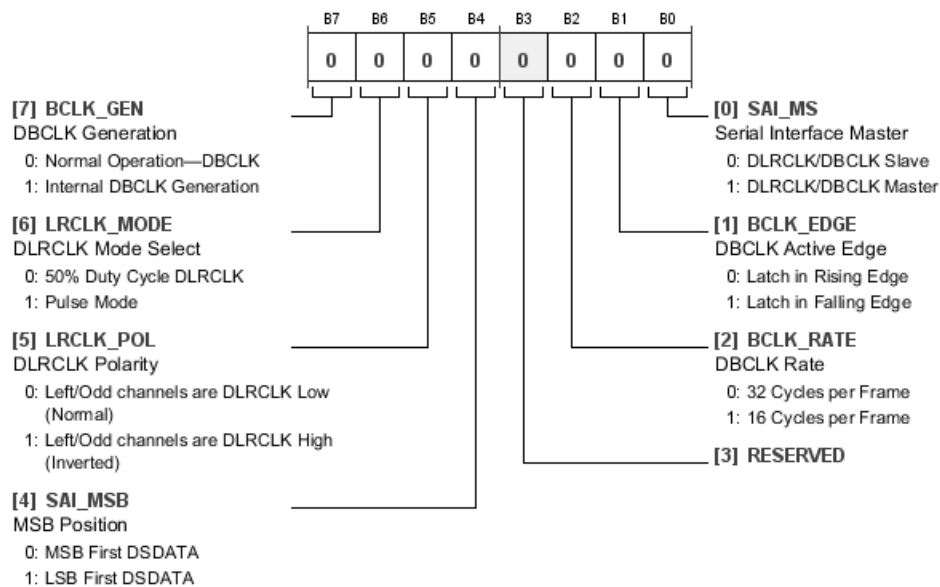


Table 32. Bit Descriptions for DAC\_CTRL1

| Bits | Bit Name   | Settings | Description   | Reset | Access |
|------|------------|----------|---|-------|--------|
| 7    | BCLK_GEN   | 0<br>1   | DBCLK Generation. When the PLL is locked to DLRCLK, it is possible to run the ADAU1962A without an external DBCLK.<br>0 Normal Operation—DBCLK.<br>1 Internal DBCLK Generation. | 0x0   | RW     |
| 6    | LRCLK_MODE | 0<br>1   | DLRCLK Mode Select. Only Valid for TDM modes.<br>0 50% Duty Cycle DLRCLK.<br>1 Pulse Mode.  | 0x0   | RW     |
| 5    | LRCLK_POL  | 0<br>1   | DLRCLK Polarity. Allows the swapping of data between channels.<br>0 Left/Odd channels are DLRCLK Low (Normal).<br>1 Left/Odd channels are DLRCLK High (Inverted).               | 0x0   | RW     |
| 4    | SAI_MSB    | 0<br>1   | MSB Position.<br>0 MSB First DSDATA.<br>1 LSB First DSDATA.   | 0x0   | RW     |
| 2    | BCLK_RATE  | 0<br>1   | DBCLK Rate. Number of DBCLK cycles per DLRCLK frame. Used only for generating DBCLK in master mode operation (SAI_MS = 1).<br>0 32 Cycles per Frame.<br>1 16 Cycles per Frame.  | 0x0   | RW     |
| 1    | BCLK_EDGE  | 0<br>1   | DBCLK Active Edge. Adjust the polarity of the DBCLK leading edge.<br>0 Latch in Rising Edge.<br>1 Latch in Falling Edge.  | 0x0   | RW     |
| 0    | SAI_MS     | 0<br>1   | Serial Interface Master. Both DLRCLK and DBCLK become the master when enabled.<br>0 DLRCLK/DBCLK Slave.<br>1 DLRCLK/DBCLK Master.   | 0x0   | RW     |

**DAC CONTROL 2 REGISTER**

Address: 0x08, Reset: 0x06, Name: DAC\_CTRL2

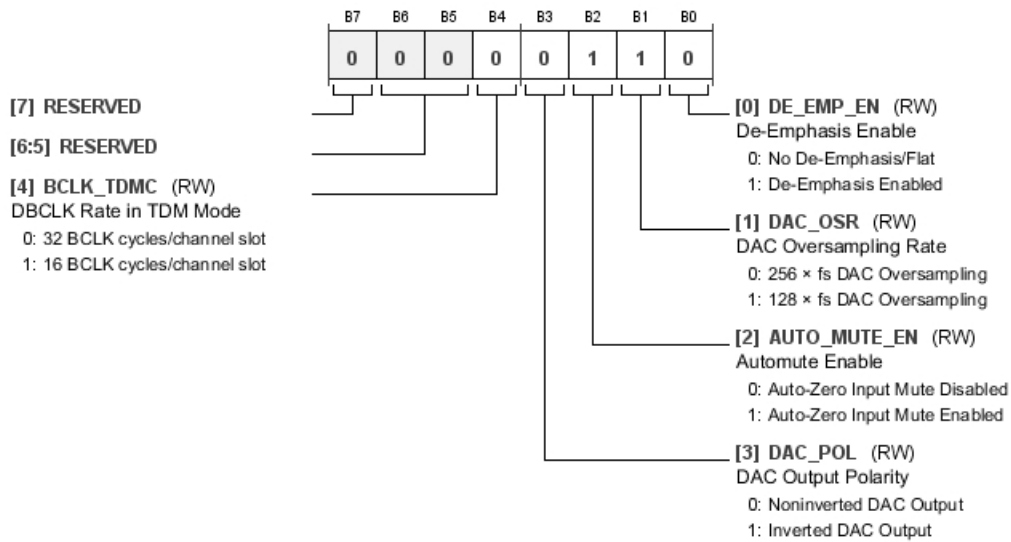


Table 33. Bit Descriptions for DAC\_CTRL2

| Bits | Bit Name     | Settings | Description  | Reset | Access |
|------|--------------|----------|--|-------|--------|
| 4    | BCLK_TDMC    | 0<br>1   | DBCLK Rate in TDM Mode. Number of DBCLK cycles per channel slot when in TDM mode.<br>0 32 BCLK cycles/channel slot.<br>1 16 BCLK cycles/channel slot.  | 0x0   | RW     |
| 3    | DAC_POL      | 0<br>1   | DAC Output Polarity. This is a global switch of DAC polarity.<br>0 Noninverted DAC Output.<br>1 Inverted DAC Output.   | 0x0   | RW     |
| 2    | AUTO_MUTE_EN | 0<br>1   | Automute Enable. Automatically mutes the DACs when 1024 consecutive zero input samples are received. This is independent per channel.<br>0 Auto-Zero Input Mute Disabled.<br>1 Auto-Zero Input Mute Enabled. | 0x1   | RW     |
| 1    | DAC_OSR      | 0<br>1   | DAC Oversampling Rate. OSR selection.<br>0 256 × fs DAC Oversampling.<br>1 128 × fs DAC Oversampling.  | 0x1   | RW     |
| 0    | DE_EMP_EN    | 0<br>1   | De-Emphasis Enable.<br>0 No De-Emphasis/Flat.<br>1 De-Emphasis Enabled.  | 0x0   | RW     |



**DAC INDIVIDUAL CHANNEL MUTES 1 REGISTER**

Address: 0x09, Reset: 0x00, Name: DAC\_MUTE1

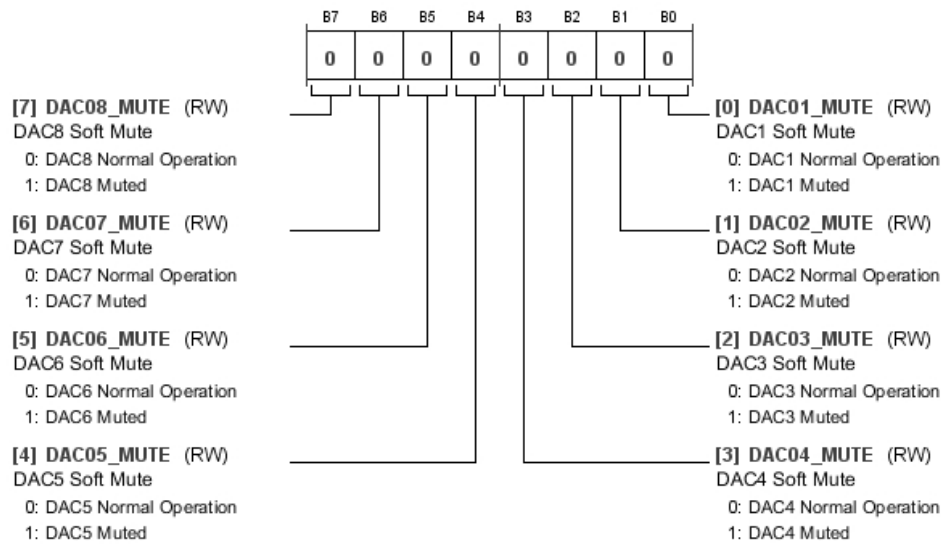


Table 34. Bit Descriptions for DAC\_MUTE1

| Bits | Bit Name   | Settings | Description   | Reset | Access |
|------|------------|----------|---|-------|--------|
| 7    | DAC08_MUTE | 0<br>1   | DAC8 Soft Mute<br>DAC8 Normal Operation<br>DAC8 Muted | 0x0   | RW     |
| 6    | DAC07_MUTE | 0<br>1   | DAC7 Soft Mute<br>DAC7 Normal Operation<br>DAC7 Muted | 0x0   | RW     |
| 5    | DAC06_MUTE | 0<br>1   | DAC6 Soft Mute<br>DAC6 Normal Operation<br>DAC6 Muted | 0x0   | RW     |
| 4    | DAC05_MUTE | 0<br>1   | DAC5 Soft Mute<br>DAC5 Normal Operation<br>DAC5 Muted | 0x0   | RW     |
| 3    | DAC04_MUTE | 0<br>1   | DAC4 Soft Mute<br>DAC4 Normal Operation<br>DAC4 Muted | 0x0   | RW     |
| 2    | DAC03_MUTE | 0<br>1   | DAC3 Soft Mute<br>DAC3 Normal Operation<br>DAC3 Muted | 0x0   | RW     |
| 1    | DAC02_MUTE | 0<br>1   | DAC2 Soft Mute<br>DAC2 Normal Operation<br>DAC2 Muted | 0x0   | RW     |
| 0    | DAC01_MUTE | 0<br>1   | DAC1 Soft Mute<br>DAC1 Normal Operation<br>DAC1 Muted | 0x0   | RW     |

**DAC INDIVIDUAL CHANNEL MUTES 2 REGISTER**

Address: 0x0A, Reset: 0x00, Name: DAC\_MUTE2

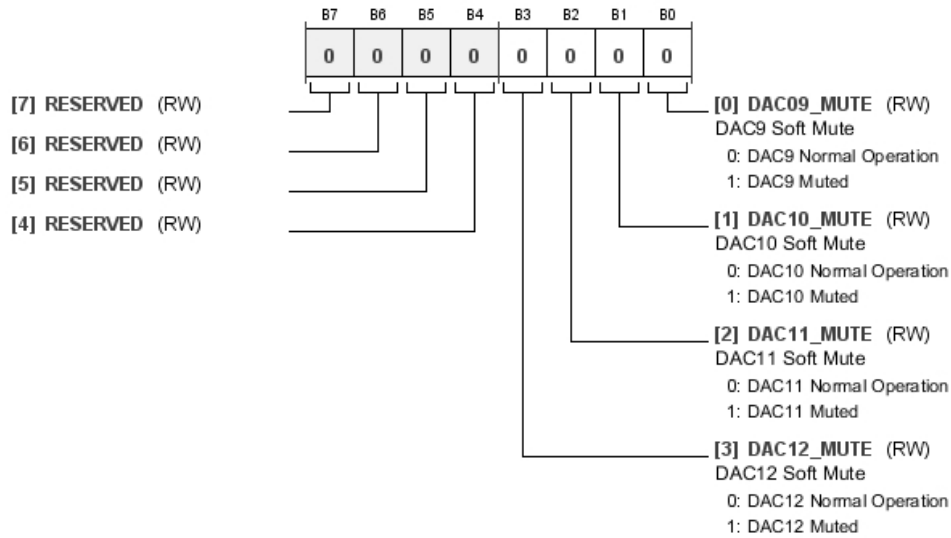


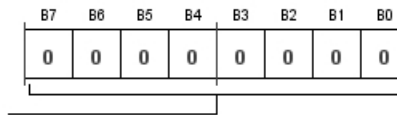
Table 35. Bit Descriptions for DAC\_MUTE2

| Bits | Bit Name   | Settings | Description  | Reset | Access |
|------|------------|----------|--|-------|--------|
| 3    | DAC12_MUTE | 0<br>1   | DAC12 Soft Mute<br>DAC12 Normal Operation<br>DAC12 Muted | 0x0   | RW     |
| 2    | DAC11_MUTE | 0<br>1   | DAC11 Soft Mute<br>DAC11 Normal Operation<br>DAC11 Muted | 0x0   | RW     |
| 1    | DAC10_MUTE | 0<br>1   | DAC10 Soft Mute<br>DAC10 Normal Operation<br>DAC10 Muted | 0x0   | RW     |
| 0    | DAC09_MUTE | 0<br>1   | DAC9 Soft Mute<br>DAC9 Normal Operation<br>DAC9 Muted    | 0x0   | RW     |

**MASTER VOLUME CONTROL REGISTER**

Address: 0x0B, Reset: 0x00, Name: DACMSTR\_VOL

Each 1-bit step corresponds to a 0.375 dB change in volume. See Table 53 for a complete list of the volume settings.



**[7:0] DACMSTR\_VOL**  
 Master Volume Control  
 00000000: 0 dB (default)  
 00000001: -0.375 dB  
 00000010: -0.750 dB  
 11111110: -95.250 dB  
 11111111: -95.625 dB

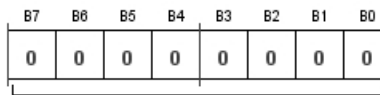
Table 36. Bit Descriptions for DACMSTR\_VOL

| Bits  | Bit Name    | Settings   | Description   | Reset | Access |
|-------|-------------|--|---|-------|--------|
| [7:0] | DACMSTR_VOL | 00000000<br>00000001<br>00000010<br>11111110<br>11111111 | Master Volume Control<br>0 dB (default)<br>-0.375 dB<br>-0.750 dB<br>-95.250 dB<br>-95.625 dB | 0x00  | RW     |

**DAC 1 VOLUME CONTROL REGISTER**

Address: 0x0C, Reset: 0x00, Name: DAC01\_VOL

Each 1-bit step corresponds to a 0.375 dB change in volume. See Table 53 for a complete list of the volume settings.



**[7:0] DAC01\_VOL**  
 DAC Volume Control Channel 1  
 00000000: 0 dB (default)  
 00000001: -0.375 dB  
 00000010: -0.750 dB  
 11111110: -95.250 dB  
 11111111: -95.625 dB

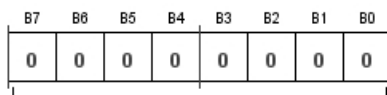
Table 37. Bit Descriptions for DAC01\_VOL

| Bits  | Bit Name  | Settings   | Description  | Reset | Access |
|-------|-----------|--|--|-------|--------|
| [7:0] | DAC01_VOL | 00000000<br>00000001<br>00000010<br>11111110<br>11111111 | DAC Volume Control Channel 1<br>0 dB (default)<br>-0.375 dB<br>-0.750 dB<br>-95.250 dB<br>-95.625 dB | 0x00  | RW     |

**DAC 2 VOLUME CONTROL REGISTER**

Address: 0x0D, Reset: 0x00, Name: DAC02\_VOL

Each 1-bit step corresponds to a 0.375 dB change in volume. See Table 53 for a complete list of the volume settings.



**[7:0] DAC02\_VOL**  
 DAC Volume Control Channel 2  
 00000000: 0 dB (default)  
 00000001: -0.375 dB  
 00000010: -0.750 dB  
 11111110: -95.250 dB  
 11111111: -95.625 dB

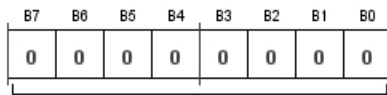
Table 38. Bit Descriptions for DAC02\_VOL

| Bits  | Bit Name  | Settings | Description                  | Reset | Access |
|-------|-----------|----------|------------------------------|-------|--------|
| [7:0] | DAC02_VOL |          | DAC Volume Control Channel 2 | 0x00  | RW     |
|       |           | 00000000 | 0 dB (default)               |       |        |
|       |           | 00000001 | -0.375 dB                    |       |        |
|       |           | 00000010 | -0.750 dB                    |       |        |
|       |           | 11111110 | -95.250 dB                   |       |        |
|       |           | 11111111 | -95.625 dB                   |       |        |

**DAC 3 VOLUME CONTROL REGISTER**

Address: 0x0E, Reset: 0x00, Name: DAC03\_VOL

Each 1-bit step corresponds to a 0.375 dB change in volume. See Table 53 for a complete list of the volume settings.



**[7:0] DAC03\_VOL**  
 DAC Volume Control Channel 3  
 00000000: 0 dB (default)  
 00000001: -0.375 dB  
 00000010: -0.750 dB  
 11111110: -95.250 dB  
 11111111: -95.625 dB

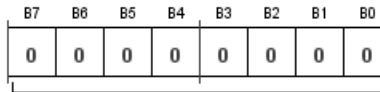
Table 39. Bit Descriptions for DAC03\_VOL

| Bits  | Bit Name  | Settings | Description                  | Reset | Access |
|-------|-----------|----------|------------------------------|-------|--------|
| [7:0] | DAC03_VOL |          | DAC Volume Control Channel 3 | 0x00  | RW     |
|       |           | 00000000 | 0 dB (default)               |       |        |
|       |           | 00000001 | -0.375 dB                    |       |        |
|       |           | 00000010 | -0.750 dB                    |       |        |
|       |           | 11111110 | -95.250 dB                   |       |        |
|       |           | 11111111 | -95.625 dB                   |       |        |

**DAC 4 VOLUME CONTROL REGISTER**

Address: 0x0F, Reset: 0x00, Name: DAC04\_VOL

Each 1-bit step corresponds to a 0.375 dB change in volume. See Table 53 for a complete list of the volume settings.

**[7:0] DAC04\_VOL**

DAC Volume Control Channel 4

00000000: 0 dB (default)

00000001: -0.375 dB

00000010: -0.750 dB

11111110: -95.250 dB

11111111: -95.625 dB

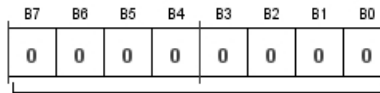
Table 40. Bit Descriptions for DAC04\_VOL

| Bits  | Bit Name  | Settings | Description                  | Reset | Access |
|-------|-----------|----------|------------------------------|-------|--------|
| [7:0] | DAC04_VOL |          | DAC Volume Control Channel 4 | 0x00  | RW     |
|       |           | 00000000 | 0 dB (default)               |       |        |
|       |           | 00000001 | -0.375 dB                    |       |        |
|       |           | 00000010 | -0.750 dB                    |       |        |
|       |           | 11111110 | -95.250 dB                   |       |        |
|       |           | 11111111 | -95.625 dB                   |       |        |

**DAC 5 VOLUME CONTROL REGISTER**

Address: 0x10, Reset: 0x00, Name: DAC05\_VOL

Each 1-bit step corresponds to a 0.375 dB change in volume. See Table 53 for a complete list of the volume settings.

**[7:0] DAC05\_VOL**

DAC Volume Control Channel 5

00000000: 0 dB (default)

00000001: -0.375 dB

00000010: -0.750 dB

11111110: -95.250 dB

11111111: -95.625 dB

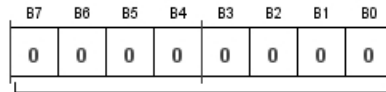
Table 41. Bit Descriptions for DAC05\_VOL

| Bits  | Bit Name  | Settings | Description                  | Reset | Access |
|-------|-----------|----------|------------------------------|-------|--------|
| [7:0] | DAC05_VOL |          | DAC Volume Control Channel 5 | 0x00  | RW     |
|       |           | 00000000 | 0 dB (default)               |       |        |
|       |           | 00000001 | -0.375 dB                    |       |        |
|       |           | 00000010 | -0.750 dB                    |       |        |
|       |           | 11111110 | -95.250 dB                   |       |        |
|       |           | 11111111 | -95.625 dB                   |       |        |

**DAC 6 VOLUME CONTROL REGISTER**

Address: 0x11, Reset: 0x00, Name: DAC06\_VOL

Each 1-bit step corresponds to a 0.375 dB change in volume. See Table 53 for a complete list of the volume settings.



**[7:0] DAC06\_VOL**  
 DAC Volume Control Channel 6  
 00000000: 0 dB (default)  
 00000001: -0.375 dB  
 00000010: -0.750 dB  
 11111110: -95.250 dB  
 11111111: -95.625 dB

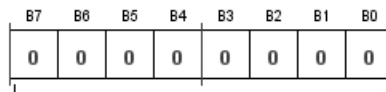
Table 42. Bit Descriptions for DAC06\_VOL

| Bits  | Bit Name  | Settings | Description                  | Reset | Access |
|-------|-----------|----------|------------------------------|-------|--------|
| [7:0] | DAC06_VOL |          | DAC Volume Control Channel 6 | 0x00  | RW     |
|       |           | 00000000 | 0 dB (default)               |       |        |
|       |           | 00000001 | -0.375 dB                    |       |        |
|       |           | 00000010 | -0.750 dB                    |       |        |
|       |           | 11111110 | -95.250 dB                   |       |        |
|       |           | 11111111 | -95.625 dB                   |       |        |

**DAC 7 VOLUME CONTROL REGISTER**

Address: 0x12, Reset: 0x00, Name: DAC07\_VOL

Each 1-bit step corresponds to a 0.375 dB change in volume. See Table 53 for a complete list of the volume settings.



**[7:0] DAC07\_VOL**  
 DAC Volume Control Channel 7  
 00000000: 0 dB (default)  
 00000001: -0.375 dB  
 00000010: -0.750 dB  
 11111110: -95.250 dB  
 11111111: -95.625 dB

Table 43. Bit Descriptions for DAC07\_VOL

| Bits  | Bit Name  | Settings | Description                  | Reset | Access |
|-------|-----------|----------|------------------------------|-------|--------|
| [7:0] | DAC07_VOL |          | DAC Volume Control Channel 7 | 0x00  | RW     |
|       |           | 00000000 | 0 dB (default)               |       |        |
|       |           | 00000001 | -0.375 dB                    |       |        |
|       |           | 00000010 | -0.750 dB                    |       |        |
|       |           | 11111110 | -95.250 dB                   |       |        |
|       |           | 11111111 | -95.625 dB                   |       |        |

**DAC 8 VOLUME CONTROL REGISTER**

Address: 0x13, Reset: 0x00, Name: DAC08\_VOL

Each 1-bit step corresponds to a 0.375 dB change in volume. See Table 53 for a complete list of the volume settings.

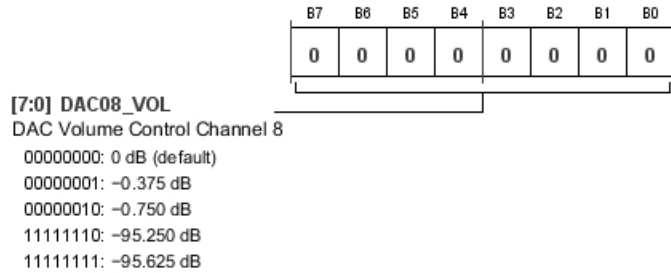


Table 44. Bit Descriptions for DAC08\_VOL

| Bits  | Bit Name  | Settings   | Description  | Reset | Access |
|-------|-----------|--|--|-------|--------|
| [7:0] | DAC08_VOL | 00000000<br>00000001<br>00000010<br>11111110<br>11111111 | DAC Volume Control Channel 8<br>0 dB (default)<br>-0.375 dB<br>-0.750 dB<br>-95.250 dB<br>-95.625 dB | 0x00  | RW     |

**DAC 9 VOLUME CONTROL REGISTER**

Address: 0x14, Reset: 0x00, Name: DAC09\_VOL

Each 1-bit step corresponds to a 0.375 dB change in volume. See Table 53 for a complete list of the volume settings.

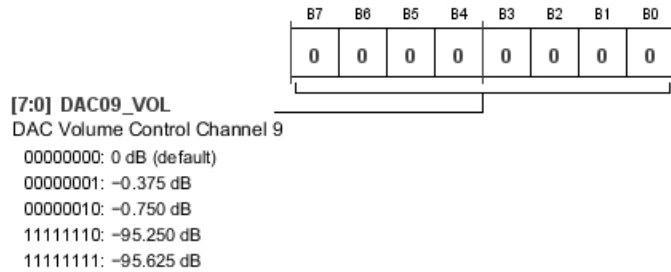


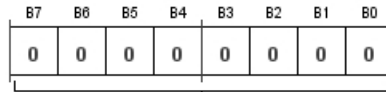
Table 45. Bit Descriptions for DAC09\_VOL

| Bits  | Bit Name  | Settings   | Description  | Reset | Access |
|-------|-----------|--|--|-------|--------|
| [7:0] | DAC09_VOL | 00000000<br>00000001<br>00000010<br>11111110<br>11111111 | DAC Volume Control Channel 9<br>0 dB (default)<br>-0.375 dB<br>-0.750 dB<br>-95.250 dB<br>-95.625 dB | 0x00  | RW     |

**DAC 10 VOLUME CONTROL REGISTER**

Address: 0x15, Reset: 0x00, Name: DAC10\_VOL

Each 1-bit step corresponds to a 0.375 dB change in volume. See Table 53 for a complete list of the volume settings.



**[7:0] DAC10\_VOL**  
 DAC Volume Control Channel 10  
 00000000: 0 dB (default)  
 00000001: -0.375 dB  
 00000010: -0.750 dB  
 11111110: -95.250 dB  
 11111111: -95.625 dB

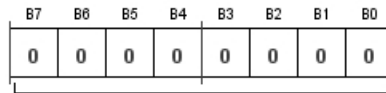
Table 46. Bit Descriptions for DAC10\_VOL

| Bits  | Bit Name  | Settings | Description                   | Reset | Access |
|-------|-----------|----------|-------------------------------|-------|--------|
| [7:0] | DAC10_VOL |          | DAC Volume Control Channel 10 | 0x00  | RW     |
|       |           | 00000000 | 0 dB (default)                |       |        |
|       |           | 00000001 | -0.375 dB                     |       |        |
|       |           | 00000010 | -0.750 dB                     |       |        |
|       |           | 11111110 | -95.250 dB                    |       |        |
|       |           | 11111111 | -95.625 dB                    |       |        |

**DAC 11 VOLUME CONTROL REGISTER**

Address: 0x16, Reset: 0x00, Name: DAC11\_VOL

Each 1-bit step corresponds to a 0.375 dB change in volume. See Table 53 for a complete list of the volume settings.



**[7:0] DAC11\_VOL**  
 DAC Volume Control Channel 11  
 00000000: 0 dB (default)  
 00000001: -0.375 dB  
 00000010: -0.750 dB  
 11111110: -95.250 dB  
 11111111: -95.625 dB

Table 47. Bit Descriptions for DAC11\_VOL

| Bits  | Bit Name  | Settings | Description                   | Reset | Access |
|-------|-----------|----------|-------------------------------|-------|--------|
| [7:0] | DAC11_VOL |          | DAC Volume Control Channel 11 | 0x00  | RW     |
|       |           | 00000000 | 0 dB (default)                |       |        |
|       |           | 00000001 | -0.375 dB                     |       |        |
|       |           | 00000010 | -0.750 dB                     |       |        |
|       |           | 11111110 | -95.250 dB                    |       |        |
|       |           | 11111111 | -95.625 dB                    |       |        |



**DAC 12 VOLUME CONTROL REGISTER**

Address: 0x17, Reset: 0x00, Name: DAC12\_VOL

Each 1-bit step corresponds to a 0.375 dB change in volume. See Table 53 for a complete list of the volume settings.

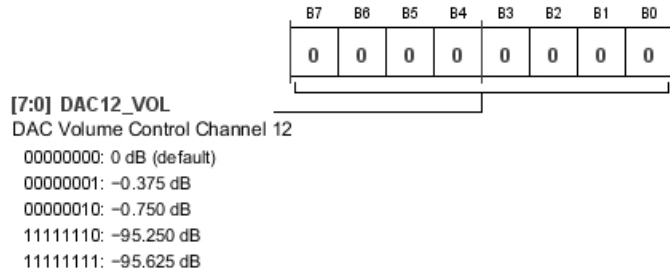


Table 48. Bit Descriptions for DAC12\_VOL

| Bits  | Bit Name  | Settings   | Description   | Reset | Access |
|-------|-----------|--|---|-------|--------|
| [7:0] | DAC12_VOL | 00000000<br>00000001<br>00000010<br>11111110<br>11111111 | DAC Volume Control Channel 12<br>0 dB (default)<br>-0.375 dB<br>-0.750 dB<br>-95.250 dB<br>-95.625 dB | 0x00  | RW     |

**PAD STRENGTH REGISTER**

Address: 0x1C, Reset: 0x00, Name: PAD\_STRGTH

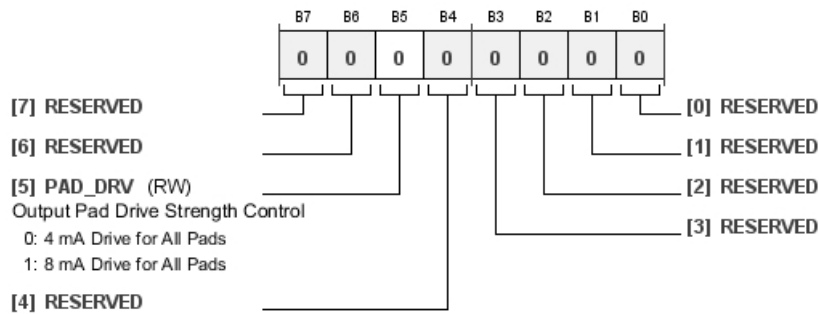
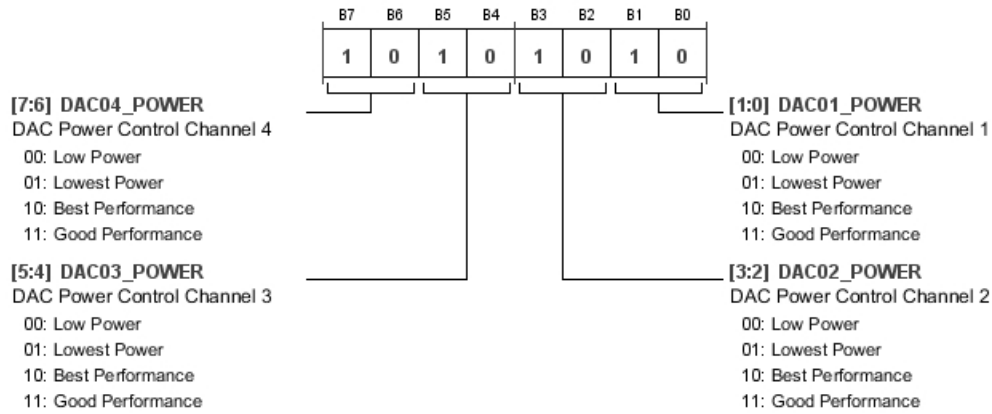


Table 49. Bit Descriptions for PAD\_STRGTH

| Bits | Bit Name | Settings | Description   | Reset | Access |
|------|----------|----------|---|-------|--------|
| 5    | PAD_DRV  | 0<br>1   | Output Pad Drive Strength Control<br>4 mA Drive for All Pads<br>8 mA Drive for All Pads | 0x0   | RW     |

**DAC POWER ADJUST 1 REGISTER**

Address: 0x1D, Reset: 0xAA, Name: DAC\_POWER1

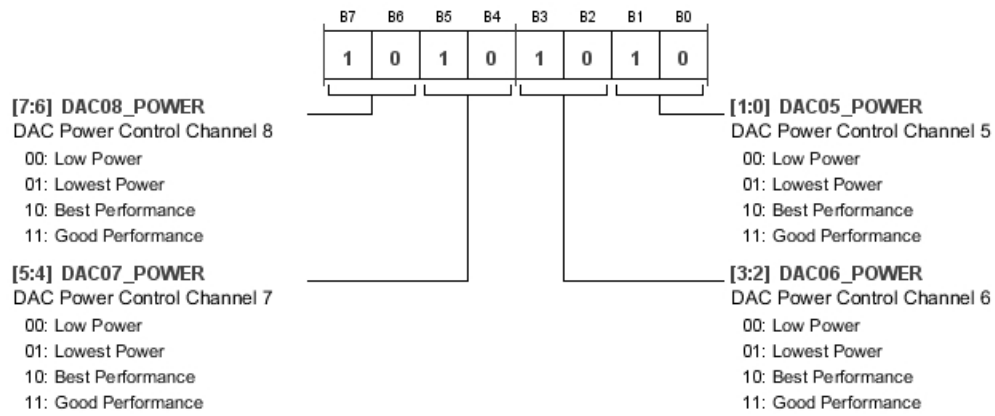


**Table 50. Bit Descriptions for DAC\_POWER1**

| Bits  | Bit Name    | Settings             | Description  | Reset | Access |
|-------|-------------|----------------------|--|-------|--------|
| [7:6] | DAC04_POWER | 00<br>01<br>10<br>11 | DAC Power Control Channel 4<br>Low Power<br>Lowest Power<br>Best Performance<br>Good Performance | 0x2   | RW     |
| [5:4] | DAC03_POWER | 00<br>01<br>10<br>11 | DAC Power Control Channel 3<br>Low Power<br>Lowest Power<br>Best Performance<br>Good Performance | 0x2   | RW     |
| [3:2] | DAC02_POWER | 00<br>01<br>10<br>11 | DAC Power Control Channel 2<br>Low Power<br>Lowest Power<br>Best Performance<br>Good Performance | 0x2   | RW     |
| [1:0] | DAC01_POWER | 00<br>01<br>10<br>11 | DAC Power Control Channel 1<br>Low Power<br>Lowest Power<br>Best Performance<br>Good Performance | 0x2   | RW     |

**DAC POWER ADJUST 2 REGISTER**

Address: 0x1E, Reset: 0xAA, Name: DAC\_POWER2



**Table 51. Bit Descriptions for DAC\_POWER2**

| Bits  | Bit Name    | Settings             | Description  | Reset | Access |
|-------|-------------|----------------------|--|-------|--------|
| [7:6] | DAC08_POWER | 00<br>01<br>10<br>11 | DAC Power Control Channel 8<br>Low Power<br>Lowest Power<br>Best Performance<br>Good Performance | 0x2   | RW     |
| [5:4] | DAC07_POWER | 00<br>01<br>10<br>11 | DAC Power Control Channel 7<br>Low Power<br>Lowest Power<br>Best Performance<br>Good Performance | 0x2   | RW     |
| [3:2] | DAC06_POWER | 00<br>01<br>10<br>11 | DAC Power Control Channel 6<br>Low Power<br>Lowest Power<br>Best Performance<br>Good Performance | 0x2   | RW     |
| [1:0] | DAC05_POWER | 00<br>01<br>10<br>11 | DAC Power Control Channel 5<br>Low Power<br>Lowest Power<br>Best Performance<br>Good Performance | 0x2   | RW     |

**DAC POWER ADJUST 3 REGISTER**

Address: 0x1F, Reset: 0xAA, Name: DAC\_POWER3

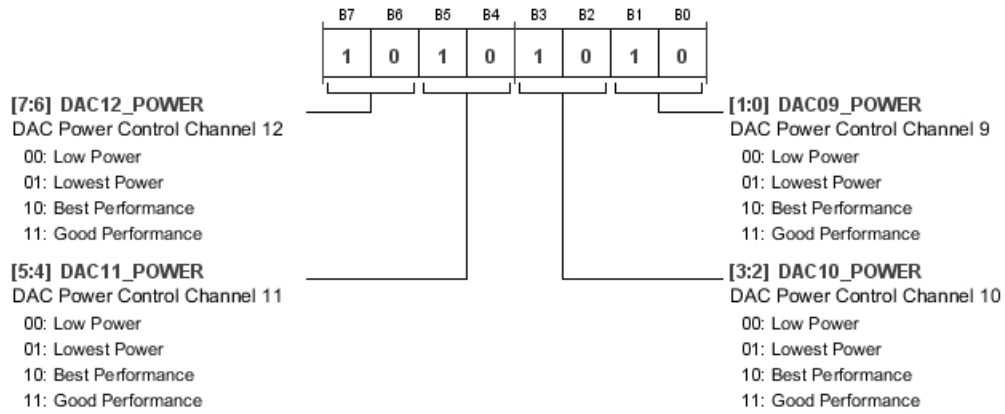


Table 52. Bit Descriptions for DAC\_POWER3

| Bits  | Bit Name    | Settings             | Description   | Reset | Access |
|-------|-------------|----------------------|---|-------|--------|
| [7:6] | DAC12_POWER | 00<br>01<br>10<br>11 | DAC Power Control Channel 12<br>Low Power<br>Lowest Power<br>Best Performance<br>Good Performance | 0x2   | RW     |
| [5:4] | DAC11_POWER | 00<br>01<br>10<br>11 | DAC Power Control Channel 11<br>Low Power<br>Lowest Power<br>Best Performance<br>Good Performance | 0x2   | RW     |
| [3:2] | DAC10_POWER | 00<br>01<br>10<br>11 | DAC Power Control Channel 10<br>Low Power<br>Lowest Power<br>Best Performance<br>Good Performance | 0x2   | RW     |
| [1:0] | DAC09_POWER | 00<br>01<br>10<br>11 | DAC Power Control Channel 9<br>Low Power<br>Lowest Power<br>Best Performance<br>Good Performance  | 0x2   | RW     |

Table 53. Volume Settings

| Binary Value | Hex Value | Volume Attenuation (dB) | Binary Value | Hex Value | Volume Attenuation (dB) |
|--------------|-----------|-------------------------|--------------|-----------|-------------------------|
| 00000000     | 00        | 0                       | 00110000     | 30        | -18                     |
| 00000001     | 01        | -0.375                  | 00110001     | 31        | -18.375                 |
| 00000010     | 02        | -0.75                   | 00110010     | 32        | -18.75                  |
| 00000011     | 03        | -1.125                  | 00110011     | 33        | -19.125                 |
| 00000100     | 04        | -1.5                    | 00110100     | 34        | -19.5                   |
| 00000101     | 05        | -1.875                  | 00110101     | 35        | -19.875                 |
| 00000110     | 06        | -2.25                   | 00110110     | 36        | -20.25                  |
| 00000111     | 07        | -2.625                  | 00110111     | 37        | -20.625                 |
| 00001000     | 08        | -3                      | 00111000     | 38        | -21                     |
| 00001001     | 09        | -3.375                  | 00111001     | 39        | -21.375                 |
| 00001010     | 0A        | -3.75                   | 00111010     | 3A        | -21.75                  |
| 00001011     | 0B        | -4.125                  | 00111011     | 3B        | -22.125                 |
| 00001100     | 0C        | -4.5                    | 00111100     | 3C        | -22.5                   |
| 00001101     | 0D        | -4.875                  | 00111101     | 3D        | -22.875                 |
| 00001110     | 0E        | -5.25                   | 00111110     | 3E        | -23.25                  |
| 00001111     | 0F        | -5.625                  | 00111111     | 3F        | -23.625                 |
| 00010000     | 10        | -6                      | 01000000     | 40        | -24                     |
| 00010001     | 11        | -6.375                  | 01000001     | 41        | -24.375                 |
| 00010010     | 12        | -6.75                   | 01000010     | 42        | -24.75                  |
| 00010011     | 13        | -7.125                  | 01000011     | 43        | -25.125                 |
| 00010100     | 14        | -7.5                    | 01000100     | 44        | -25.5                   |
| 00010101     | 15        | -7.875                  | 01000101     | 45        | -25.875                 |
| 00010110     | 16        | -8.25                   | 01000110     | 46        | -26.25                  |
| 00010111     | 17        | -8.625                  | 01000111     | 47        | -26.625                 |
| 00011000     | 18        | -9                      | 01001000     | 48        | -27                     |
| 00011001     | 19        | -9.375                  | 01001001     | 49        | -27.375                 |
| 00011010     | 1A        | -9.75                   | 01001010     | 4A        | -27.75                  |
| 00011011     | 1B        | -10.125                 | 01001011     | 4B        | -28.125                 |
| 00011100     | 1C        | -10.5                   | 01001100     | 4C        | -28.5                   |
| 00011101     | 1D        | -10.875                 | 01001101     | 4D        | -28.875                 |
| 00011110     | 1E        | -11.25                  | 01001110     | 4E        | -29.25                  |
| 00011111     | 1F        | -11.625                 | 01001111     | 4F        | -29.625                 |
| 00100000     | 20        | -12                     | 01010000     | 50        | -30                     |
| 00100001     | 21        | -12.375                 | 01010001     | 51        | -30.375                 |
| 00100010     | 22        | -12.75                  | 01010010     | 52        | -30.75                  |
| 00100011     | 23        | -13.125                 | 01010011     | 53        | -31.125                 |
| 00100100     | 24        | -13.5                   | 01010100     | 54        | -31.5                   |
| 00100101     | 25        | -13.875                 | 01010101     | 55        | -31.875                 |
| 00100110     | 26        | -14.25                  | 01010110     | 56        | -32.25                  |
| 00100111     | 27        | -14.625                 | 01010111     | 57        | -32.625                 |
| 00101000     | 28        | -15                     | 01011000     | 58        | -33                     |
| 00101001     | 29        | -15.375                 | 01011001     | 59        | -33.375                 |
| 00101010     | 2A        | -15.75                  | 01011010     | 5A        | -33.75                  |
| 00101011     | 2B        | -16.125                 | 01011011     | 5B        | -34.125                 |
| 00101100     | 2C        | -16.5                   | 01011100     | 5C        | -34.5                   |
| 00101101     | 2D        | -16.875                 | 01011101     | 5D        | -34.875                 |
| 00101110     | 2E        | -17.25                  | 01011110     | 5E        | -35.25                  |
| 00101111     | 2F        | -17.625                 | 01011111     | 5F        | -35.625                 |

| Binary Value | Hex Value | Volume Attenuation (dB) |
|--------------|-----------|-------------------------|
| 01100000     | 60        | -36                     |
| 01100001     | 61        | -36.375                 |
| 01100010     | 62        | -36.75                  |
| 01100011     | 63        | -37.125                 |
| 01100100     | 64        | -37.5                   |
| 01100101     | 65        | -37.875                 |
| 01100110     | 66        | -38.25                  |
| 01100111     | 67        | -38.625                 |
| 01101000     | 68        | -39                     |
| 01101001     | 69        | -39.375                 |
| 01101010     | 6A        | -39.75                  |
| 01101011     | 6B        | -40.125                 |
| 01101100     | 6C        | -40.5                   |
| 01101101     | 6D        | -40.875                 |
| 01101110     | 6E        | -41.25                  |
| 01101111     | 6F        | -41.625                 |
| 01110000     | 70        | -42                     |
| 01110001     | 71        | -42.375                 |
| 01110010     | 72        | -42.75                  |
| 01110011     | 73        | -43.125                 |
| 01110100     | 74        | -43.5                   |
| 01110101     | 75        | -43.875                 |
| 01110110     | 76        | -44.25                  |
| 01110111     | 77        | -44.625                 |
| 01111000     | 78        | -45                     |
| 01111001     | 79        | -45.375                 |
| 01111010     | 7A        | -45.75                  |
| 01111011     | 7B        | -46.125                 |
| 01111100     | 7C        | -46.5                   |
| 01111101     | 7D        | -46.875                 |
| 01111110     | 7E        | -47.25                  |
| 01111111     | 7F        | -47.625                 |
| 10000000     | 80        | -48                     |
| 10000001     | 81        | -48.375                 |
| 10000010     | 82        | -48.75                  |
| 10000011     | 83        | -49.125                 |
| 10000100     | 84        | -49.5                   |
| 10000101     | 85        | -49.875                 |
| 10000110     | 86        | -50.25                  |
| 10000111     | 87        | -50.625                 |
| 10001000     | 88        | -51                     |
| 10001001     | 89        | -51.375                 |
| 10001010     | 8A        | -51.75                  |
| 10001011     | 8B        | -52.125                 |
| 10001100     | 8C        | -52.5                   |
| 10001101     | 8D        | -52.875                 |
| 10001110     | 8E        | -53.25                  |
| 10001111     | 8F        | -53.625                 |

| Binary Value | Hex Value | Volume Attenuation (dB) |
|--------------|-----------|-------------------------|
| 10010000     | 90        | -54                     |
| 10010001     | 91        | -54.375                 |
| 10010010     | 92        | -54.75                  |
| 10010011     | 93        | -55.125                 |
| 10010100     | 94        | -55.5                   |
| 10010101     | 95        | -55.875                 |
| 10010110     | 96        | -56.25                  |
| 10010111     | 97        | -56.625                 |
| 10011000     | 98        | -57                     |
| 10011001     | 99        | -57.375                 |
| 10011010     | 9A        | -57.75                  |
| 10011011     | 9B        | -58.125                 |
| 10011100     | 9C        | -58.5                   |
| 10011101     | 9D        | -58.875                 |
| 10011110     | 9E        | -59.25                  |
| 10011111     | 9F        | -59.625                 |
| 10100000     | A0        | -60                     |
| 10100001     | A1        | -60.375                 |
| 10100010     | A2        | -60.75                  |
| 10100011     | A3        | -61.125                 |
| 10100100     | A4        | -61.5                   |
| 10100101     | A5        | -61.875                 |
| 10100110     | A6        | -62.25                  |
| 10100111     | A7        | -62.625                 |
| 10101000     | A8        | -63                     |
| 10101001     | A9        | -63.375                 |
| 10101010     | AA        | -63.75                  |
| 10101011     | AB        | -64.125                 |
| 10101100     | AC        | -64.5                   |
| 10101101     | AD        | -64.875                 |
| 10101110     | AE        | -65.25                  |
| 10101111     | AF        | -65.625                 |
| 10110000     | B0        | -66                     |
| 10110001     | B1        | -66.375                 |
| 10110010     | B2        | -66.75                  |
| 10110011     | B3        | -67.125                 |
| 10110100     | B4        | -67.5                   |
| 10110101     | B5        | -67.875                 |
| 10110110     | B6        | -68.25                  |
| 10110111     | B7        | -68.625                 |
| 10111000     | B8        | -69                     |
| 10111001     | B9        | -69.375                 |
| 10111010     | BA        | -69.75                  |
| 10111011     | BB        | -70.125                 |
| 10111100     | BC        | -70.5                   |
| 10111101     | BD        | -70.875                 |
| 10111110     | BE        | -71.25                  |
| 10111111     | BF        | -71.625                 |

| Binary Value | Hex Value | Volume Attenuation (dB) |
|--------------|-----------|-------------------------|
| 11000000     | C0        | -72                     |
| 11000001     | C1        | -72.375                 |
| 11000010     | C2        | -72.75                  |
| 11000011     | C3        | -73.125                 |
| 11000100     | C4        | -73.5                   |
| 11000101     | C5        | -73.875                 |
| 11000110     | C6        | -74.25                  |
| 11000111     | C7        | -74.625                 |
| 11001000     | C8        | -75                     |
| 11001001     | C9        | -75.375                 |
| 11001010     | CA        | -75.75                  |
| 11001011     | CB        | -76.125                 |
| 11001100     | CC        | -76.5                   |
| 11001101     | CD        | -76.875                 |
| 11001110     | CE        | -77.25                  |
| 11001111     | CF        | -77.625                 |
| 11010000     | D0        | -78                     |
| 11010001     | D1        | -78.375                 |
| 11010010     | D2        | -78.75                  |
| 11010011     | D3        | -79.125                 |
| 11010100     | D4        | -79.5                   |
| 11010101     | D5        | -79.875                 |
| 11010110     | D6        | -80.25                  |
| 11010111     | D7        | -80.625                 |
| 11011000     | D8        | -81                     |
| 11011001     | D9        | -81.375                 |
| 11011010     | DA        | -81.75                  |
| 11011011     | DB        | -82.125                 |
| 11011100     | DC        | -82.5                   |
| 11011101     | DD        | -82.875                 |
| 11011110     | DE        | -83.25                  |
| 11011111     | DF        | -83.625                 |

| Binary Value | Hex Value | Volume Attenuation (dB) |
|--------------|-----------|-------------------------|
| 11100000     | E0        | -84                     |
| 11100001     | E1        | -84.375                 |
| 11100010     | E2        | -84.75                  |
| 11100011     | E3        | -85.125                 |
| 11100100     | E4        | -85.5                   |
| 11100101     | E5        | -85.875                 |
| 11100110     | E6        | -86.25                  |
| 11100111     | E7        | -86.625                 |
| 11101000     | E8        | -87                     |
| 11101001     | E9        | -87.375                 |
| 11101010     | EA        | -87.75                  |
| 11101011     | EB        | -88.125                 |
| 11101100     | EC        | -88.5                   |
| 11101101     | ED        | -88.875                 |
| 11101110     | EE        | -89.25                  |
| 11101111     | EF        | -89.625                 |
| 11110000     | F0        | -90                     |
| 11110001     | F1        | -90.375                 |
| 11110010     | F2        | -90.75                  |
| 11110011     | F3        | -91.125                 |
| 11110100     | F4        | -91.5                   |
| 11110101     | F5        | -91.875                 |
| 11110110     | F6        | -92.25                  |
| 11110111     | F7        | -92.625                 |
| 11111000     | F8        | -93                     |
| 11111001     | F9        | -93.375                 |
| 11111010     | FA        | -93.75                  |
| 11111011     | FB        | -94.125                 |
| 11111100     | FC        | -94.5                   |
| 11111101     | FD        | -94.875                 |
| 11111110     | FE        | -95.25                  |
| 11111111     | FF        | -95.625                 |