

### FEATURES

- 5 kV rms/3.75 kV rms LVDS isolator
- Complies with TIA/EIA-644-A LVDS standard
- Multiple dual-channel configurations
- Up to 600 Mbps switching with low jitter
  - 4.5 ns maximum propagation delay
  - 151 ps maximum peak-to-peak total jitter at 600 Mbps
  - 100 ps maximum pulse skew
  - 600 ps maximum part to part skew
- 2.5 V or 3.3 V supplies
- 75 dBc power supply ripple rejection and glitch immunity
- ±8 kV IEC 61000-4-2 ESD protection across isolation barrier
- High common-mode transient immunity: >25 kV/μs
- Passes EN55022 Class B radiated emissions limits with 600 Mbps PRBS
- Safety and regulatory approvals (20-lead SOIC package)**
  - UL: 5000 V rms for 1 minute per UL 1577
  - CSA Component Acceptance Notice 5A
  - VDE certificate of conformity
    - DIN V VDE V 0884-10 (VDE V 0884-10):2006-12
    - VIORM = 424 V peak
- Fail-safe output high for open, short, and terminated input conditions (ADN4651/ADN4652)
- Operating temperature range: -40°C to +125°C
- Choice of package and isolation options
  - 3.75 kV rms in highly integrated 20-lead SSOP
  - 5 kV rms in 20-lead SOIC with 7.8 mm creepage/clearance

### APPLICATIONS

- Analog front-end (AFE) isolation
- Data plane isolation
- Isolated high speed clock and data links
- Isolated serial peripheral interface (SPI) over LVDS

### GENERAL DESCRIPTION

The ADN4650/ADN4651/ADN4652<sup>1</sup> are signal isolated, low voltage differential signaling (LVDS) buffers that operate at up to 600 Mbps with very low jitter.

The devices integrate Analog Devices, Inc., iCoupler® technology, enhanced for high speed operation, to provide galvanic isolation of the TIA/EIA-644-A compliant LVDS drivers and receivers. This technology allows drop-in isolation of an LVDS signal chain.

Multiple channel configurations are offered, and the LVDS receivers on the ADN4651/ADN4652 include a fail-safe mechanism to

<sup>1</sup> Protected by U.S. Patents 5,952,849; 6,873,065; 6,903,578; and 7,075,329. Other patents are pending.

**Rev. E** **Document Feedback**  
 Information furnished by Analog Devices is believed to be accurate and reliable. However, no responsibility is assumed by Analog Devices for its use, nor for any infringements of patents or other rights of third parties that may result from its use. Specifications subject to change without notice. No license is granted by implication or otherwise under any patent or patent rights of Analog Devices. Trademarks and registered trademarks are the property of their respective owners.

### FUNCTIONAL BLOCK DIAGRAMS

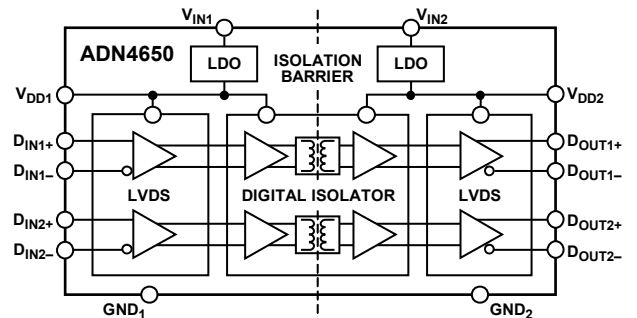


Figure 1.

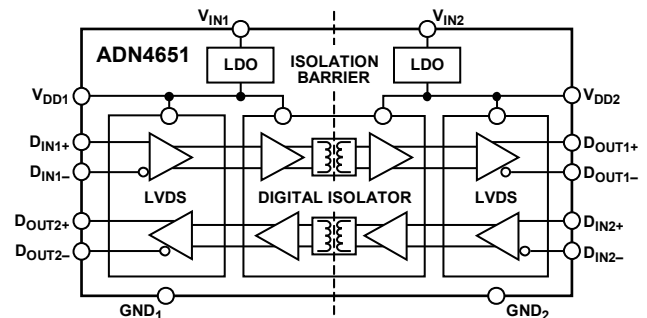


Figure 2.

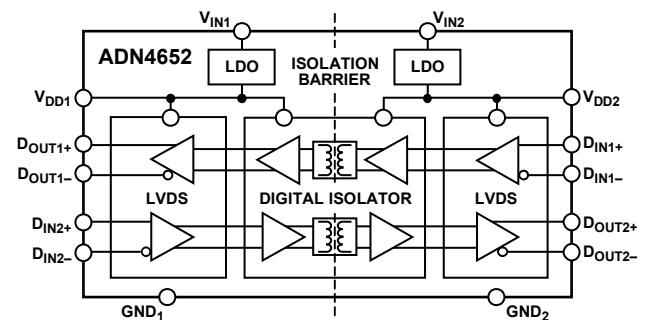


Figure 3.

ensure a Logic 1 on the corresponding LVDS driver output when the inputs are floating, shorted, or terminated, but not driven.

For high speed operation with low jitter, the LVDS and isolator circuits rely on a 2.5 V supply. An integrated on-chip low dropout regulator (LDO) can provide the required 2.5 V from an external 3.3 V power supply. The devices are fully specified over a wide industrial temperature range and are available in a 20-lead, wide body SOIC package with 5 kV rms isolation or a 20-lead SSOP package with 3.75 kV rms isolation.

## TABLE OF CONTENTS

|   |   |  |    |
|---|---|--|----|
| Features .....  | 1 | Thermal Resistance .....                           | 8  |
| Applications .....  | 1 | ESD Caution .....                                  | 8  |
| General Description .....   | 1 | Pin Configurations and Function Descriptions ..... | 9  |
| Functional Block Diagrams .....   | 1 | Typical Performance Characteristics .....          | 12 |
| Revision History .....  | 2 | Test Circuits and Switching Characteristics .....  | 17 |
| Specifications .....  | 3 | Theory of Operation .....                          | 18 |
| Receiver Input Threshold Test Voltages .....                            | 4 | Truth Table and Fail-Safe Receiver .....           | 18 |
| Timing Specifications .....   | 4 | Isolation .....                                    | 19 |
| Insulation and Safety Related Specifications .....                      | 5 | PCB Layout .....                                   | 19 |
| Package Characteristics .....   | 6 | Magnetic Field Immunity .....                      | 19 |
| Regulatory Information .....  | 6 | Insulation Lifetime .....                          | 20 |
| DIN V VDE V 0884-10 (VDE V 0884-10) Insulation<br>Characteristics ..... | 6 | Applications Information .....                     | 22 |
| Recommended Operating Conditions .....                                  | 7 | Outline Dimensions .....                           | 24 |
| Absolute Maximum Ratings .....  | 8 | Ordering Guide .....                               | 24 |

## REVISION HISTORY

### 6/2019—Rev. D to Rev. E

|   |   |
|---|---|
| Changes to Features Section .....   | 1 |
| Changed UL (Pending) Column to UL Column, CSA (Pending)<br>Column to CSA Column, VDE (Pending) Column to VDE<br>Column, Table 7, and DIN V VDE V 0884-10 (VDE V 0884-110)<br>Insulation Characteristics (Pending) Section to DIN V VDE V<br>0884-10 (VDE V 0884-110) Insulation Characteristics Section ..... | 6 |

### 1/2017—Rev. C to Rev. D

|                                 |    |
|---------------------------------|----|
| Changes to Ordering Guide ..... | 24 |
|---------------------------------|----|

### 9/2016—Rev. B to Rev. C

|   |            |
|---|------------|
| Added 20-Lead SSOP .....  | Throughout |
| Changes to Title, Features Section, and General Description ..... | 1          |
| Added Table 5; Renumbered Sequentially .....                      | 5          |
| Change to Figure 5 .....  | 7          |
| Changes to PCB Layout Section .....                               | 19         |
| Changes to Surface Tracking Section .....                         | 20         |
| Updated Outline Dimensions .....                                  | 24         |
| Changes to Ordering Guide .....                                   | 24         |

### 4/2016—Rev. A to Rev. B

|   |           |
|---|-----------|
| Added ADN4652 .....   | Universal |
| Changes to Features Section and General Description Section ..... | 1         |
| Added Figure 3; Renumbered Sequentially .....                     | 1         |
| Changes to Supply Current Parameter, Table 1 .....                | 3         |

### Changes to Skew Parameter and Fail-Safe Delay Parameter,

|  |    |
|--|----|
| Table 3 .....  | 4  |
| Changes to Table 12 .....                                  | 9  |
| Moved Figure 7 .....                                       | 10 |
| Added Table 13 .....                                       | 10 |
| Added Figure 8 and Table 14, Renumbered Sequentially ..... | 11 |
| Changes to PCB Layout Section .....                        | 19 |
| Changes to Ordering Guide .....                            | 24 |

### 2/2016—Rev. 0 to Rev. A

|   |           |
|---|-----------|
| Added ADN4650 .....   | Universal |
| Changes to Features Section and General Description Section .....         | 1         |
| Added Figure 1; Renumbered Sequentially .....                             | 1         |
| Changes to Supply Current Parameter, Table 1 .....                        | 3         |
| Changes to Skew Parameter and Fail-Safe Delay Parameter,<br>Table 3 ..... | 4         |
| Added Figure 5 .....  | 9         |
| Changes to Table 12 .....   | 9         |
| Changes to Figure 30 Caption and Figure 31 Caption .....                  | 14        |
| Change to Figure 34 .....   | 15        |
| Changes to Truth Table and Fail-Safe Receiver Section .....               | 16        |
| Added Table 13; Renumbered Sequentially .....                             | 16        |
| Change to Applications Information Section .....                          | 20        |
| Added Figure 41 .....   | 20        |
| Changes to Ordering Guide .....   | 22        |

### 11/2015—Revision 0: Initial Version

## SPECIFICATIONS

For all minimum/maximum specifications,  $V_{DD1} = V_{DD2} = 2.375 \text{ V}$  to  $2.625 \text{ V}$ ,  $T_A = T_{MIN}$  to  $T_{MAX}$ , unless otherwise noted. For all typical specifications,  $V_{DD1} = V_{DD2} = 2.5 \text{ V}$ ,  $T_A = 25^\circ\text{C}$ .

Table 1.

| Parameter                                       | Symbol                                    | Min           | Typ  | Max                 | Unit              | Test Conditions/Comments  |
|---|---|---------------|------|---------------------|-------------------|---|
| <b>INPUTS (RECEIVERS)</b>                       |   |               |      |                     |                   |   |
| Input Threshold                                 |   |               |      |                     |                   | See Figure 36 and Table 2   |
| High  | $V_{TH}$                                  |               |      | 100                 | mV                |   |
| Low   | $V_{TL}$                                  | -100          |      |                     | mV                |   |
| Differential Input Voltage                      | $ V_{ID} $                                | 100           |      |                     | mV                | See Figure 36 and Table 2   |
| Input Common-Mode Voltage                       | $V_{IC}$                                  | $0.5 V_{ID} $ |      | $2.4 - 0.5 V_{ID} $ | V                 | See Figure 36 and Table 2   |
| Input Current                                   | $I_{IH}, I_{IL}$                          | -5            |      | +5                  | $\mu\text{A}$     | $D_{INx\pm} = V_{DD}$ or $0 \text{ V}$ , other input = $1.2 \text{ V}$ , $V_{DD} = 2.5 \text{ V}$ or $0 \text{ V}$  |
| Differential Input Capacitance <sup>1</sup>     | $C_{INx\pm}$                              |               | 2    |                     | pF                | $D_{INx\pm} = 0.4 \sin(30 \times 10^6 \pi t) \text{ V} + 0.5 \text{ V}$ , other input = $1.2 \text{ V}$   |
| <b>OUTPUTS (DRIVERS)</b>                        |   |               |      |                     |                   |   |
| Differential Output Voltage                     | $ V_{OD} $                                | 250           | 310  | 450                 | mV                | See Figure 34 and Figure 35, $R_L = 100 \Omega$   |
| $V_{OD}$ Magnitude Change                       | $ \Delta V_{OD} $                         |               |      | 50                  | mV                | See Figure 34 and Figure 35, $R_L = 100 \Omega$   |
| Offset Voltage                                  | $V_{OS}$                                  | 1.125         | 1.17 | 1.375               | V                 | See Figure 34, $R_L = 100 \Omega$   |
| $V_{OS}$ Magnitude Change                       | $\Delta V_{OS}$                           |               |      | 50                  | mV                | See Figure 34, $R_L = 100 \Omega$   |
| $V_{OS}$ Peak-to-Peak <sup>1</sup>              | $V_{OS(PP)}$                              |               |      | 150                 | mV                | See Figure 34, $R_L = 100 \Omega$   |
| Output Short-Circuit Current                    | $I_{OS}$                                  |               |      | -20                 | mA                | $D_{OUTx\pm} = 0 \text{ V}$   |
|   |   |               |      | 12                  | mA                | $ V_{OD}  = 0 \text{ V}$  |
| Differential Output Capacitance <sup>1</sup>    | $C_{OUTx\pm}$                             |               | 5    |                     | pF                | $D_{OUTx\pm} = 0.4 \sin(30 \times 10^6 \pi t) \text{ V} + 0.5 \text{ V}$ , other input = $1.2 \text{ V}$ , $V_{DD1}$ or $V_{DD2} = 0 \text{ V}$   |
| <b>POWER SUPPLY</b>                             |   |               |      |                     |                   |   |
| Supply Current                                  | $I_{DD1}, I_{IN1}, I_{DD2},$ or $I_{IN2}$ |               |      |                     |                   |   |
| ADN4651/ADN4652 Only                            |   |               |      | 55                  | mA                | No output load, inputs with $100 \Omega$ , no applied $ V_{ID} $  |
| ADN4650 Only                                    |   |               | 58   | 80                  | mA                | All outputs loaded, $R_L = 100 \Omega$ , $f = 300 \text{ MHz}$  |
|   |   |               | 50   | 65                  | mA                | No output load, inputs with $100 \Omega$ , $ V_{ID}  = 200 \text{ mV}$  |
|   |   |               | 60   | 72                  | mA                | All outputs loaded, $R_L = 100 \Omega$ , $f = 300 \text{ MHz}$  |
| LDO Input Range                                 | $V_{IN1}$ or $V_{IN2}$                    | 3.0           | 3.3  | 3.6                 | V                 | No external supply on $V_{DD1}$ or $V_{DD2}$  |
| LDO Output Range                                | $V_{DD1}$ or $V_{DD2}$                    | 2.375         | 2.5  | 2.625               | V                 |   |
| Power Supply Ripple Rejection, Phase Spur Level | PSRR                                      |               | -75  |                     | dBc               | Phase spur level on $D_{OUTx\pm}$ with $300 \text{ MHz}$ clock on $D_{INx\pm}$ and applied ripple of $100 \text{ kHz}$ , $100 \text{ mV p-p}$ on a $2.5 \text{ V}$ supply to $V_{DD1}$ or $V_{DD2}$ |
| COMMON-MODE TRANSIENT IMMUNITY <sup>2</sup>     | $ CM $                                    | 25            | 50   |                     | kV/ $\mu\text{s}$ | $V_{CM} = 1000 \text{ V}$ , transient magnitude = $800 \text{ V}$   |

<sup>1</sup> These specifications are guaranteed by design and characterization.

<sup>2</sup>  $|CM|$  is the maximum common-mode voltage slew rate that can be sustained while maintaining any  $D_{OUTx+}/D_{OUTx-}$  pin in the same state as the corresponding  $D_{INx+}/D_{INx-}$  pin (no change on output), or producing the expected transition on any  $D_{OUTx+}/D_{OUTx-}$  pin if the applied common-mode transient edge is coincident with a data transition on the corresponding  $D_{INx+}/D_{INx-}$  pin. The common-mode voltage slew rates apply to both rising and falling common-mode voltage edges.

## RECEIVER INPUT THRESHOLD TEST VOLTAGES

Table 2. Test Voltages for Receiver Operation

| Applied Voltages      |                       | Input Voltage, Differential (V <sub>ID</sub> ) (V) | Input Voltage, Common-Mode (V <sub>IC</sub> ) (V) | Driver Output (V <sub>OD</sub> ) (mV) |
|-----------------------|-----------------------|--|---|---------------------------------------|
| D <sub>INx+</sub> (V) | D <sub>INx-</sub> (V) |  |   |                                       |
| 1.25                  | 1.15                  | 0.1  | 1.2   | >250                                  |
| 1.15                  | 1.25                  | -0.1   | +1.2  | <-250                                 |
| 2.4                   | 2.3                   | 0.1  | 2.35  | >250                                  |
| 2.3                   | 2.4                   | -0.1   | +2.35   | <-250                                 |
| 0.1                   | 0                     | 0.1  | 0.05  | >250                                  |
| 0                     | 0.1                   | -0.1   | +0.05   | <-250                                 |
| 1.5                   | 0.9                   | 0.6  | 1.2   | >250                                  |
| 0.9                   | 1.5                   | -0.6   | +1.2  | <-250                                 |
| 2.4                   | 1.8                   | 0.6  | 2.1   | >250                                  |
| 1.8                   | 2.4                   | -0.6   | +2.1  | <-250                                 |
| 0.6                   | 0                     | 0.6  | 0.3   | >250                                  |
| 0                     | 0.6                   | -0.6   | +0.3  | <-250                                 |

## TIMING SPECIFICATIONS

For all minimum/maximum specifications, V<sub>DD1</sub> = V<sub>DD2</sub> = 2.375 V to 2.625 V, T<sub>A</sub> = T<sub>MIN</sub> to T<sub>MAX</sub>, unless otherwise noted. All typical specifications, V<sub>DD1</sub> = V<sub>DD2</sub> = 2.5 V, T<sub>A</sub> = 25°C.

Table 3.

| Parameter                                 | Symbol                              | Min | Typ | Max <sup>1</sup> | Unit   | Test Conditions/Comments  |
|---|-------------------------------------|-----|-----|------------------|--------|---|
| PROPAGATION DELAY                         | t <sub>PLH</sub> , t <sub>PHL</sub> |     | 4   | 4.5              | ns     | See Figure 37, from any D <sub>INx+</sub> /D <sub>INx-</sub> to D <sub>OUTx+</sub> /D <sub>OUTx-</sub>                |
| SKEW                                      |                                     |     |     |                  |        | See Figure 37, across all D <sub>OUTx+</sub> /D <sub>OUTx-</sub>  |
| Duty Cycle <sup>2</sup>                   | t <sub>SK(D)</sub>                  |     |     | 100              | ps     |   |
| Channel to Channel <sup>3</sup>           | t <sub>SK(CH)</sub>                 |     | 200 | 500              | ps     |   |
|   |                                     |     | 150 | 300              | ps     | ADN4650 only  |
| Part to Part <sup>4</sup>                 | t <sub>SK(PP)</sub>                 |     |     | 600              | ps     | ADN4650, ADN4651, ADN4652, or combinations  |
|   |                                     |     |     | 500              | ps     | ADN4650 to ADN4650 only   |
| JITTER <sup>5</sup>                       |                                     |     |     |                  |        | See Figure 37, for any D <sub>OUTx+</sub> /D <sub>OUTx-</sub>   |
| Random Jitter, RMS <sup>6</sup> (1σ)      | t <sub>RJ(RMS)</sub>                |     | 2.6 | 4.8              | ps rms | 300 MHz clock input   |
| Deterministic Jitter <sup>7,8</sup>       | t <sub>DJ(PP)</sub>                 |     | 30  | 96               | ps     | 600 Mbps, 2 <sup>23</sup> – 1 PRBS  |
| With Crosstalk                            | t <sub>DJC(PP)</sub>                |     | 30  |                  | ps     | 600 Mbps, 2 <sup>23</sup> – 1 PRBS  |
| Total Jitter at BER 1 × 10 <sup>-12</sup> | t <sub>TJ(PP)</sub>                 |     | 70  | 151              | ps     | 300 MHz/600 Mbps, 2 <sup>23</sup> – 1 PRBS <sup>9</sup>   |
| Additive Phase Jitter                     | t <sub>ADDJ</sub>                   |     | 387 |                  | fs rms | 100 Hz to 100 kHz, f <sub>OUT</sub> = 10 MHz <sup>10</sup>  |
|   |                                     |     | 376 |                  | fs rms | 12 kHz to 20 MHz, f <sub>OUT</sub> = 300 MHz <sup>11</sup>  |
| RISE/FALL TIME                            | t <sub>R</sub> , t <sub>F</sub>     |     |     | 350              | ps     | See Figure 37, any D <sub>OUTx+</sub> /D <sub>OUTx-</sub> , 20% to 80%, R <sub>L</sub> = 100 Ω, C <sub>L</sub> = 5 pF |
| FAIL-SAFE DELAY <sup>12</sup>             | t <sub>FSH</sub> , t <sub>FSL</sub> |     | 1   | 1.2              | μs     | ADN4651/ADN4652 only; see Figure 37 and Figure 4, any D <sub>OUTx+</sub> /D <sub>OUTx-</sub> , R <sub>L</sub> = 100 Ω |
| MAXIMUM DATA RATE                         |                                     | 600 |     |                  | Mbps   |   |

<sup>1</sup> These specifications are guaranteed by design and characterization.

<sup>2</sup> Duty cycle or pulse skew is the magnitude of the maximum difference between t<sub>PLH</sub> and t<sub>PHL</sub> for any channel of a device, that is, |t<sub>PLH</sub> – t<sub>PHL</sub>|.

<sup>3</sup> Channel to channel or output skew is the difference between the largest and smallest values of t<sub>PLHx</sub> within a device or the difference between the largest and smallest values of t<sub>PHLx</sub> within a device, whichever of the two is greater.

<sup>4</sup> Part to part output skew is the difference between the largest and smallest values of t<sub>PLHx</sub> across multiple devices or the difference between the largest and smallest values of t<sub>PHLx</sub> across multiple devices, whichever of the two is greater.

<sup>5</sup> Jitter parameters are guaranteed by design and characterization. Values do not include stimulus jitter. V<sub>ID</sub> = 400 mV p-p, t<sub>R</sub> = t<sub>F</sub> = 0.3 ns (20% to 80%).

<sup>6</sup> This specification is measured over a population of ~7,000,000 edges.

<sup>7</sup> Peak-to-peak jitter specifications include jitter due to pulse skew (t<sub>SK(D)</sub>).

<sup>8</sup> This specification is measured over a population of ~3,000,000 edges.

<sup>9</sup> Using the formula t<sub>TJ(PP)</sub> = 14 × t<sub>RJ(RMS)</sub> + t<sub>DJ(PP)</sub>.

<sup>10</sup> With input phase jitter of 250 fs rms subtracted.

<sup>11</sup> With input phase jitter of 100 fs rms subtracted.

<sup>12</sup> The fail-safe delay is the delay before D<sub>OUTx±</sub> is switched high to reflect idle input to D<sub>INx±</sub> (|V<sub>ID</sub>| < 100 mV, open or short/terminated input condition).

Timing Diagram

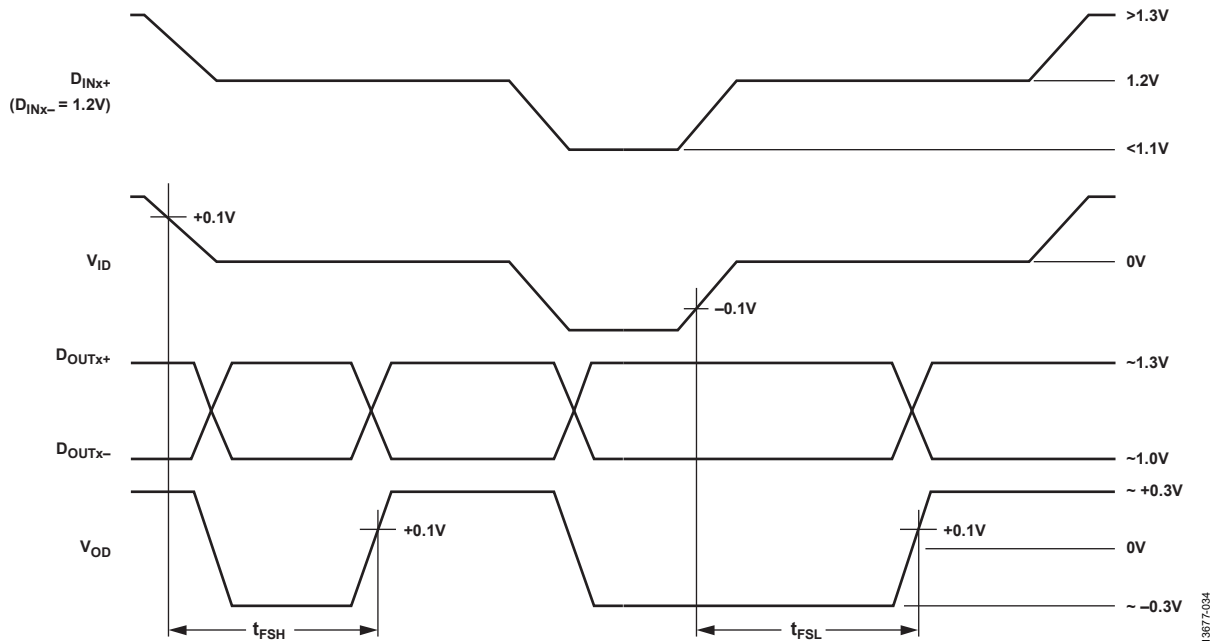


Figure 4. Fail-Safe Timing Diagram

13877-034

INSULATION AND SAFETY RELATED SPECIFICATIONS

For additional information, see [www.analog.com/icouplersafety](http://www.analog.com/icouplersafety).

Table 4. 20-Lead SOIC Package

| Parameter   | Symbol  | Value | Unit              | Test Conditions/Comments   |
|---|---------|-------|-------------------|--|
| Rated Dielectric Insulation Voltage   |         | 5000  | V rms             | 1-minute duration  |
| Minimum External Air Gap (Clearance)  | L (I01) | 7.8   | mm min            | Measured from input terminals to output terminals, shortest distance through air   |
| Minimum External Tracking (Creepage)  | L (I02) | 7.8   | mm min            | Measured from input terminals to output terminals, shortest distance path along body                                       |
| Minimum Clearance in the Plane of the Printed Circuit Board (PCB Clearance) | L (PCB) | 8.1   | mm min            | Measured from input terminals to output terminals, shortest distance through air, line of sight, in the PCB mounting plane |
| Minimum Internal Gap (Internal Clearance)                                   |         | 17    | $\mu\text{m min}$ | Insulation distance through insulation   |
| Tracking Resistance (Comparative Tracking Index)                            | CTI     | >400  | V                 | DIN IEC 112/VDE 0303 Part 1  |
| Material Group  |         | II    |                   | Material Group (DIN VDE 0110, 1/89, Table 1)   |

Table 5. 20-Lead SSOP Package

| Parameter   | Symbol  | Value | Unit              | Test Conditions/Comments   |
|---|---------|-------|-------------------|--|
| Rated Dielectric Insulation Voltage   |         | 3750  | V rms             | 1-minute duration  |
| Minimum External Air Gap (Clearance)  | L (I01) | 5.3   | mm min            | Measured from input terminals to output terminals, shortest distance through air   |
| Minimum External Tracking (Creepage)  | L (I02) | 5.3   | mm min            | Measured from input terminals to output terminals, shortest distance path along body                                       |
| Minimum Clearance in the Plane of the Printed Circuit Board (PCB Clearance) | L (PCB) | 5.6   | mm min            | Measured from input terminals to output terminals, shortest distance through air, line of sight, in the PCB mounting plane |
| Minimum Internal Gap (Internal Clearance)                                   |         | 22    | $\mu\text{m min}$ | Insulation distance through insulation   |
| Tracking Resistance (Comparative Tracking Index)                            | CTI     | >400  | V                 | DIN IEC 112/VDE 0303 Part 1  |
| Material Group  |         | II    |                   | Material Group (DIN VDE 0110, 1/89, Table 1)   |

## PACKAGE CHARACTERISTICS

Table 6.

| Parameter                                  | Symbol           | Min | Typ              | Max | Unit | Test Conditions/Comments                           |
|--|------------------|-----|------------------|-----|------|--|
| Resistance (Input to Output) <sup>1</sup>  | R <sub>I-O</sub> |     | 10 <sup>13</sup> |     | Ω    |  |
| Capacitance (Input to Output) <sup>1</sup> | C <sub>I-O</sub> |     | 2.2              |     | pF   | f = 1 MHz  |
| Input Capacitance <sup>2</sup>             | C <sub>I</sub>   |     | 3.7              |     | pF   |  |
| IC Junction to Ambient Thermal Resistance  | θ <sub>JA</sub>  |     |                  |     |      | Thermal simulation with 4-layer standard JEDEC PCB |
| 20-Lead SOIC                               |                  |     | 45.7             |     | °C/W |  |
| 20-Lead SSOP                               |                  |     | 69.6             |     | °C/W |  |

<sup>1</sup> The device is considered a 2-terminal device: Pin 1 through Pin 10 are shorted together, and Pin 11 through Pin 20 are shorted together.

<sup>2</sup> Input capacitance is from any input data pin to ground.

## REGULATORY INFORMATION

See Table 12 and the Insulation Lifetime section for details regarding recommended maximum working voltages for specific cross-isolation waveforms and insulation levels.

Table 7.

| UL   | CSA   | VDE   |
|--|---|---|
| To Be Recognized Under UL 1577 Component Recognition Program <sup>1</sup>                    | To be approved under CSA Component Acceptance Notice 5A | To be certified according to DIN V VDE V 0884-10 (VDE V 0884-10):2006-12 <sup>2</sup>                         |
| Single Protection, Isolation Voltage<br>20-lead SOIC, 5000 V rms<br>20-lead SSOP, 3750 V rms |   | Reinforced insulation, V <sub>IORM</sub> = 424 V peak, V <sub>IOSM</sub> = 6000 V peak                        |
| File E214100   | File 205078   | Basic insulation, V <sub>IORM</sub> = 424 V peak, V <sub>IOSM</sub> = 10,000 V peak<br>File 2471900-4880-0001 |

<sup>1</sup> In accordance with UL 1577, each ADN4650/ADN4651/ADN4652 is proof tested by applying an insulation test voltage ≥6000 V rms (20-lead SOIC) or ≥4500 V rms (20-lead SSOP) for 1 sec.

<sup>2</sup> In accordance with DIN V VDE V 0884-10, each ADN4650/ADN4651/ADN4652 is proof tested by applying an insulation test voltage ≥795 V peak for 1 sec (partial discharge detection limit = 5 pC).

## DIN V VDE V 0884-10 (VDE V 0884-10) INSULATION CHARACTERISTICS

This isolator is suitable for reinforced electrical isolation only within the safety limit data. Protective circuits ensure the maintenance of the safety data.

Table 8.

| Description   | Test Conditions/Comments  | Symbol             | Characteristic                 | Unit   |
|---|---|--------------------|--------------------------------|--------|
| Installation Classification per DIN VDE 0110<br>For Rated Mains Voltage ≤ 150 V rms<br>For Rated Mains Voltage ≤ 300 V rms<br>For Rated Mains Voltage ≤ 600 V rms |   |                    | I to IV<br>I to IV<br>I to III |        |
| Climatic Classification   |   |                    | 40/125/21                      |        |
| Pollution Degree per DIN VDE 0110, Table 1  |   |                    | 2                              |        |
| Maximum Working Insulation Voltage  |   | V <sub>IORM</sub>  | 424                            | V peak |
| Input to Output Test Voltage, Method B1   | V <sub>IORM</sub> × 1.875 = V <sub>pd(m)</sub> , 100% production test,<br>t <sub>ini</sub> = t <sub>m</sub> = 1 sec, partial discharge < 5 pC | V <sub>pd(m)</sub> | 795                            | V peak |
| Input to Output Test Voltage, Method A<br>After Environmental Tests Subgroup 1  | V <sub>IORM</sub> × 1.5 = V <sub>pd(m)</sub> , t <sub>ini</sub> = 60 sec, t <sub>m</sub> = 10 sec,<br>partial discharge < 5 pC                | V <sub>pd(m)</sub> | 636                            | V peak |
| After Input and/or Safety Test Subgroup 2<br>and Subgroup 3   | V <sub>IORM</sub> × 1.2 = V <sub>pd(m)</sub> , t <sub>ini</sub> = 60 sec, t <sub>m</sub> = 10 sec,<br>partial discharge < 5 pC                |                    | 509                            | V peak |
| Highest Allowable Overvoltage   |   | V <sub>IOTM</sub>  | 5000                           | V peak |
| Surge Isolation Voltage   |   |                    |                                |        |
| Basic   | V <sub>PEAK</sub> = 12.8 kV, 1.2 μs rise time, 50 μs, 50% fall time   | V <sub>IOSM</sub>  | 10,000                         | V peak |
| Reinforced  | V <sub>PEAK</sub> = 10 kV, 1.2 μs rise time, 50 μs, 50% fall time   | V <sub>IOSM</sub>  | 6000                           | V peak |

| Description                     | Test Conditions/Comments | Symbol | Characteristic   | Unit |
|---------------------------------|--------------------------|--------|------------------|------|
| Maximum Junction Temperature    | (see Figure 5)           | $T_S$  | 150              | °C   |
| Total Power Dissipation at 25°C |                          | $P_S$  | 2.78             | W    |
| 20-Lead SOIC                    |                          |        | 1.8              | W    |
| 20-Lead SSOP                    |                          |        | >10 <sup>9</sup> | Ω    |
| Insulation Resistance at $T_S$  | $V_{IO} = 500 V$         | $R_S$  |                  |      |

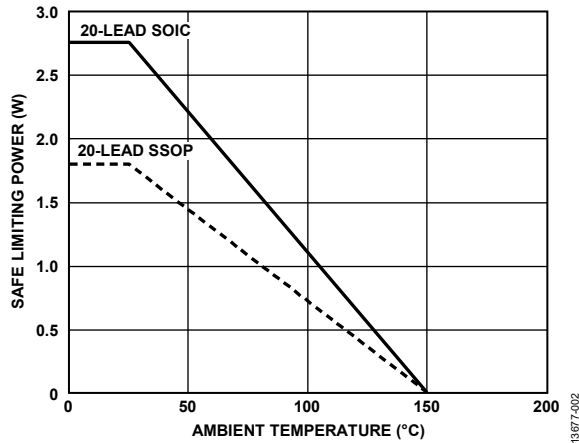


Figure 5. Thermal Derating Curve, Dependence of Safety Limiting Values with Ambient Temperature per DIN V VDE V 0884-10

RECOMMENDED OPERATING CONDITIONS

Table 9.

| Parameter                                  | Symbol             | Rating             |
|--|--------------------|--------------------|
| Operating Temperature                      | $T_A$              | -40°C to +125°C    |
| Supply Voltages                            |                    |                    |
| Supply to LDO                              | $V_{IN1}, V_{IN2}$ | 3.0 V to 3.6 V     |
| LDO Bypass, $V_{INx}$ Shorted to $V_{DDx}$ | $V_{DD1}, V_{DD2}$ | 2.375 V to 2.625 V |

## ABSOLUTE MAXIMUM RATINGS

Table 10.

| Parameter  | Rating   |
|--|--|
| V <sub>IN1</sub> to GND <sub>1</sub> /V <sub>IN2</sub> to GND <sub>2</sub>                             | -0.3 V to +6.5 V   |
| V <sub>DD1</sub> to GND <sub>1</sub> /V <sub>DD2</sub> to GND <sub>2</sub>                             | -0.3 V to +2.8 V   |
| Input Voltage (D <sub>INx+</sub> , D <sub>INx-</sub> ) to GND <sub>x</sub> on the Same Side            | -0.3 V to V <sub>DD</sub> + 0.3 V                          |
| Output Voltage (D <sub>OUTx+</sub> , D <sub>OUTx-</sub> ) to GND <sub>x</sub> on the Same Side         | -0.3 V to V <sub>DD</sub> + 0.3 V                          |
| Short-Circuit Duration (D <sub>OUTx+</sub> , D <sub>OUTx-</sub> ) to GND <sub>x</sub> on the Same Side | Continuous   |
| Operating Temperature Range  | -40°C to +125°C  |
| Storage Temperature Range  | -65°C to +150°C  |
| Junction Temperature (T <sub>J</sub> Maximum)  | 150°C  |
| Power Dissipation  | (T <sub>J</sub> maximum - T <sub>A</sub> )/θ <sub>JA</sub> |
| ESD  |  |
| Human Body Model (All Pins to Respective GND <sub>x</sub> , 1.5 kΩ, 100 pF)                            | ±4 kV  |
| IEC 61000-4-2 (LVDS Pins to Isolated GND <sub>x</sub> Across Isolation Barrier)                        |  |
| 20-Lead SOIC   | ±8 kV  |
| 20-Lead SSOP   | ±7 kV  |

Stresses at or above those listed under Absolute Maximum Ratings may cause permanent damage to the product. This is a stress rating only; functional operation of the product at these or any other conditions above those indicated in the operational section of this specification is not implied. Operation beyond the maximum operating conditions for extended periods may affect product reliability.

Table 12. Maximum Continuous Working Voltage<sup>1</sup>

| Parameter             | Rating       |              | Constraint   |
|-----------------------|--------------|--------------|--|
|                       | 20-Lead SOIC | 20-Lead SSOP |  |
| AC Voltage            |              |              |  |
| Bipolar Waveform      |              |              |  |
| Basic Insulation      | 495 V peak   | 424 V peak   | 50-year minimum insulation lifetime for 1% failure                     |
| Reinforced Insulation | 495 V peak   | 424 V peak   | 50-year minimum insulation lifetime for 1% failure                     |
| Unipolar Waveform     |              |              |  |
| Basic Insulation      | 990 V peak   | 848 V peak   | 50-year minimum insulation lifetime for 1% failure                     |
| Reinforced Insulation | 875 V peak   | 620 V peak   | Lifetime limited by package creepage, maximum approved working voltage |
| DC Voltage            |              |              |  |
| Basic Insulation      | 1079 V peak  | 754 V peak   | Lifetime limited by package creepage, maximum approved working voltage |
| Reinforced Insulation | 536 V peak   | 380 V peak   | Lifetime limited by package creepage, maximum approved working voltage |

<sup>1</sup> The maximum continuous working voltage refers to the continuous voltage magnitude imposed across the isolation barrier. See the Insulation Lifetime section for more details.

## THERMAL RESISTANCE

θ<sub>JA</sub> is specified for the worst case conditions, that is, a device soldered in a circuit board for surface-mount packages.

Table 11. Thermal Resistance

| Package Type | θ <sub>JA</sub> | Unit |
|--------------|-----------------|------|
| 20-Lead SOIC | 45.7            | °C/W |
| 20-lead SSOP | 69.6            | °C/W |

## ESD CAUTION



**ESD (electrostatic discharge) sensitive device.** Charged devices and circuit boards can discharge without detection. Although this product features patented or proprietary protection circuitry, damage may occur on devices subjected to high energy ESD. Therefore, proper ESD precautions should be taken to avoid performance degradation or loss of functionality.



## PIN CONFIGURATIONS AND FUNCTION DESCRIPTIONS

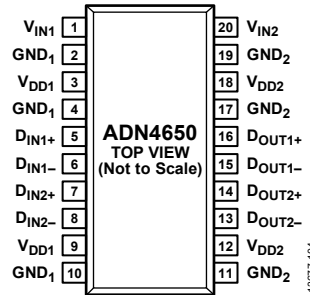


Figure 6. ADN4650 Pin Configuration

Table 13. ADN4650 Pin Function Descriptions

| Pin No.    | Mnemonic           | Description   |
|------------|--------------------|---|
| 1          | V <sub>IN1</sub>   | Optional 3.3 V Power Supply/LDO Input for Side 1. Bypass V <sub>IN1</sub> to GND <sub>1</sub> using a 1 $\mu$ F capacitor. Alternatively, if using a 2.5 V supply, connect V <sub>IN1</sub> directly to V <sub>DD1</sub> .  |
| 2, 4, 10   | GND <sub>1</sub>   | Ground, Side 1.   |
| 3, 9       | V <sub>DD1</sub>   | 2.5 V Power Supply for Side 1. Connect both pins externally and bypass to GND <sub>1</sub> with 0.1 $\mu$ F capacitors. If supplying 3.3 V to V <sub>IN1</sub> , connect a 1 $\mu$ F capacitor between Pin 3 and GND <sub>1</sub> for proper regulation of the 2.5 V output of the internal LDO.  |
| 5          | D <sub>IN1+</sub>  | Noninverted Differential Input 1.   |
| 6          | D <sub>IN1-</sub>  | Inverted Differential Input 1.  |
| 7          | D <sub>IN2+</sub>  | Noninverted Differential Input 2.   |
| 8          | D <sub>IN2-</sub>  | Inverted Differential Input 2.  |
| 11, 17, 19 | GND <sub>2</sub>   | Ground, Side 2.   |
| 12, 18     | V <sub>DD2</sub>   | 2.5 V Power Supply for Side 2. Connect both pins externally and bypass to GND <sub>2</sub> with 0.1 $\mu$ F capacitors. If supplying 3.3 V to V <sub>IN2</sub> , connect a 1 $\mu$ F capacitor between Pin 18 and GND <sub>2</sub> for proper regulation of the 2.5 V output of the internal LDO. |
| 13         | D <sub>OUT2-</sub> | Inverted Differential Output 2.   |
| 14         | D <sub>OUT2+</sub> | Noninverted Differential Output 2.  |
| 15         | D <sub>OUT1-</sub> | Inverted Differential Output 1.   |
| 16         | D <sub>OUT1+</sub> | Noninverted Differential Output 1.  |
| 20         | V <sub>IN2</sub>   | Optional 3.3 V Power Supply/LDO Input for Side 2. Bypass V <sub>IN2</sub> to GND <sub>2</sub> using a 1 $\mu$ F capacitor. Alternatively, if using a 2.5 V supply, connect V <sub>IN2</sub> directly to V <sub>DD2</sub> .  |

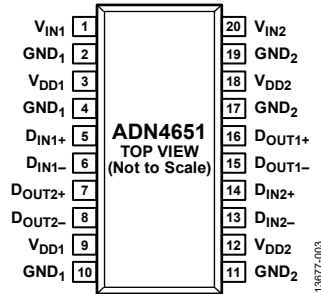


Figure 7. ADN4651 Pin Configuration

Table 14. ADN4651 Pin Function Descriptions

| Pin No.    | Mnemonic           | Description   |
|------------|--------------------|---|
| 1          | V <sub>IN1</sub>   | Optional 3.3 V Power Supply/LDO Input for Side 1. Bypass V <sub>IN1</sub> to GND <sub>1</sub> using a 1 μF capacitor. Alternatively, if using a 2.5 V supply, connect V <sub>IN1</sub> directly to V <sub>DD1</sub> .   |
| 2, 4, 10   | GND <sub>1</sub>   | Ground, Side 1.   |
| 3, 9       | V <sub>DD1</sub>   | 2.5 V Power Supply for Side 1. Connect both pins externally and bypass to GND <sub>1</sub> with 0.1 μF capacitors. If supplying 3.3 V to V <sub>IN1</sub> , connect a 1 μF capacitor between Pin 3 and GND <sub>1</sub> for proper regulation of the 2.5 V output of the internal LDO.  |
| 5          | D <sub>IN1+</sub>  | Noninverted Differential Input 1.   |
| 6          | D <sub>IN1-</sub>  | Inverted Differential Input 1.  |
| 7          | D <sub>OUT2+</sub> | Noninverted Differential Output 2.  |
| 8          | D <sub>OUT2-</sub> | Inverted Differential Output 2.   |
| 11, 17, 19 | GND <sub>2</sub>   | Ground, Side 2.   |
| 12, 18     | V <sub>DD2</sub>   | 2.5 V Power Supply for Side 2. Connect both pins externally and bypass to GND <sub>2</sub> with 0.1 μF capacitors. If supplying 3.3 V to V <sub>IN2</sub> , connect a 1 μF capacitor between Pin 18 and GND <sub>2</sub> for proper regulation of the 2.5 V output of the internal LDO. |
| 13         | D <sub>IN2-</sub>  | Inverted Differential Input 2.  |
| 14         | D <sub>IN2+</sub>  | Noninverted Differential Input 2.   |
| 15         | D <sub>OUT1-</sub> | Inverted Differential Output 1.   |
| 16         | D <sub>OUT1+</sub> | Noninverted Differential Output 1.  |
| 20         | V <sub>IN2</sub>   | Optional 3.3 V Power Supply/LDO Input for Side 2. Bypass V <sub>IN2</sub> to GND <sub>2</sub> using a 1 μF capacitor. Alternatively, if using a 2.5 V supply, connect V <sub>IN2</sub> directly to V <sub>DD2</sub> .   |

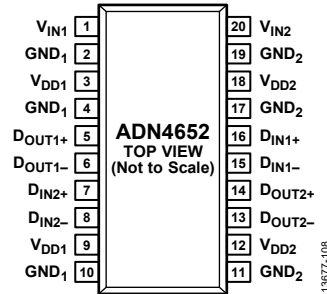


Figure 8. ADN4652 Pin Configuration

Table 15. ADN4652 Pin Function Descriptions

| Pin No.    | Mnemonic           | Description   |
|------------|--------------------|---|
| 1          | V <sub>IN1</sub>   | Optional 3.3 V Power Supply/LDO Input for Side 1. Bypass V <sub>IN1</sub> to GND <sub>1</sub> using a 1 $\mu$ F capacitor. Alternatively, if using a 2.5 V supply, connect V <sub>IN1</sub> directly to V <sub>DD1</sub> .  |
| 2, 4, 10   | GND <sub>1</sub>   | Ground, Side 1.   |
| 3, 9       | V <sub>DD1</sub>   | 2.5 V Power Supply for Side 1. Connect both pins externally and bypass to GND <sub>1</sub> with 0.1 $\mu$ F capacitors. If supplying 3.3 V to V <sub>IN1</sub> , connect a 1 $\mu$ F capacitor between Pin 3 and GND <sub>1</sub> for proper regulation of the 2.5 V output of the internal LDO.  |
| 5          | D <sub>OUT1+</sub> | Noninverted Differential Output 1.  |
| 6          | D <sub>OUT1-</sub> | Inverted Differential Output 1.   |
| 7          | D <sub>IN2+</sub>  | Noninverted Differential Input 2.   |
| 8          | D <sub>IN2-</sub>  | Inverted Differential Input 2.  |
| 11, 17, 19 | GND <sub>2</sub>   | Ground, Side 2.   |
| 12, 18     | V <sub>DD2</sub>   | 2.5 V Power Supply for Side 2. Connect both pins externally and bypass to GND <sub>2</sub> with 0.1 $\mu$ F capacitors. If supplying 3.3 V to V <sub>IN2</sub> , connect a 1 $\mu$ F capacitor between Pin 18 and GND <sub>2</sub> for proper regulation of the 2.5 V output of the internal LDO. |
| 13         | D <sub>OUT2-</sub> | Inverted Differential Output 2.   |
| 14         | D <sub>OUT2+</sub> | Noninverted Differential Output 2.  |
| 15         | D <sub>IN1-</sub>  | Inverted Differential Input 1.  |
| 16         | D <sub>IN1+</sub>  | Noninverted Differential Input 1.   |
| 20         | V <sub>IN2</sub>   | Optional 3.3 V Power Supply/LDO Input for Side 2. Bypass V <sub>IN2</sub> to GND <sub>2</sub> using a 1 $\mu$ F capacitor. Alternatively, if using a 2.5 V supply, connect V <sub>IN2</sub> directly to V <sub>DD2</sub> .  |

TYPICAL PERFORMANCE CHARACTERISTICS

$V_{DD1} = V_{DD2} = 2.5\text{ V}$ ,  $T_A = 25^\circ\text{C}$ ,  $R_L = 100\ \Omega$ , 300 MHz input with  $|V_{ID}| = 200\text{ mV}$ , and  $V_{IC} = 1.1\text{ V}$ , unless otherwise noted.

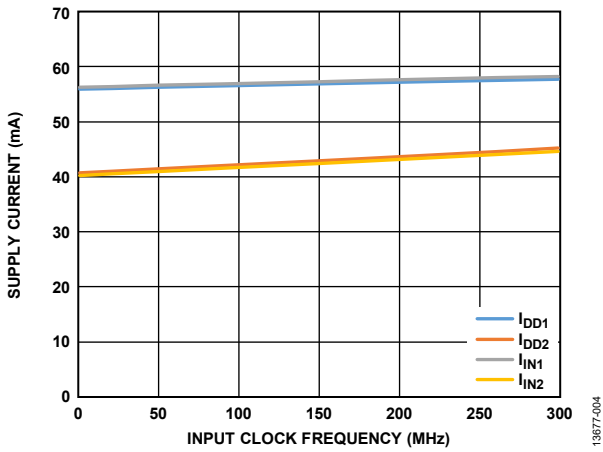


Figure 9.  $I_{DD1}/I_{DD2}$  or  $I_{IN1}/I_{IN2}$  Supply Current vs.  $D_{IN1\pm}$  Input Clock Frequency ( $D_{IN2\pm}$  Not Switching)

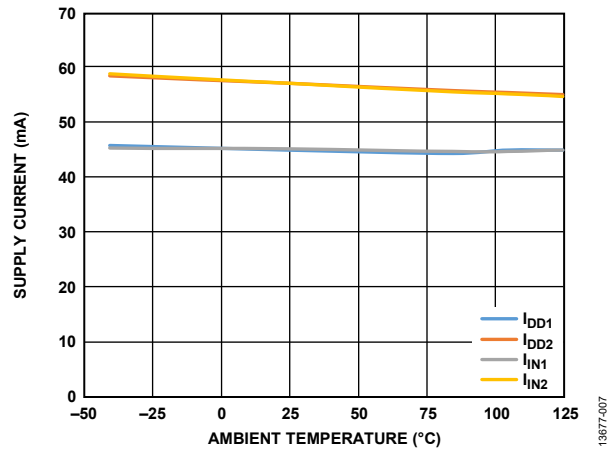


Figure 12.  $I_{DD1}/I_{DD2}$  or  $I_{IN1}/I_{IN2}$  Supply Current vs. Ambient Temperature ( $T_A$ ) ( $D_{IN2\pm}$  with 300 MHz Clock Input,  $D_{IN1\pm}$  Not Switching)

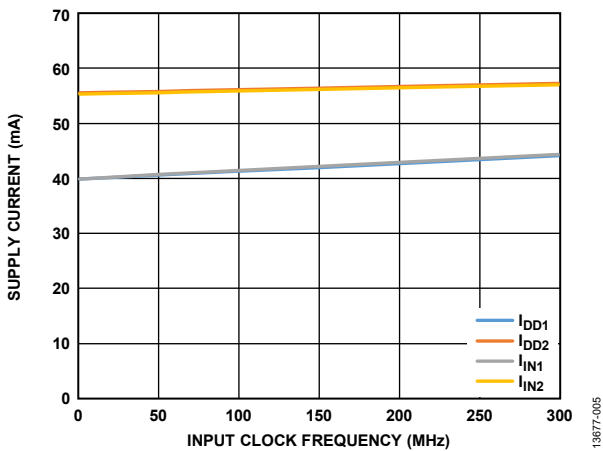


Figure 10.  $I_{DD1}/I_{DD2}$  or  $I_{IN1}/I_{IN2}$  Supply Current vs.  $D_{IN2\pm}$  Input Clock Frequency ( $D_{IN1\pm}$  Not Switching)

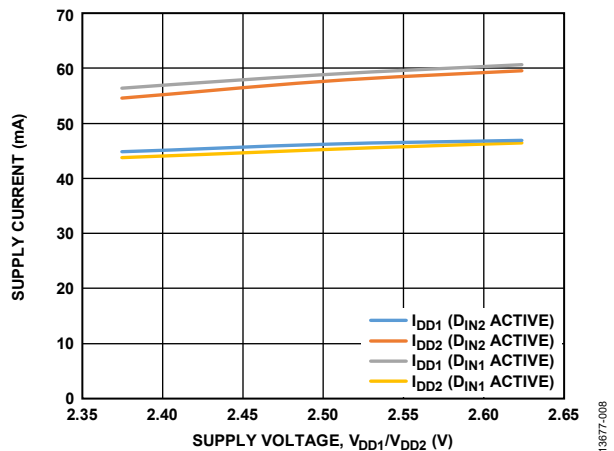


Figure 13.  $I_{DD1}/I_{DD2}$  Supply Current vs. Supply Voltage,  $V_{DD1}/V_{DD2}$

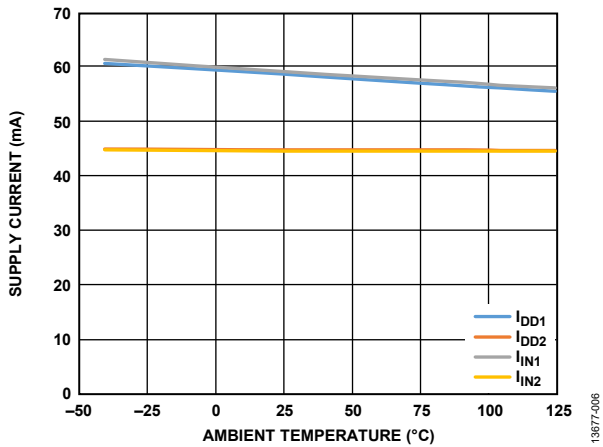


Figure 11.  $I_{DD1}/I_{DD2}$  or  $I_{IN1}/I_{IN2}$  Supply Current vs. Ambient Temperature ( $T_A$ ) ( $D_{IN1\pm}$  with 300 MHz Clock Input,  $D_{IN2\pm}$  Not Switching)

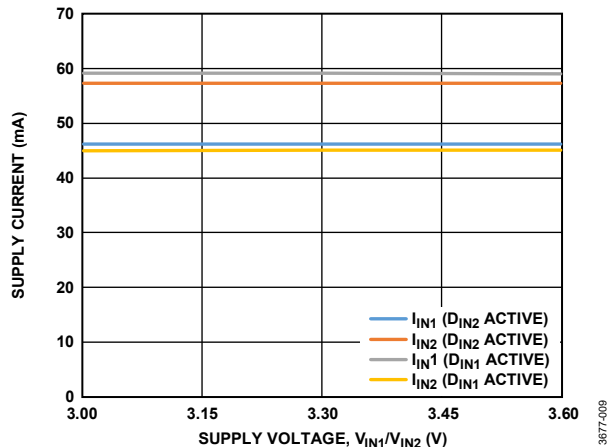


Figure 14.  $I_{IN1}/I_{IN2}$  Supply Current vs. Supply Voltage,  $V_{IN1}/V_{IN2}$

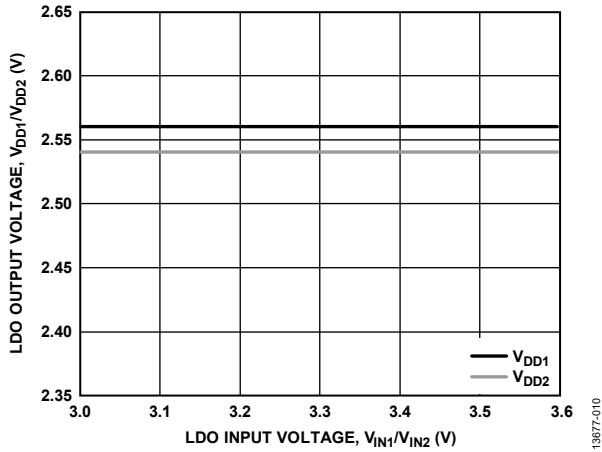


Figure 15. LDO Output Voltage,  $V_{DD1}/V_{DD2}$  vs. LDO Input Voltage,  $V_{IN1}/V_{IN2}$

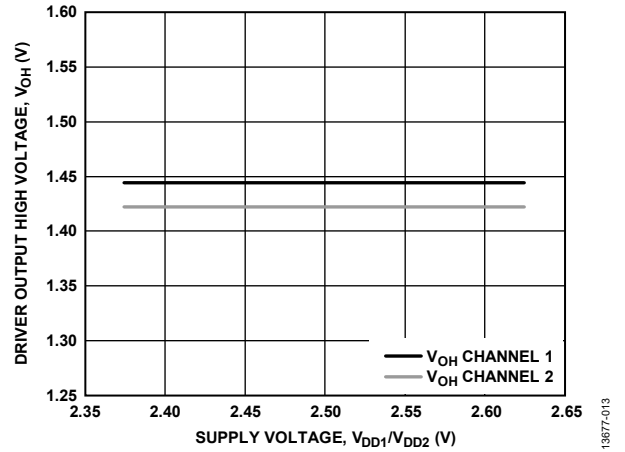


Figure 18. Driver Output High Voltage,  $V_{OH}$  vs. Supply Voltage,  $V_{DD1}/V_{DD2}$

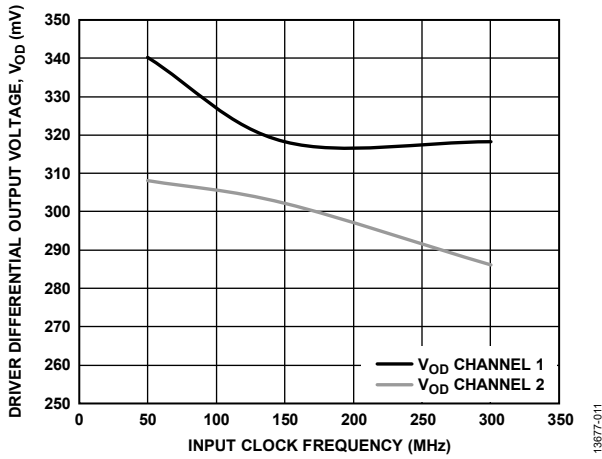


Figure 16. Driver Differential Output Voltage,  $V_{OD}$  vs. Input Clock Frequency

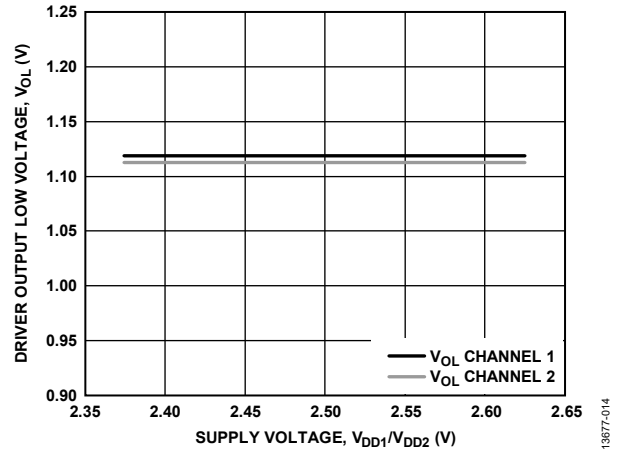


Figure 19. Driver Output Low Voltage,  $V_{OL}$  vs. Supply Voltage,  $V_{DD1}/V_{DD2}$

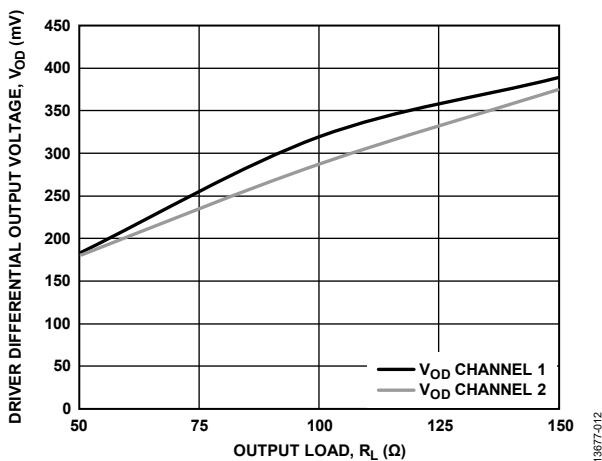


Figure 17. Driver Differential Output Voltage,  $V_{OD}$  vs. Output Load,  $R_L$

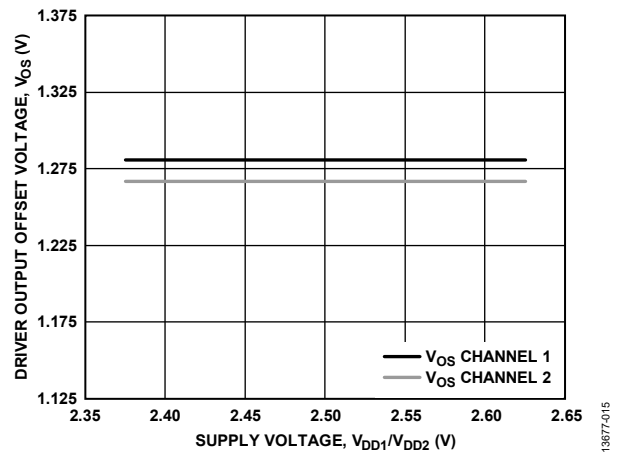


Figure 20. Driver Output Offset Voltage,  $V_{OS}$  vs. Supply Voltage,  $V_{DD1}/V_{DD2}$

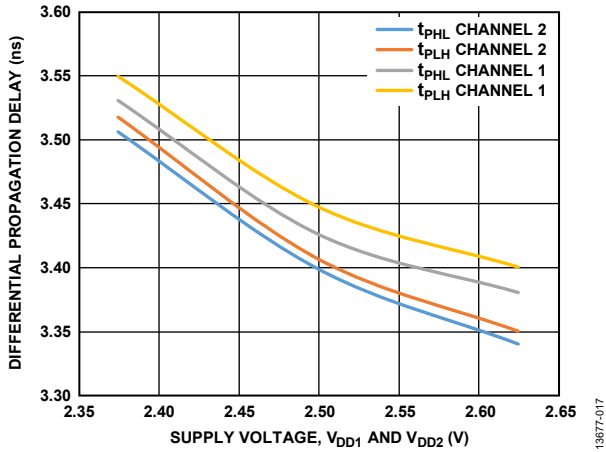


Figure 21. Differential Propagation Delay vs. Supply Voltage,  $V_{DD1}$  and  $V_{DD2}$

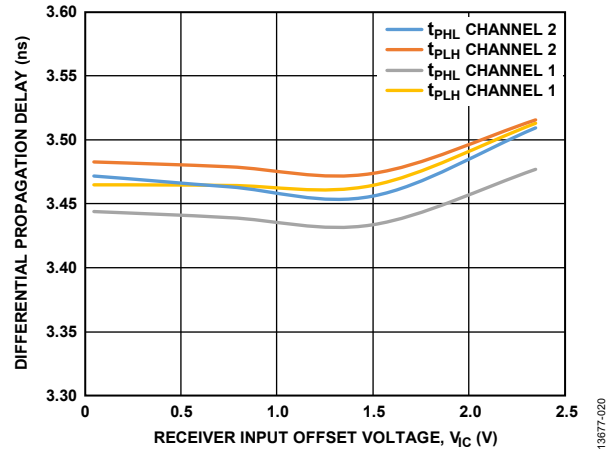


Figure 24. Differential Propagation Delay vs. Receiver Input Offset Voltage,  $V_{IC}$

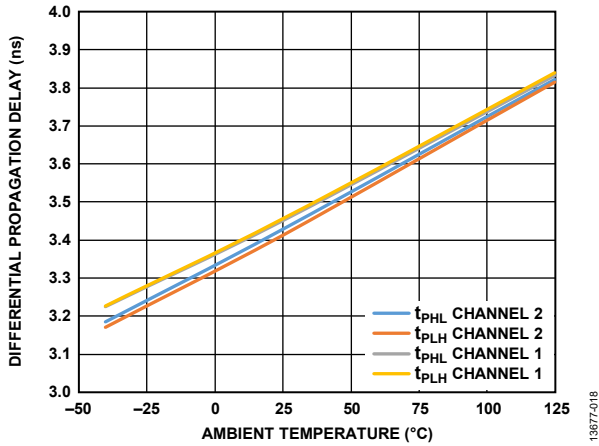


Figure 22. Differential Propagation Delay vs. Ambient Temperature ( $T_A$ )

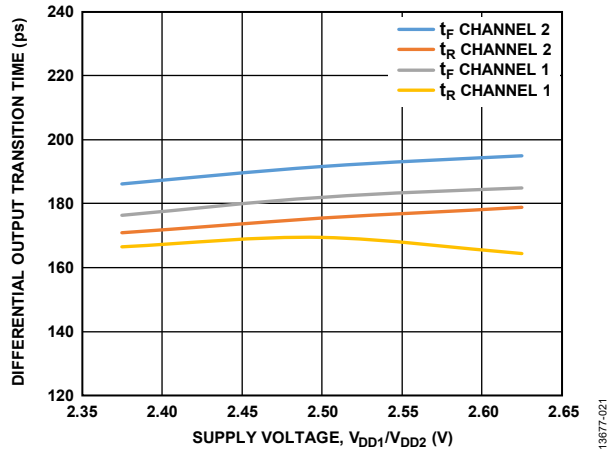


Figure 25. Differential Output Transition Time vs. Supply Voltage,  $V_{DD1}/V_{DD2}$

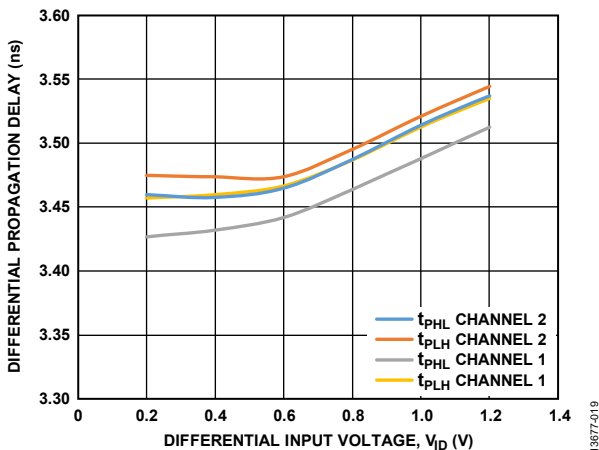


Figure 23. Differential Propagation Delay vs. Receiver Differential Input Voltage,  $V_{ID}$

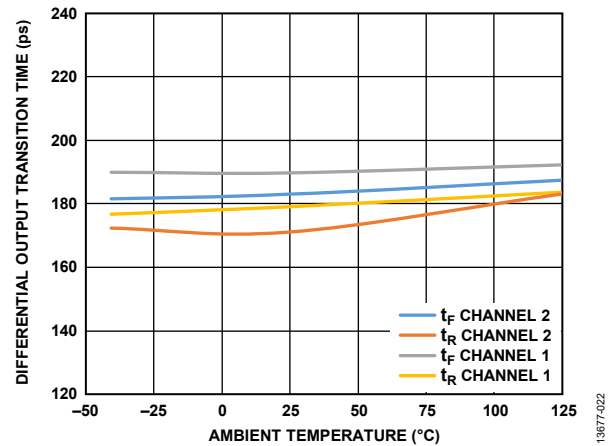


Figure 26. Differential Output Transition Time vs. Ambient Temperature ( $T_A$ )

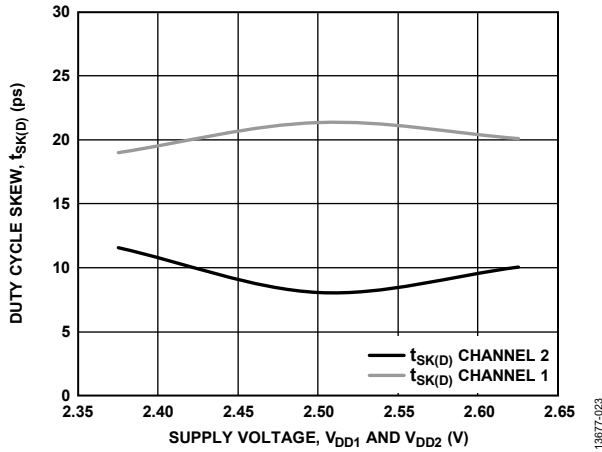


Figure 27. Duty Cycle Skew,  $t_{SK(D)}$  vs. Supply Voltage,  $V_{DD1}$  AND  $V_{DD2}$

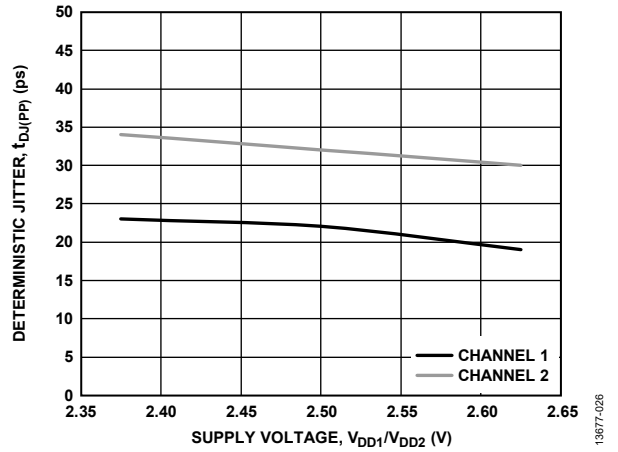


Figure 30. Deterministic Jitter,  $t_{DJ(PP)}$  vs. Supply Voltage,  $V_{DD1}/V_{DD2}$

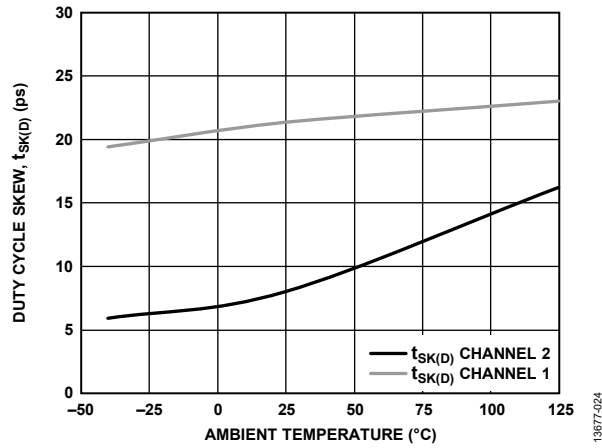


Figure 28. Duty Cycle Skew,  $t_{SK(D)}$  vs. Ambient Temperature ( $T_A$ )

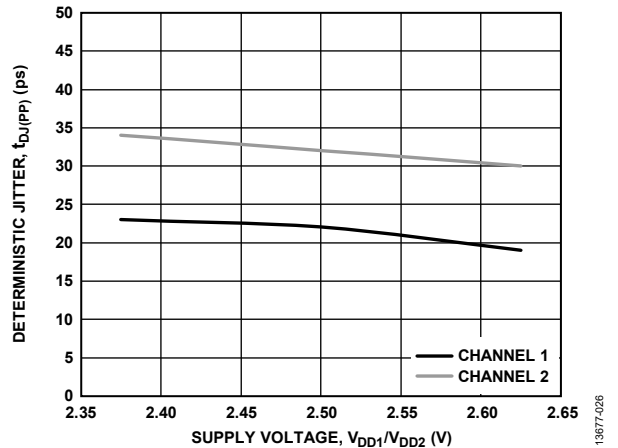


Figure 31. Deterministic Jitter,  $t_{DJ(PP)}$  vs. Ambient Temperature

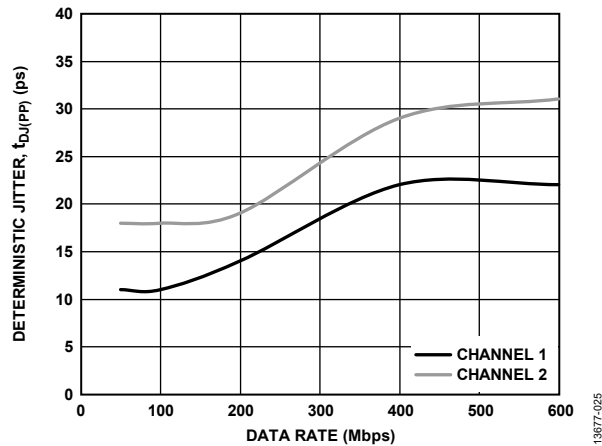


Figure 29. Deterministic Jitter,  $t_{DJ(PP)}$  vs. Data Rate

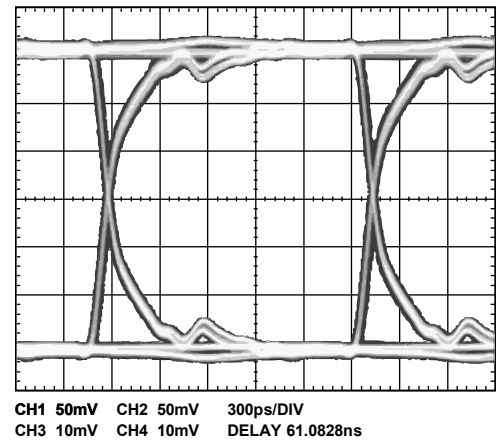
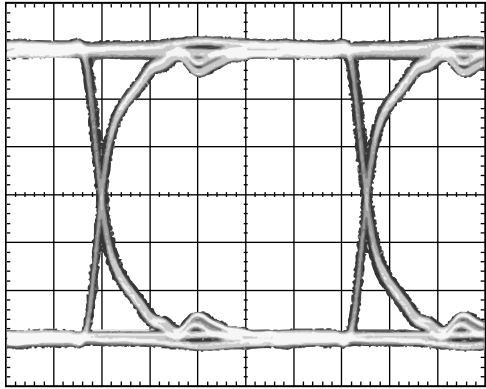


Figure 32. ADN4651 Eye Diagram for  $D_{OUT1\pm}$



CH1 50mV CH2 50mV 300ps/DIV  
CH3 10mV CH4 10mV DELAY 61.0828ns

13877-029

Figure 33. [ADN4651](#) Eye Diagram for  $D_{OUT2\pm}$



# TEST CIRCUITS AND SWITCHING CHARACTERISTICS

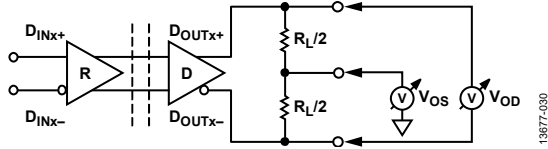
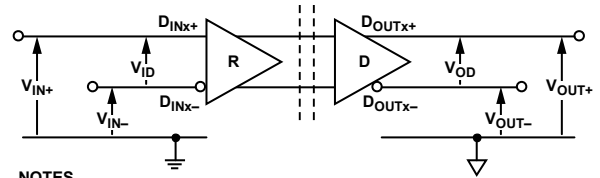


Figure 34. Driver Test Circuit

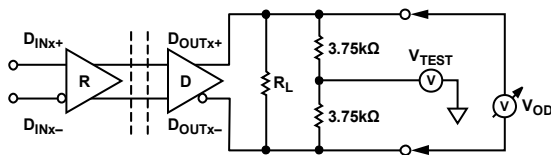
13677-030



- NOTES
1.  $V_{ID} = V_{IN+} - V_{IN-}$
  2.  $V_{IC} = (V_{IN+} + V_{IN-})/2$
  3.  $V_{OD} = V_{OUT+} - V_{OUT-}$
  4.  $V_{OS} = (V_{OUT+} + V_{OUT-})/2$

Figure 36. Voltage Definitions

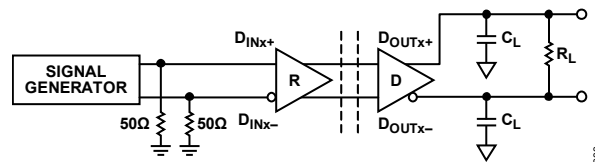
13677-032



- NOTES
1.  $V_{TEST} = 0V$  TO  $2.4V$

Figure 35. Driver Test Circuit (Full Load Across Common-Mode Range)

13677-031



- NOTES
1.  $C_L$  INCLUDES PROBE AND JIG CAPACITANCE.

Figure 37. Timing Test Circuit

13677-033

## THEORY OF OPERATION

The [ADN4650/ADN4651/ADN4652](#) are TIA/EIA-644-A LVDS compliant isolated buffers. LVDS signals applied to the inputs are transmitted on the outputs of the buffer, and galvanic isolation is integrated between the two sides of the device. This integration allows drop-in isolation of LVDS signal chains.

The LVDS receiver detects the differential voltage present across a termination resistor on an LVDS input. An integrated digital isolator transmits the input state across the isolation barrier, and an LVDS driver outputs the same state as the input.

With a positive differential voltage of  $\geq 100$  mV across any  $D_{INx\pm}$  pin, the corresponding  $D_{OUTx+}$  pin sources current. This current flows across the connected transmission line and termination at the receiver at the far end of the bus, while  $D_{OUTx-}$  sinks the return current. With a negative differential voltage of  $\leq -100$  mV across any  $D_{INx\pm}$  pin, the corresponding  $D_{OUTx+}$  pin sinks current, with  $D_{OUTx-}$  sourcing the current. Table 16 and Table 17 show these input/output combinations.

The output drive current is between  $\pm 2.5$  mA and  $\pm 4.5$  mA (typically  $\pm 3.1$  mA), developing between  $\pm 250$  mV and  $\pm 450$  mV across a  $100 \Omega$  termination resistor ( $R_T$ ). The received voltage is centered around 1.2 V. Note that because the differential voltage ( $V_{ID}$ ) reverses polarity, the peak-to-peak voltage swing across  $R_T$  is twice the differential voltage magnitude ( $|V_{ID}|$ ).

### TRUTH TABLE AND FAIL-SAFE RECEIVER

The LVDS standard, TIA/EIA-644-A, defines normal receiver operation under two conditions: an input differential voltage of  $\geq +100$  mV corresponding to one logic state, and a voltage of  $\leq -100$  mV for the other logic state. Between these thresholds, standard LVDS receiver operation is undefined (it may detect either state), as shown in Table 16 for the [ADN4650](#). The [ADN4651/ADN4652](#) incorporate a fail-safe circuit to ensure

the LVDS outputs are in a known state (logic high) when the input state is undefined ( $-100 \text{ mV} < V_{ID} < +100 \text{ mV}$ ), as shown in Table 17.

This input state can occur when the inputs are floating (unconnected, no termination resistor), when the inputs are shorted, and when there is no active driver connected to the inputs (but with a termination resistor). Open-circuit, short-circuit, and terminated/idle bus fail-safes, respectively, ensure a known output state for these conditions, as implemented by the [ADN4651/ADN4652](#).

After the fail-safe circuit is triggered by these input states ( $-100 \text{ mV} < V_{ID} < +100 \text{ mV}$ ), there is a delay of up to  $1.2 \mu\text{s}$  before the output is guaranteed to be high ( $V_{OD} \geq 250 \text{ mV}$ ). During this time, the output may transition to or stay in a logic low state ( $V_{OD} \leq -250 \text{ mV}$ ).

The fail-safe circuit triggers as soon as the input differential voltage remains between  $+100$  mV and  $-100$  mV for some nanoseconds. This means that very slow rise and fall times on the input signal, outside typical LVDS operation ( $350 \text{ ps}$  maximum  $t_R/t_F$ ), can potentially trigger the fail-safe circuit on a high to low crossover.

At the minimum  $|V_{ID}|$  of  $100 \text{ mV}$  for normal operation, the rise/fall time must be  $\leq 5 \text{ ns}$  to avoid triggering a fail-safe state. Increasing  $|V_{ID}|$  to  $200 \text{ mV}$  correspondingly allows an input rise/fall time of up to  $10 \text{ ns}$  without triggering a fail-safe state. For very low speed applications where slow high to low transitions in excess of this limit are expected, using external biasing resistors is an option to introduce a minimum  $|V_{ID}|$  of  $100 \text{ mV}$  (that is, the fail-safe cannot trigger).

Table 16. [ADN4650](#) Input/Output Operation

| Input ( $D_{INx\pm}$ ) |                        |               | Output ( $D_{OUTx\pm}$ ) |               |               |
|------------------------|------------------------|---------------|--------------------------|---------------|---------------|
| Powered On             | $V_{ID}$ (mV)          | Logic         | Powered On               | $V_{OD}$ (mV) | Logic         |
| Yes                    | $\geq 100$             | High          | Yes                      | $\geq 250$    | High          |
| Yes                    | $\leq -100$            | Low           | Yes                      | $\leq -250$   | Low           |
| Yes                    | $-100 < V_{ID} < +100$ | Indeterminate | Yes                      | Indeterminate | Indeterminate |
| No                     | Don't care             | Don't care    | Yes                      | $\geq 250$    | High          |

Table 17. [ADN4651/ADN4652](#) Input/Output Operation

| Input ( $D_{INx\pm}$ ) |                        |               | Output ( $D_{OUTx\pm}$ ) |               |       |
|------------------------|------------------------|---------------|--------------------------|---------------|-------|
| Powered On             | $V_{ID}$ (mV)          | Logic         | Powered On               | $V_{OD}$ (mV) | Logic |
| Yes                    | $\geq 100$             | High          | Yes                      | $\geq 250$    | High  |
| Yes                    | $\leq -100$            | Low           | Yes                      | $\leq -250$   | Low   |
| Yes                    | $-100 < V_{ID} < +100$ | Indeterminate | Yes                      | $\geq 250$    | High  |
| No                     | Don't care             | Don't care    | Yes                      | $\geq 250$    | High  |

## ISOLATION

In response to any change in the input state detected by the integrated LVDS receiver, an encoder circuit sends narrow (~1 ns) pulses to a decoder circuit using integrated transformer coils. The decoder is bistable and is, therefore, either set or reset by the pulses that indicate input transitions. The decoder state determines the LVDS driver output state in normal operation, and this in turn reflects the isolated LVDS buffer input state.

In the absence of input transitions for more than approximately 1  $\mu$ s, a periodic set of refresh pulses, indicative of the correct input state, ensures dc correctness at the output (including the fail-safe output state, if applicable). These periodic refresh pulses also correct the output state within 1  $\mu$ s in the event of a fault condition or set the ADN4651/ADN4652 output to the fail-safe state.

On power-up, the output state may initially be in the incorrect dc state if there are no input transitions. The output state is corrected within 1  $\mu$ s by the refresh pulses.

If the decoder receives no internal pulses for more than approximately 1  $\mu$ s, the device assumes that the input side is unpowered or nonfunctional, in which case, the output is set to a positive differential voltage (logic high).

## PCB LAYOUT

The ADN4650/ADN4651/ADN4652 can operate with high speed LVDS signals up to 300 MHz clock, or 600 Mbps nonreturn to zero (NRZ) data. With such high frequencies, it is particularly important to apply best practices for the LVDS trace layout and termination. Locate a 100  $\Omega$  termination resistor as close as possible to the receiver, across the  $D_{INx+}$  and  $D_{INx-}$  pins.

Controlled 50  $\Omega$  impedance traces are needed on the LVDS signal lines for full signal integrity, reduced system jitter, and minimizing electromagnetic interference (EMI) from the PCB. Trace widths, lateral distance within each pair, and distance to the ground plane underneath all must be chosen appropriately. Via fencing to the PCB ground between pairs is also a best practice to minimize crosstalk between adjacent pairs.

The ADN4650/ADN4651/ADN4652 pass EN55022 Class B emissions limits without extra considerations required for the isolator when operating with up to 600 Mbps PRBS data. When isolating high speed clocks (for example, 300 MHz), a reduced PCB clearance (isolation gap) may be required with the 20-lead SOIC models to reduce dipole antenna effects and provide sufficient margin below Class B emissions limits. The 20-lead SSOP models pass the Class B limits up to 150 MHz clock frequencies with no extra PCB measures.

The best practice for high speed PCB design avoids any other emissions from PCBs in applications that use the ADN4650/ADN4651/ADN4652. Special care is recommended for off board connections, where switching transients from high speed LVDS signals (and clocks in particular) may conduct onto cabling, resulting in radiated emissions. Use common-mode chokes, ferrites, or other filters as appropriate at the LVDS connectors, as well as cable shield or PCB ground connections to earth/chassis.

The ADN4650/ADN4651/ADN4652 require appropriate decoupling of the  $V_{DDx}$  pins with 100 nF capacitors. If the integrated LDO is not used, and a 2.5 V supply is connected directly, connect the appropriate  $V_{INx}$  pin to the supply as well, as shown in Figure 38, using the ADN4651 as an example.

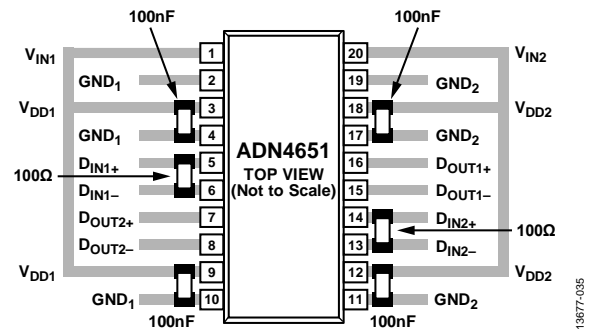


Figure 38. Required PCB Layout When Not Using the LDO (2.5 V Supply)

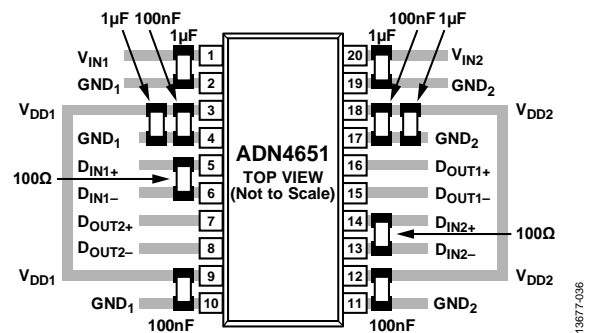


Figure 39. Required PCB Layout When Using the LDO (3.3 V Supply)

When the integrated LDO is used, bypass capacitors of 1  $\mu$ F are required on the  $V_{INx}$  pins and on the nearest  $V_{DDx}$  pins (LDO output), as shown in Figure 39, using the ADN4651 as an example.

## MAGNETIC FIELD IMMUNITY

The limitation on the magnetic field immunity of the device is set by the condition in which the induced voltage in the transformer receiving coil is sufficiently large, either to falsely set or reset the decoder. The following analysis defines such conditions. The ADN4650/ADN4651/ADN4652 are examined in a 2.375 V operating condition because it represents the most susceptible mode of operation for this product.

The pulses at the transformer output have an amplitude greater than 0.5 V. The decoder has a sensing threshold of about 0.25 V, therefore establishing a 0.25 V margin in which induced voltages are tolerated. The voltage induced across the receiving coil is given by the following:

$$V = (-d\beta/dt)\Sigma\pi r_n^2; n = 1, 2, \dots, N$$

where:

$\beta$  is the magnetic flux density.

$r_n$  is the radius of the  $n^{\text{th}}$  turn in the receiving coil.

$N$  is the number of turns in the receiving coil.

Given the geometry of the receiving coil in the [ADN4650/ADN4651/ADN4652](#), and an imposed requirement that the induced voltage be, at most, 50% of the 0.25 V margin at the decoder, a maximum allowable magnetic field is calculated as shown in Figure 40.

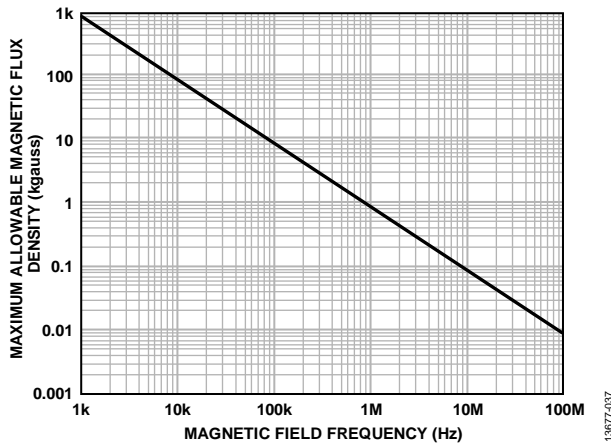


Figure 40. Maximum Allowable External Magnetic Flux Density

For example, at a magnetic field frequency of 1 MHz, the maximum allowable magnetic field of 0.92 kgauss induces a voltage of 0.125 V at the receiving coil. This voltage is about 50% of the sensing threshold and does not cause a faulty output transition. If such an event occurs with the worst case polarity during a transmitted pulse, it reduces the received pulse from >0.5 V to 0.375 V. This voltage is still higher than the 0.25 V sensing threshold of the decoder.

The preceding magnetic flux density values correspond to specific current magnitudes at given distances from the [ADN4650/ADN4651/ADN4652](#) transformers. Figure 41 expresses these allowable current magnitudes as a function of frequency for selected distances. The [ADN4650/ADN4651/ADN4652](#) are very insensitive to external fields. Only extremely large, high frequency currents, very close to the component, can potentially be a concern. For the 1 MHz example noted, a 2.29 kA current must be placed 5 mm from the [ADN4650/ADN4651/ADN4652](#) to affect component operation.

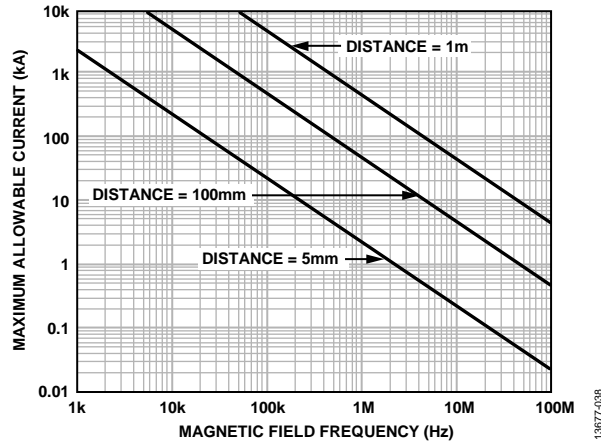


Figure 41. Maximum Allowable Current for Various Current to [ADN4650/ADN4651/ADN4652](#) Spacings

Note that at combinations of strong magnetic field and high frequency, any loops formed by PCB traces can induce sufficiently large error voltages to trigger the thresholds of succeeding circuitry. Avoid PCB structures that form loops.

### INSULATION LIFETIME

All insulation structures eventually break down when subjected to voltage stress over a sufficiently long period. The rate of insulation degradation is dependent on the characteristics of the voltage waveform applied across the insulation as well as on the materials and material interfaces.

The two types of insulation degradation of primary interest are breakdown along surfaces exposed to the air and insulation wear out. Surface breakdown is the phenomenon of surface tracking and the primary determinant of surface creepage requirements in system level standards. Insulation wear out is the phenomenon where charge injection or displacement currents inside the insulation material cause long-term insulation degradation.

#### Surface Tracking

Surface tracking is addressed in electrical safety standards by setting a minimum surface creepage based on the working voltage, the environmental conditions, and the properties of the insulation material. Safety agencies perform characterization testing on the surface insulation of components that allows the components to be categorized in different material groups. Lower material group ratings are more resistant to surface tracking and, therefore, can provide adequate lifetime with smaller creepage. The minimum creepage for a given working voltage and material group is in each system level standard and is based on the total rms voltage across the isolation barrier, pollution degree, and material group. The material group and creepage for [ADN4650/ADN4651/ADN4652](#) are presented in Table 4 and Table 5.

**Insulation Wear Out**

The lifetime of insulation caused by wear out is determined by the thickness, material properties, and the voltage stress applied. It is important to verify that the product lifetime is adequate at the application working voltage. The working voltage supported by an isolator for wear out may not be the same as the working voltage supported for tracking. It is the working voltage applicable to tracking that is specified in most standards.

Testing and modeling show that the primary driver of long-term degradation is displacement current in the polyimide insulation causing incremental damage. The stress on the insulation can be broken down into broad categories, such as dc stress, which causes very little wear out because there is no displacement current, and an ac component time varying voltage stress, which causes wear out.

The ratings in certification documents are usually based on 60 Hz sinusoidal stress because this reflects isolation from line voltage. However, many practical applications have combinations of 60 Hz ac and dc across the isolation barrier, as shown in Equation 1. Because only the ac portion of the stress causes wear out, the equation can be rearranged to solve for the ac rms voltage, as shown in Equation 2. For insulation wear out with the polyimide materials used in this product, the ac rms voltage determines the product lifetime.

$$V_{RMS} = \sqrt{V_{AC\ RMS}^2 + V_{DC}^2} \tag{1}$$

or

$$V_{AC\ RMS} = \sqrt{V_{RMS}^2 - V_{DC}^2} \tag{2}$$

where:

$V_{RMS}$  is the total rms working voltage.

$V_{AC\ RMS}$  is the time varying portion of the working voltage.

$V_{DC}$  is the dc offset of the working voltage.

**Calculation and Use of Parameters Example**

The following example frequently arises in power conversion applications. Assume that the line voltage on one side of the isolation is 240 V ac rms and a 400 V dc bus voltage is present on the other side of the isolation barrier. The isolator material is polyimide. To establish the critical voltages in determining the creepage, clearance, and lifetime of a device, see Figure 42 and the following equations.

The working voltage across the barrier from Equation 1 is

$$V_{RMS} = \sqrt{V_{AC\ RMS}^2 + V_{DC}^2}$$

$$V_{RMS} = \sqrt{240^2 + 400^2}$$

$$V_{RMS} = 466\ V$$

This  $V_{RMS}$  value is the working voltage used together with the material group and pollution degree when looking up the creepage required by a system standard.

To determine if the lifetime is adequate, obtain the time varying portion of the working voltage. To obtain the ac rms voltage, use Equation 2.

$$V_{AC\ RMS} = \sqrt{V_{RMS}^2 - V_{DC}^2}$$

$$V_{AC\ RMS} = \sqrt{466^2 - 400^2}$$

$$V_{AC\ RMS} = 240\ V\ rms$$

In this case, the ac rms voltage is simply the line voltage of 240 V rms. This calculation is more relevant when the waveform is not sinusoidal. The value is compared to the limits for the working voltage in Table 12 for the expected lifetime, less than a 60 Hz sine wave, and it is well within the limit for a 50-year service life.

Note that the dc working voltage limit in Table 12 is set by the creepage of the package as specified in IEC 60664-1. This value can differ for specific system level standards.

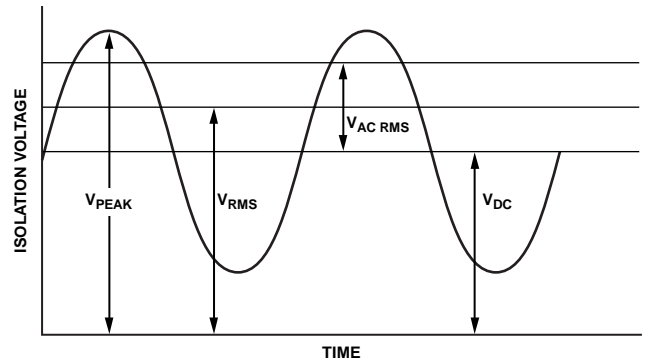


Figure 42. Critical Voltage Example

13877-039

### APPLICATIONS INFORMATION

High speed LVDS interfaces can be isolated using the [ADN4650/ADN4651/ADN4652](#) either between components, between boards, or at a cable interface. The [ADN4650/ADN4651/ADN4652](#) offer full LVDS compliant inputs and outputs, allowing increased LVDS output drive strength compared to built-in reduced specification LVDS interfaces on other components. The LVDS compliant receiver inputs on the [ADN4650/ADN4651/ADN4652](#) also ensure full compatibility with any LVDS source being isolated.

Isolated analog front-end applications provide an example of the [ADN4650/ADN4651](#) isolating an LVDS interface between components. As shown in Figure 43, two [ADN4650](#) components isolate the LVDS interface of the [AD7960](#) analog-to-digital converter (ADC), including 600 Mbps data, a 300 MHz echoed clock, and a 5 MHz sample clock. Isolation of the [AD7960](#) using two [ADN4651](#) components is shown in Figure 44. The [ADN4651](#) additive phase jitter is sufficiently low that it does not affect the ADC performance even when isolating the sample clock. In addition, implementing the galvanic isolation improves ADC performance by removing digital and power supply noise from the field-programmable gate array (FPGA) circuit.

Newer programmable logic controller (PLC) and input/output modules communicate across an LVDS backplane, illustrating a board to board LVDS interface, as shown in Figure 45. With a daisy-chain type topology for transmit and receive to either adjacent node, two [ADN4651](#) (or [ADN4652](#)) devices on each node can isolate four LVDS channels. The addition of galvanic isolation allows a much more robust backplane interface port on the PLC or input/output modules.

With galvanic isolation, even LVDS ports can be treated as full external ports and transmitted along cable runs (see Figure 46), even in harsh environments where high common-mode voltages may be induced on the cable. The low jitter of the [ADN4651/ADN4652](#) ensures that more of the jitter budget can be used to account for the cable effects, allowing the cable to be as long as possible. The [ADN4651/ADN4652](#) offer a high drive strength, fully LVDS compliant output, capable of driving short cable runs of a few meters. This is in contrast to alternative isolation methods that degrade the LVDS signal quality. The data rate can be chosen as appropriate for the cable length; the [ADN4651/ADN4652](#) operate not only at 600 Mbps but also at any arbitrary data rate down to dc.

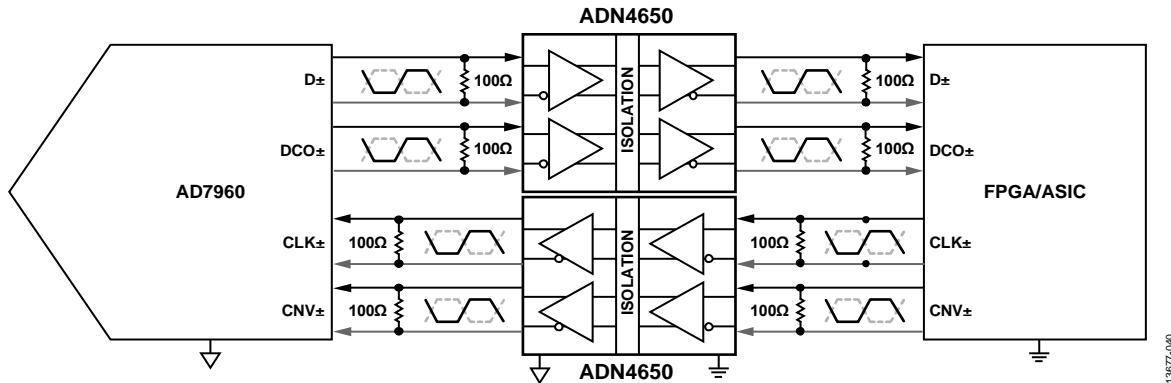


Figure 43. Example Isolated Analog Front-End Implementation (Isolated [AD7960](#) Using the [ADN4650](#))

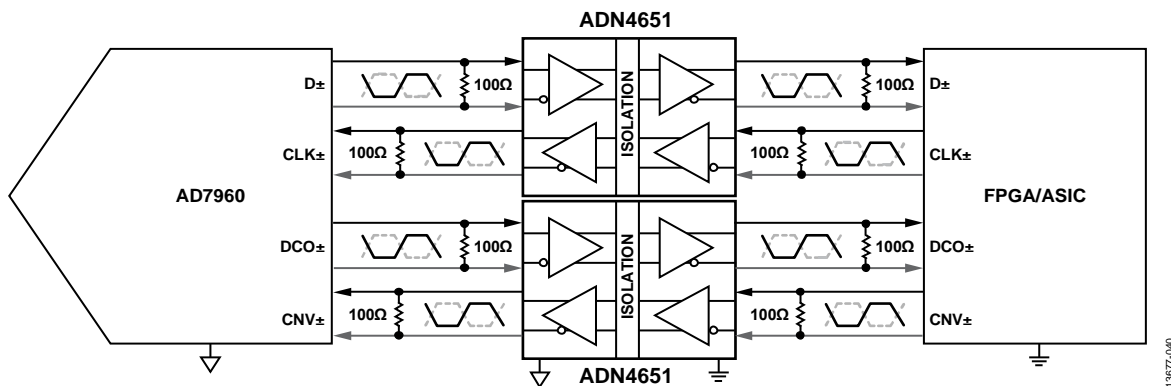


Figure 44. Example Isolated Analog Front-End Implementation (Isolated [AD7960](#) Using the [ADN4651](#))

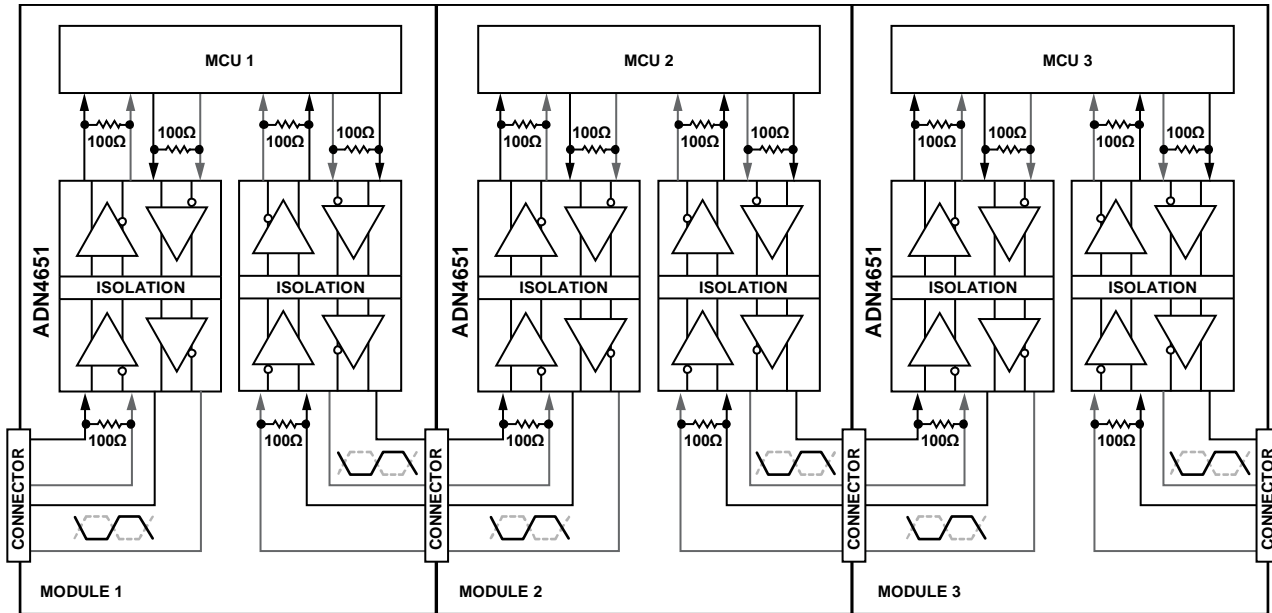


Figure 45. Example Isolated Backplane Implementation for PLCs and Input/Output Modules Using the [ADN4651](#)

13877-041

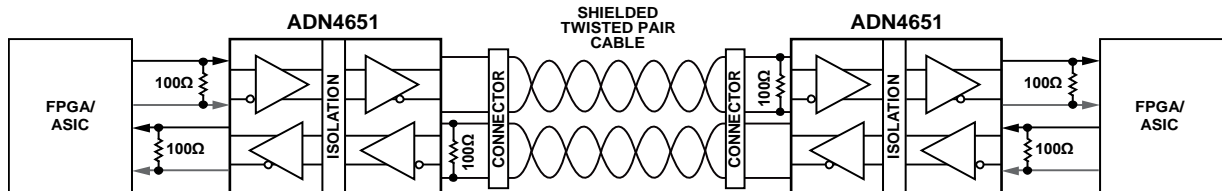
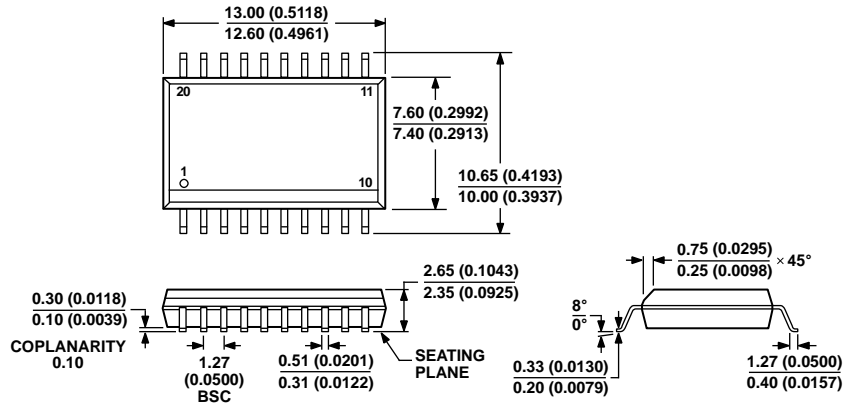


Figure 46. Example Isolated LVDS Cable Application Using the [ADN4651](#)

13877-042

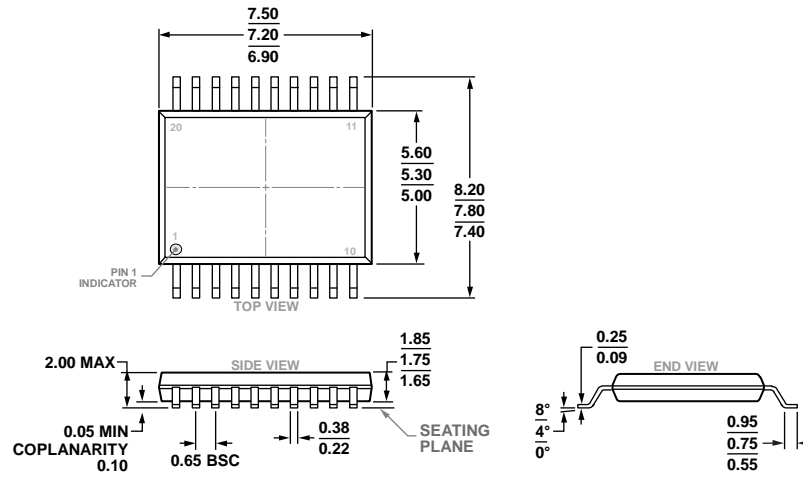
OUTLINE DIMENSIONS



COMPLIANT TO JEDEC STANDARDS MS-013-AC  
 CONTROLLING DIMENSIONS ARE IN MILLIMETERS; INCH DIMENSIONS  
 (IN PARENTHESES) ARE ROUNDED-OFF MILLIMETER EQUIVALENTS FOR  
 REFERENCE ONLY AND ARE NOT APPROPRIATE FOR USE IN DESIGN.

Figure 47. 20-Lead Standard Small Outline Package [SOIC\_W]  
 Wide Body  
 (RW-20)  
 Dimensions shown in millimeters and (inches)

06-07-2006-A



COMPLIANT TO JEDEC STANDARDS MO-150-AE

Figure 48. 20-Lead Shrink Small Outline Package [SSOP]  
 (RS-20)  
 Dimensions shown in millimeters

06-01-2006-A

ORDERING GUIDE

| Model <sup>1</sup> | Temperature Range | Package Description   | Package Option |
|--------------------|-------------------|---|----------------|
| ADN4650BRWZ        | -40°C to +125°C   | 20-Lead, Wide Body, Standard Small Outline Package [SOIC_W] | RW-20          |
| ADN4650BRWZ-RL7    | -40°C to +125°C   | 20-Lead, Wide Body, Standard Small Outline Package [SOIC_W] | RW-20          |
| ADN4650BRSZ        | -40°C to +125°C   | 20-Lead Shrink Small Outline Package [SSOP]                 | RS-20          |
| ADN4650BRSZ-RL7    | -40°C to +125°C   | 20-Lead Shrink Small Outline Package [SSOP]                 | RS-20          |