

FEATURES

- Excellent null offset stability over temperature
- High vibration rejection over a wide frequency range
- 2000 g powered shock survivability
- SPI digital output with 16-bit data-word
- Low noise
- Continuous self-test
- Fail-safe functions
- Temperature sensor
- 3.3 V and 5 V operation
- −40°C to +105°C operation
- Small, low-profile industry standard SOIC package provides yaw rate (Z-axis) response
- Innovative ceramic vertical mount package (VMP) provides pitch and roll rate response
- Qualified for automotive applications

APPLICATIONS

- Electronic stability control
- High performance platform stabilization

GENERAL DESCRIPTION

The **ADXRS800** is an angular rate sensor (gyroscope) intended for automotive electronic stability control, vehicle rollover detection, and other high performance applications. An advanced, differential, quad-sensor design rejects the influence of linear acceleration, enabling the **ADXRS800** to operate in exceedingly harsh environments where shock and vibration are present.

The **ADXRS800** uses an internal, continuous self-test architecture. The integrity of the electromechanical system is checked by applying a high frequency electrostatic force to the sense structure to generate a rate signal that can be differentiated from the baseband rate data and internally analyzed.

The **ADXRS800** is capable of sensing an angular rate of up to $\pm 300^\circ/\text{sec}$. Angular rate data is presented as a 16-bit word, as part of a 32-bit SPI message.

The **ADXRS800** is available in a cavity plastic SOIC-16 and an SMT-compatible vertical mount package and is capable of operating across both a wide voltage range (3.3 V to 5 V) and temperature range (−40°C to +105°C).

FUNCTIONAL BLOCK DIAGRAM

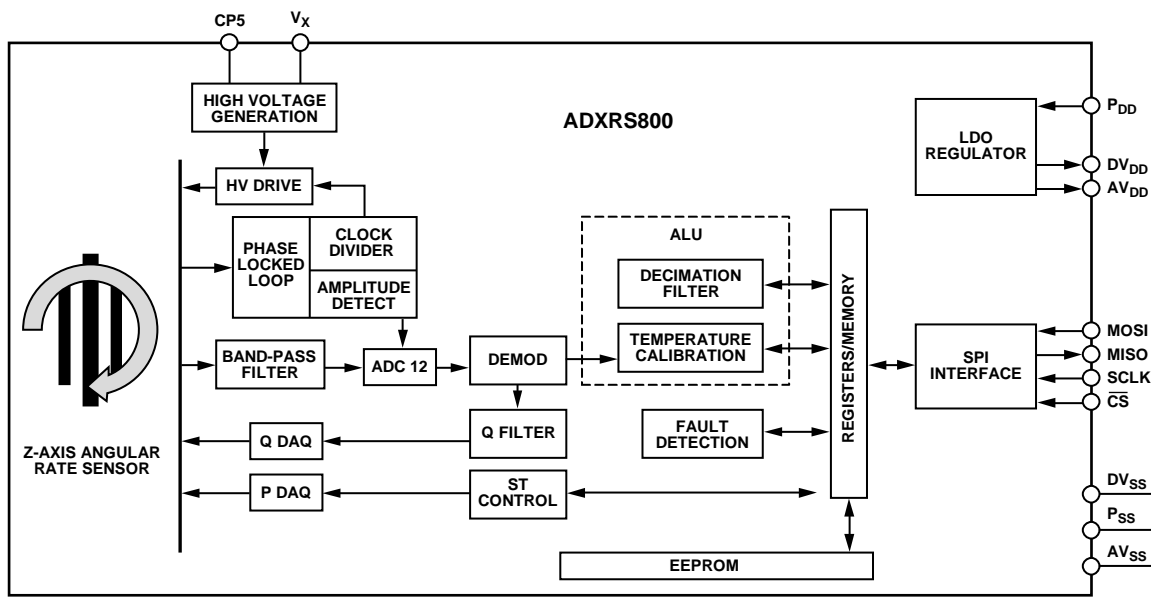


Figure 1.

For more information about the **ADXRS800**, contact the Analog Devices, Inc., Customer Interaction Center at http://www.analog.com/en/content/technical_support_page/fca.html to connect with a technical support specialist.

Rev. SpC

Document Feedback

Information furnished by Analog Devices is believed to be accurate and reliable. However, no responsibility is assumed by Analog Devices for its use, nor for any infringements of patents or other rights of third parties that may result from its use. Specifications subject to change without notice. No license is granted by implication or otherwise under any patent or patent rights of Analog Devices. Trademarks and registered trademarks are the property of their respective owners.

One Technology Way, P.O. Box 9106, Norwood, MA 02062-9106, U.S.A.
Tel: 781.329.4700 ©2011–2015 Analog Devices, Inc. All rights reserved.
Technical Support www.analog.com

NOTES