

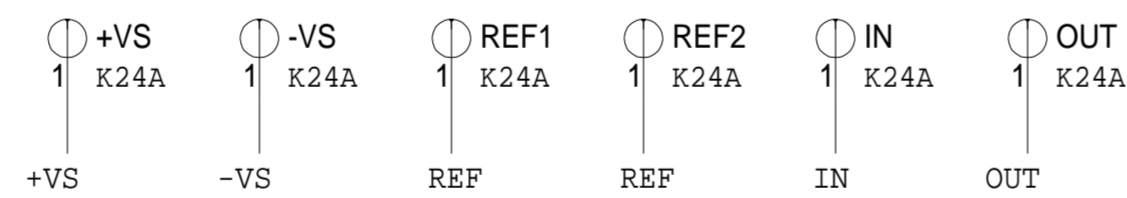
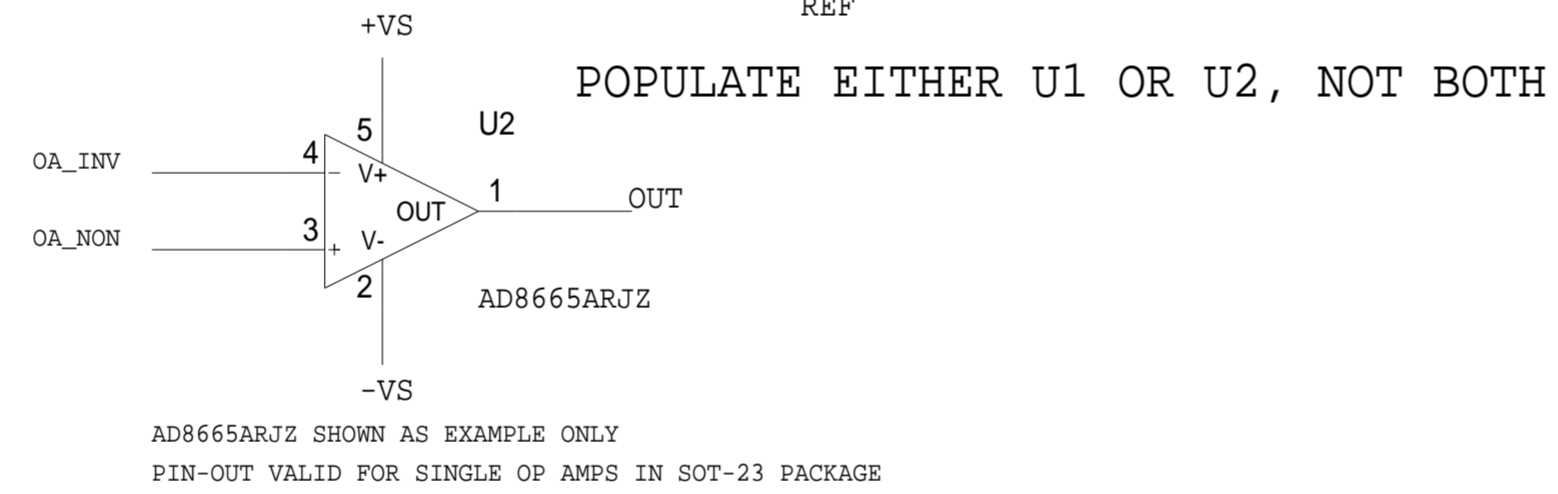
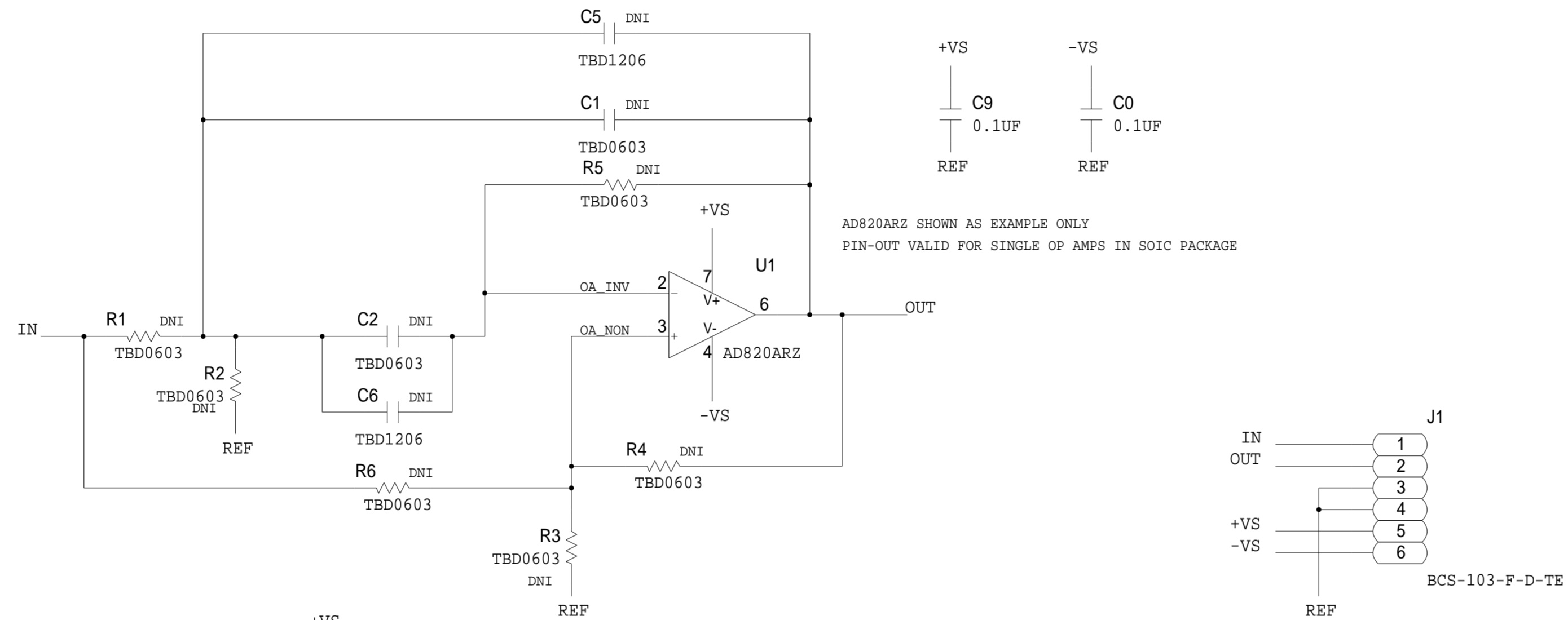
8	7	6	5	4	3	2	1																															
THIS DRAWING IS THE PROPERTY OF ANALOG DEVICES INC. IT IS NOT TO BE REPRODUCED OR COPIED, IN WHOLE OR IN PART, OR USED IN FURNISHING INFORMATION TO OTHERS, OR FOR ANY OTHER PURPOSE DETRIMENTAL TO THE INTERESTS OF ANALOG DEVICES. THE EQUIPMENT SHOWN HEREON MAY BE PROTECTED BY PATENTS OWNED OR CONTROLLED BY ANALOG DEVICES.			JUMPER TABLE		REVISIONS																																	
			<table border="1" style="width:100%; border-collapse: collapse;"> <tr> <th style="width:20%;">JP#</th> <th style="width:20%;">ON</th> <th style="width:20%;">OFF</th> </tr> <tr><td>1</td><td></td><td></td></tr> <tr><td>2</td><td></td><td></td></tr> <tr><td>3</td><td></td><td></td></tr> <tr><td>4</td><td></td><td></td></tr> <tr><td>5</td><td></td><td></td></tr> </table>	JP#	ON	OFF	1			2			3			4			5			<table border="1" style="width:100%; border-collapse: collapse;"> <tr> <th style="width:15%;">REV</th> <th style="width:55%;">DESCRIPTION</th> <th style="width:15%;">DATE</th> <th style="width:15%;">APPROVED</th> </tr> <tr> <td>A</td> <td>INITIAL RELEASE</td> <td>XX/XX</td> <td>X.X.</td> </tr> <tr> <td>B</td> <td>AS PER ECR#045386</td> <td>03MAR13</td> <td>A. MAHAFFEY</td> </tr> </table>		REV	DESCRIPTION	DATE	APPROVED	A	INITIAL RELEASE	XX/XX	X.X.	B	AS PER ECR#045386	03MAR13	A. MAHAFFEY			
JP#	ON	OFF																																				
1																																						
2																																						
3																																						
4																																						
5																																						
REV	DESCRIPTION	DATE	APPROVED																																			
A	INITIAL RELEASE	XX/XX	X.X.																																			
B	AS PER ECR#045386	03MAR13	A. MAHAFFEY																																			
RELAY CONTROL CHART			<div style="text-align:center; margin-bottom: 10px;">* SEE ASSEMBLY INSTRUCTIONS</div>																																			
CONTROL	CODE	DEVICE						FUNCTION	CONNECTOR																													
P.O SPEC.	BK/BD SPEC.	SOCKET OEM	OEM PART#	HANDLER																																		

TEMPLATE ENGINEER G. CELEDONIO DATE ----- HARDWARE SERVICES R. MACDONALD DATE ----- HARDWARE SYSTEMS J. KEANE DATE ----- TEST ENGINEER ----- DATE ----- COMPONENT ENGINEER G. CELEDONIO DATE ----- TEST PROCESS ----- DATE ----- HARDWARE RELEASE ----- DATE ----- DESIGNER LABRANCHE DATE ----- PTD ENGINEER M. DUFF DATE ----- CHECKER ----- DATE -----	SCHEMATIC	ANALOG DEVICES	EVAL BOARD MULTIPLE FB BAND-PASS SINGLE Z <PRODUCT_1> <DRAWING_TITLE1> <DRAWING_TITLE2> <DRAWING_TITLE3> <DRAWING_TITLE4> <DRAWING_TITLE5> MASTER PROJECT TEMPLATE <DRAWING_TITLE6>
TESTER TEMPLATE - UNLESS OTHERWISE SPECIFIED DIMENSIONS ARE IN INCHES TOLERANCES DECIMALS FRACTIONS ANGLES X.XX +-0.010 +-1/32 +-2 X.XXX +-0.005	DRAWING NO. 02-034900	REV. B	SIZE SCALE CODE ID NO. D <SCALE> - SHEET 1 OF 2

REVISIONS			
REV	DESCRIPTION	DATE	APPROVED

MULTIPLE FEEDBACK BANDPASS FILTER STAGE FOR SINGLE OP AMPS

TO ALLOW USE OF LARGER VALUE COG/NPO CAPACITORS,
BOARD INCLUDES 1206 PACKAGE OPTION



	SCHEMATIC		
	EVAL BOARD MULTIPLE FB BAND-PASS SINGLE Z <PRODUCT_1>		
	DESIGN VIEW <DESIGN_VIEW>	DRAWING NO. 02-034900	REV B
	PTD ENGINEER M DUFF	SIZE D	SCALE <SCALE>

SHEET 2 OF 2