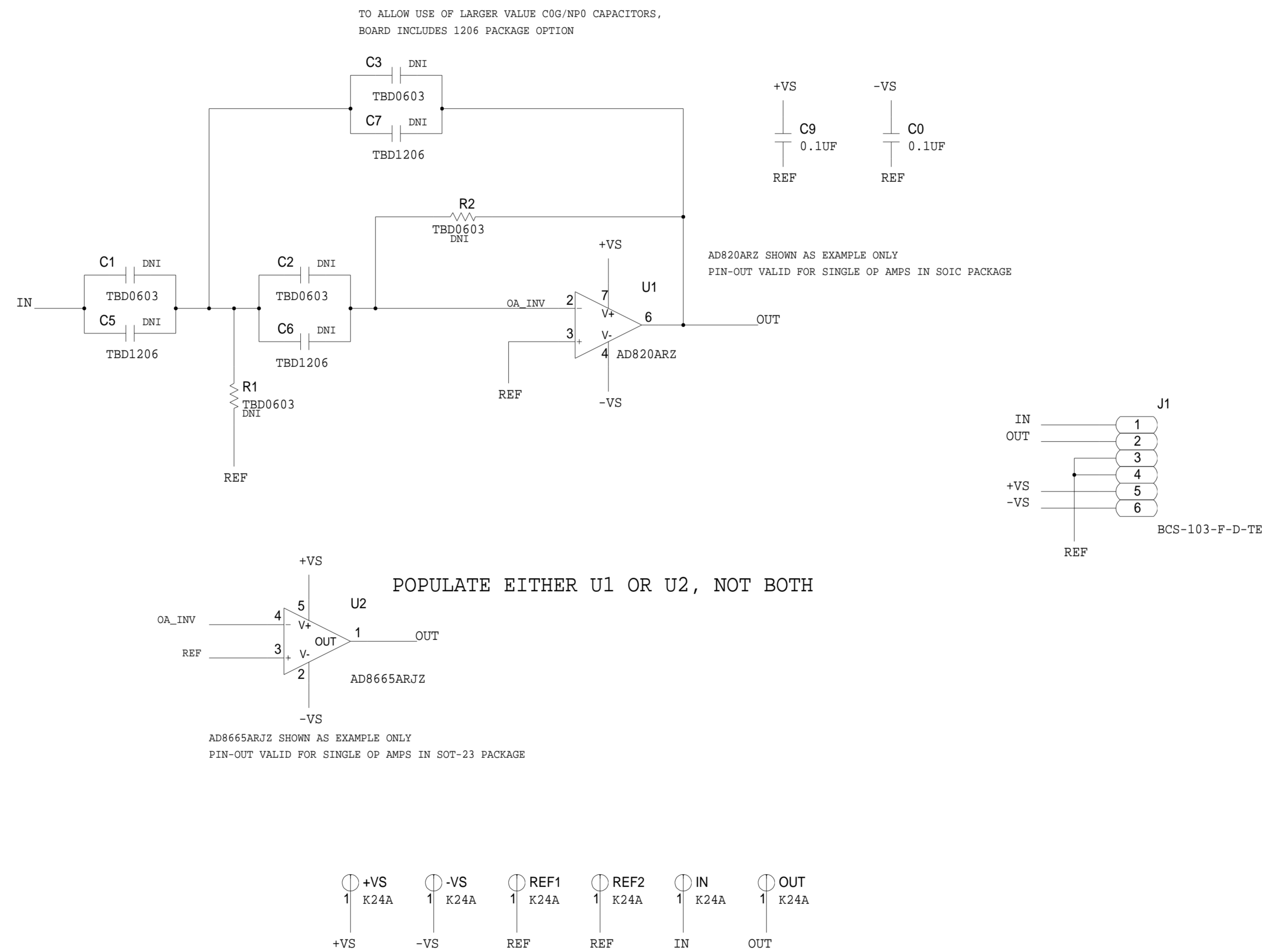




REVISIONS			
REV	DESCRIPTION	DATE	APPROVED

## MULTIPLE FEEDBACK HIGH PASS FILTER STAGE FOR SINGLE OP AMPS



	<b>SCHEMATIC</b>		
	HW TYPE : Customer Evaluation Z Product(s): AD820 : NA		
	DESIGN VIEW <DESIGN_VIEW>	DRAWING NO. 02_038307	REV A
PTD ENGINEER A. MAHAFFEY	SIZE D 1:1	SCALE 1:1	SHEET 2 OF 2