

THIS DRAWING IS THE PROPERTY OF ANALOG DEVICES INC. IT IS NOT TO BE REPRODUCED OR COPIED, IN WHOLE OR IN PART, OR USED IN FURNISHING INFORMATION TO OTHERS, OR FOR ANY OTHER PURPOSE DETRIMENTAL TO THE INTERESTS OF ANALOG DEVICES. THE EQUIPMENT SHOWN HEREON MAY BE PROTECTED BY PATENTS OWNED OR CONTROLLED BY ANALOG DEVICES.

| JUMPER TABLE |    |     |
|--------------|----|-----|
| JP#          | ON | OFF |
| 1            |    |     |
| 2            |    |     |
| 3            |    |     |
| 4            |    |     |
| 5            |    |     |

| REVISIONS |                 |         |             |
|-----------|-----------------|---------|-------------|
| REV       | DESCRIPTION     | DATE    | APPROVED    |
| A         | INITIAL RELEASE | 12MAR14 | A. MAHAFFEY |

RELAY CONTROL CHART

| CONTROL | CODE | DEVICE | FUNCTION | CONNECTOR |
|---------|------|--------|----------|-----------|
|         |      |        |          |           |
|         |      |        |          |           |
|         |      |        |          |           |
|         |      |        |          |           |
|         |      |        |          |           |
|         |      |        |          |           |
|         |      |        |          |           |
|         |      |        |          |           |
|         |      |        |          |           |
|         |      |        |          |           |
|         |      |        |          |           |
|         |      |        |          |           |
|         |      |        |          |           |
|         |      |        |          |           |
|         |      |        |          |           |
|         |      |        |          |           |
|         |      |        |          |           |
|         |      |        |          |           |

\* SEE ASSEMBLY INSTRUCTIONS

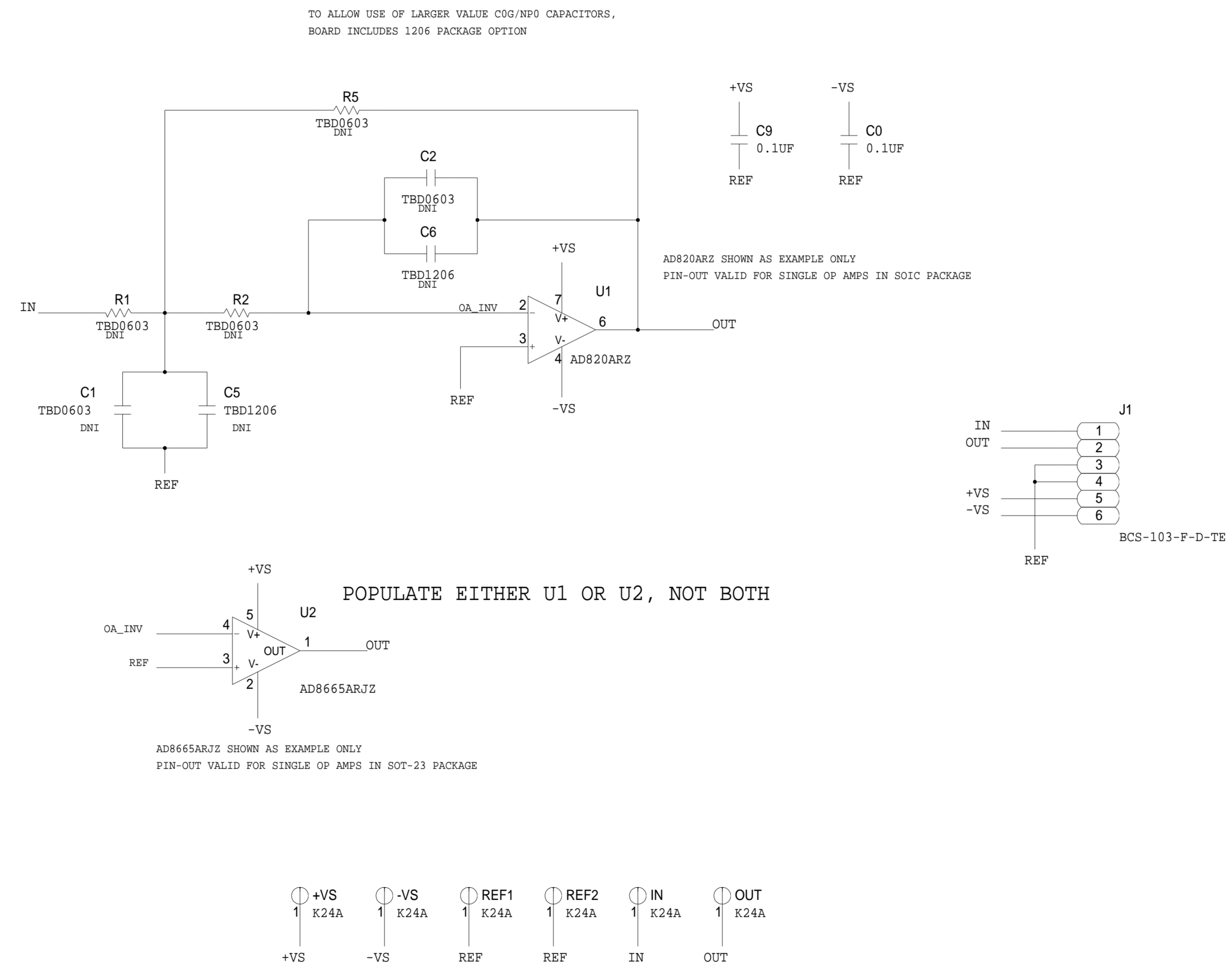
|  |  |  |  |  |
|--|--|--|--|--|
|  |  |  |  |  |
|  |  |  |  |  |
|  |  |  |  |  |
|  |  |  |  |  |
|  |  |  |  |  |
|  |  |  |  |  |
|  |  |  |  |  |
|  |  |  |  |  |
|  |  |  |  |  |
|  |  |  |  |  |
|  |  |  |  |  |
|  |  |  |  |  |
|  |  |  |  |  |
|  |  |  |  |  |
|  |  |  |  |  |
|  |  |  |  |  |
|  |  |  |  |  |
|  |  |  |  |  |
|  |  |  |  |  |
|  |  |  |  |  |
|  |  |  |  |  |

| P.O SPEC. | BK/BD SPEC. | SOCKET OEM | OEM PART# | HANDLER |
|-----------|-------------|------------|-----------|---------|
|           |             |            |           |         |

|   |  |  |              |
|---|--|--|--------------|
| TEMPLATE ENGINEER<br>G. CELEDONIO<br>DATE<br>12MAR14<br>HARDWARE SERVICES<br>R. MACDONALD<br>DATE<br>12MAR14<br>HARDWARE SYSTEMS<br>J. KEANE<br>DATE<br>12MAR14<br>TEST ENGINEER<br>-----<br>DATE<br>-----<br>COMPONENT ENGINEER<br>G. CELEDONIO<br>DATE<br>12MAR14<br>TEST PROCESS<br>-----<br>DATE<br>-----<br>HARDWARE RELEASE<br>-----<br>DATE<br>-----<br>DESIGNER<br>J. ONDAP<br>DATE<br>12MAR14<br>PTD ENGINEER<br>A. MAHAFFEY<br>DATE<br>12MAR14<br>CHECKER<br>-----<br>DATE<br>----- | MASTER PROJECT TEMPLATE<br>TBD<br>TESTER TEMPLATE<br>no_template<br>DRAWING NO.<br>02_038253<br>REV.<br>A<br>UNLESS OTHERWISE SPECIFIED DIMENSIONS ARE IN INCHES<br>TOLERANCES<br>DECIMALS X.XX +-0.010      FRACTIONS +-1/32      ANGLES +-2<br>X.XXX +-0.005 | <h2 style="margin: 0;">SCHEMATIC</h2> <p style="font-size: small; margin: 0;">           HW TYPE : Customer Evaluation Z<br/>           Product(s): AD820<br/>                         : NA<br/>           PACKAGE : PinCount-lead N/A Package-family<br/>                         : Pitch-pitch StyleVendor Style<br/>           &lt;User Define&gt;<br/>           &lt;User Define&gt;<br/>           &lt;User Define&gt;         </p> |              |
| SIZE<br><b>D</b>  | SCALE<br>1:1   | CODE ID NO.<br>CodeID  | SHEET 1 OF 2 |

| REVISIONS |             |      |          |
|-----------|-------------|------|----------|
| REV       | DESCRIPTION | DATE | APPROVED |
|           |             |      |          |

## MULTIPLE FEEDBACK LOW PASS FILTER STAGE FOR SINGLE OP AMPS



|                              |  |              |              |
|------------------------------|--|--------------|--------------|
|                              | <b>SCHEMATIC</b>   |              |              |
|                              | HW TYPE : Customer Evaluation Z<br>Product(s): AD820<br>: NA |              |              |
| DESIGN VIEW<br><DESIGN_VIEW> | DRAWING NO.<br>02_038253                                     | REV<br>A     |              |
| PTD ENGINEER<br>A. MAHAFFEY  | SIZE<br>D  | SCALE<br>1:1 | SHEET 2 OF 2 |