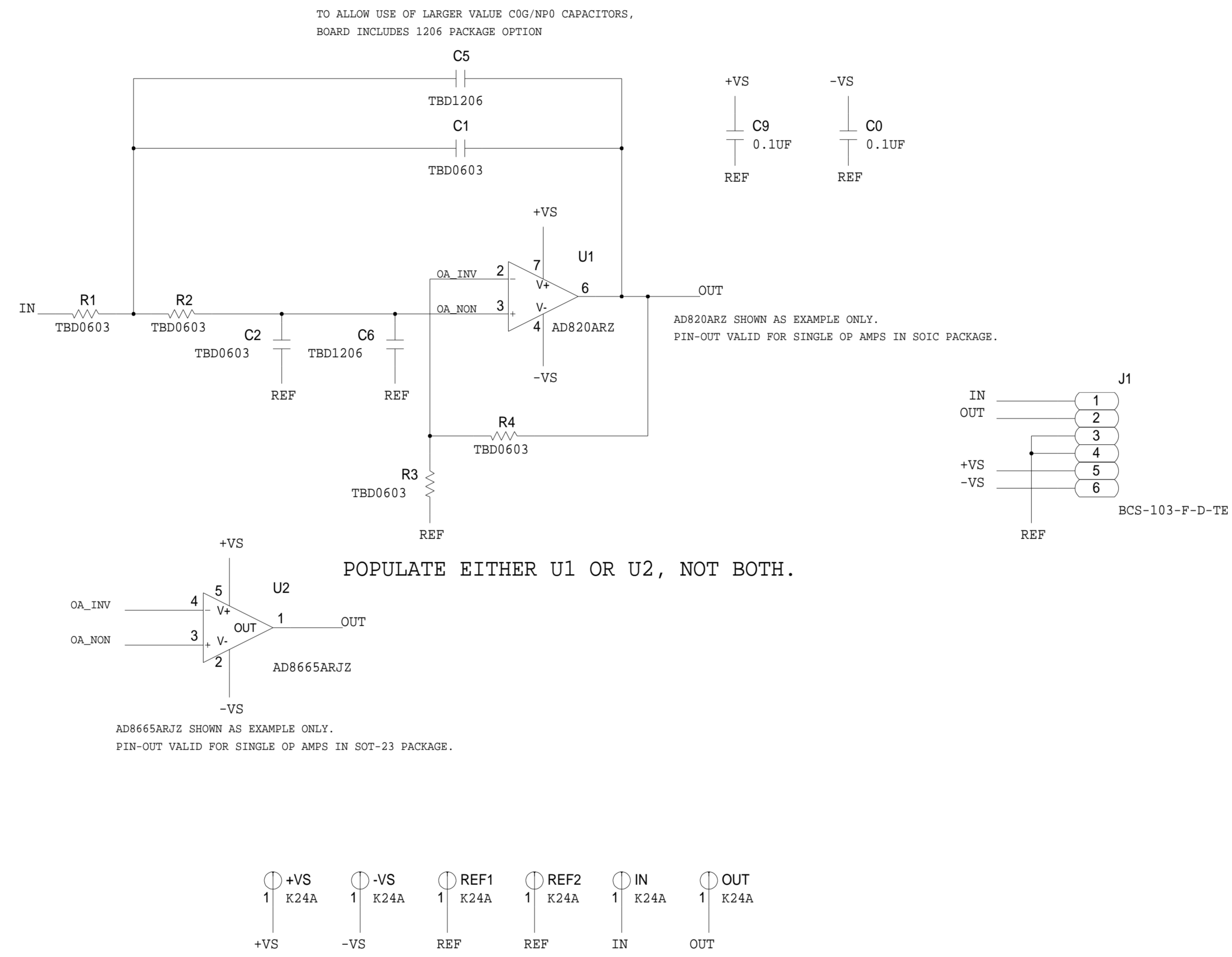


REVISIONS			
REV	DESCRIPTION	DATE	APPROVED

SALLEN KEY LOW PASS FILTER STAGE FOR SINGLE OP AMPS

CAN ALSO BE USED TO CREATE FIRST ORDER LOW PASS STAGE



	SCHEMATIC		
	EVAL BOARD SALLEN KEY LOW PASS SINGLE <PRODUCT_1>		
	DESIGN VIEW <DESIGN_VIEW>	DRAWING NO. 02-034896	REV A
PTD ENGINEER <PTD_ENGINEER>	SIZE D	SCALE <SCALE>	SHEET 2 OF 2