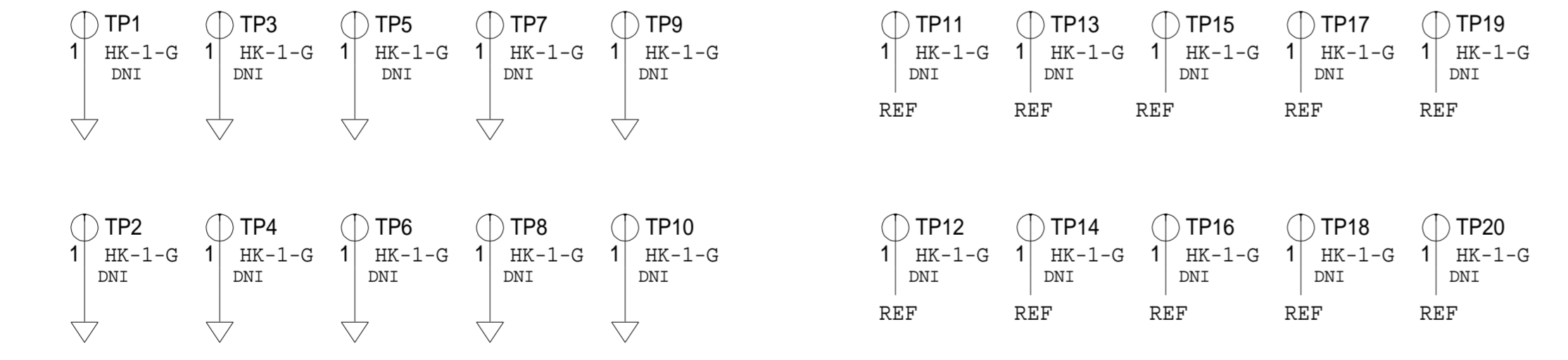
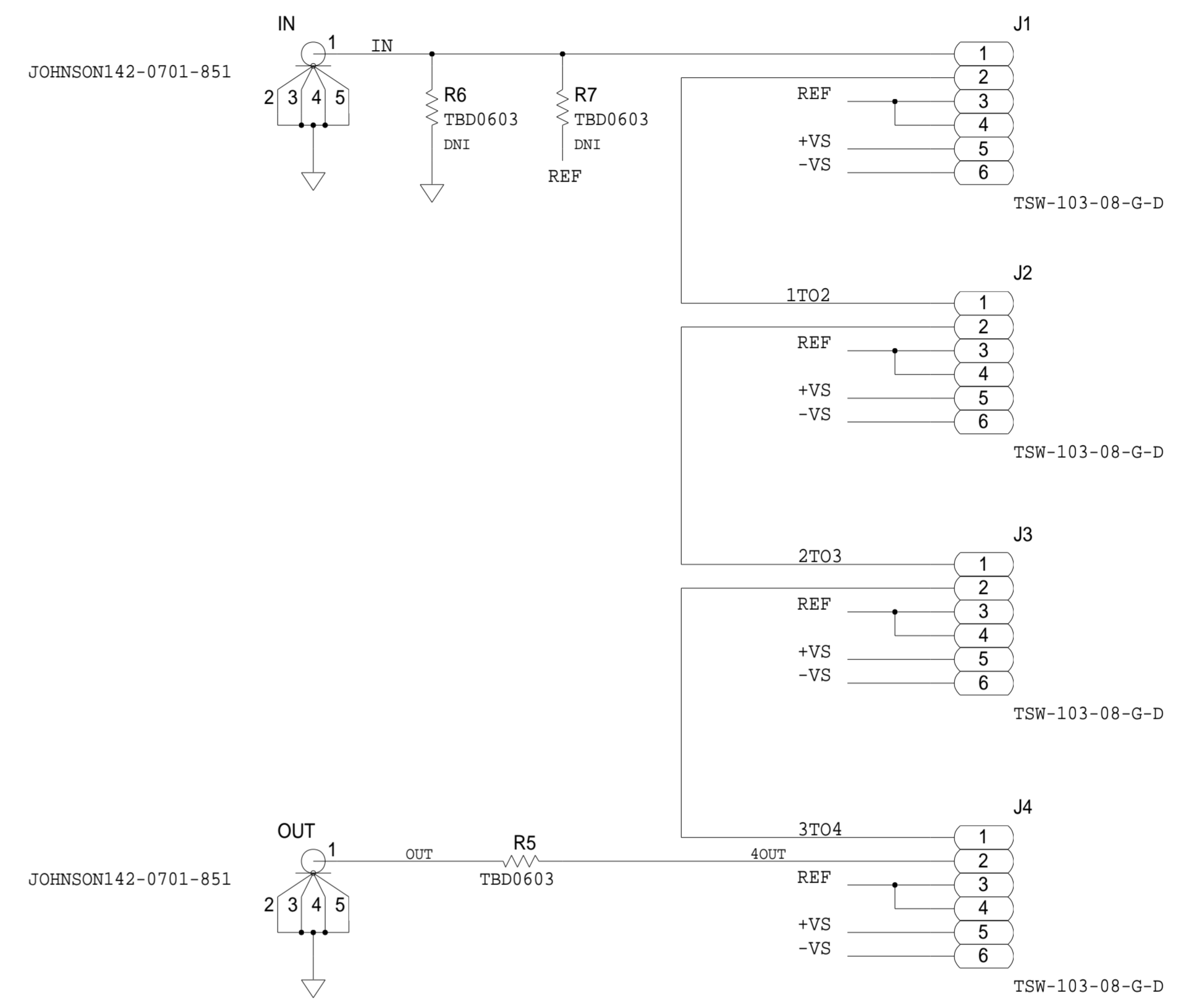
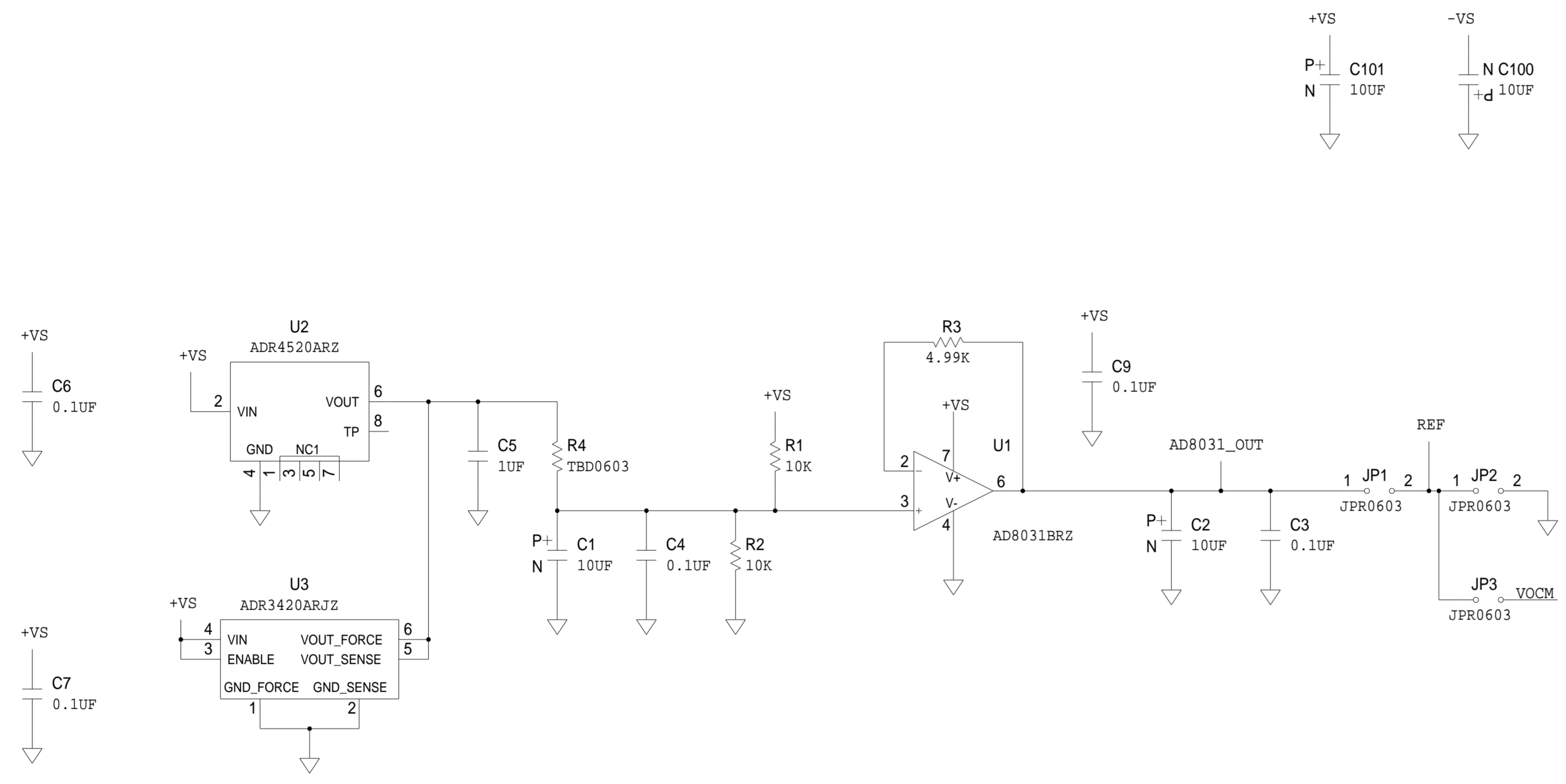
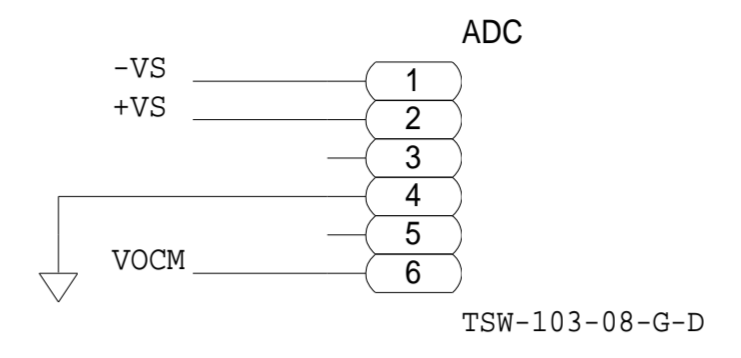
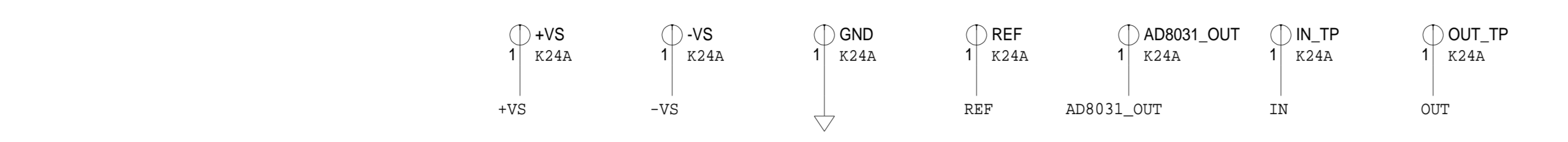


REVISIONS			
REV	DESCRIPTION	DATE	APPROVED



	SCHMATIC		
	EVAL BOARD BASE BOARD <PRODUCT_1>		
	DESIGN VIEW <DESIGN_VIEW>	DRAWING NO. 02-034674	REV A
	PTD ENGINEER <PTD_ENGINEER>	SIZE D	SCALE <SCALE>

SHEET 2 OF 2