

## 650V CoolSET™

### Product Highlights

#### 650V Fixed Frequency CoolSET™

- 650V avalanche rugged CoolMOS™ with startup cell
- Active Burst Mode to reach the lowest Standby Power Requirements <50mW
- Auto Restart protection for overload, overtemperature, overvoltage
- External auto-restart enable function
- Built-in soft start and blanking window
- Extendable blanking Window for high load jumps
- Built-in frequency jitter and soft driving for low EMI
- Green Mould Compound
- Pb-free lead plating
- RoHS compliant

Product	Frequency <sub>(sw)</sub> [kHz]	V <sub>DS(breakdown)</sub> [V]	R <sub>DS(on)</sub> [Ω]	Power <sub>(Universal)</sub> [W]	Package
ICE3BR4765J	65	650	4.7	18	DIP-8
ICE3BR1765J	65	650	1.7	31	DIP-8
ICE3BR0665J	65	650	0.6	49	DIP-8
ICE3BR4765JZ	65	650	4.7	18	DIP-7
ICE3BR1765JZ	65	650	1.7	30	DIP-7
ICE3BR0665JZ	65	650	0.6	47	DIP-7
ICE3BR4765JG	65	650	4.7	17	DSO-12
ICE3A1065ELJ	100	650	3.0	16	DIP-8
ICE3A2065ELJ	100	650	1.0	28	DIP-8
ICE2QR4765	–	650	4.7	19	DIP-8
ICE2QR1765	–	650	1.7	33	DIP-8
ICE2QR0665	–	650	0.6	50	DIP-8

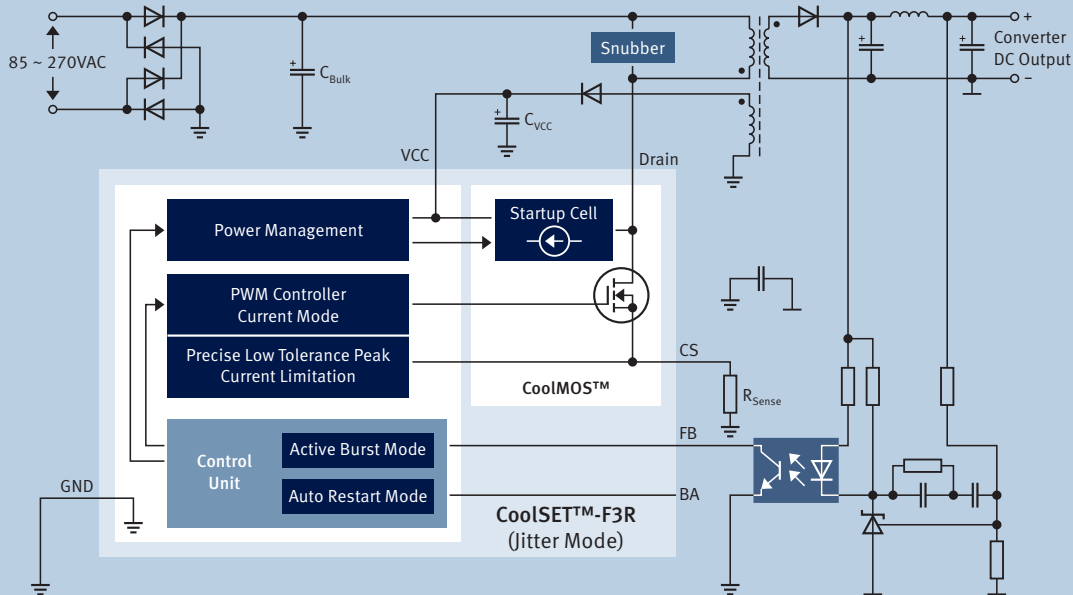
### Product Highlights

#### 650V Quasi-resonant CoolSET™

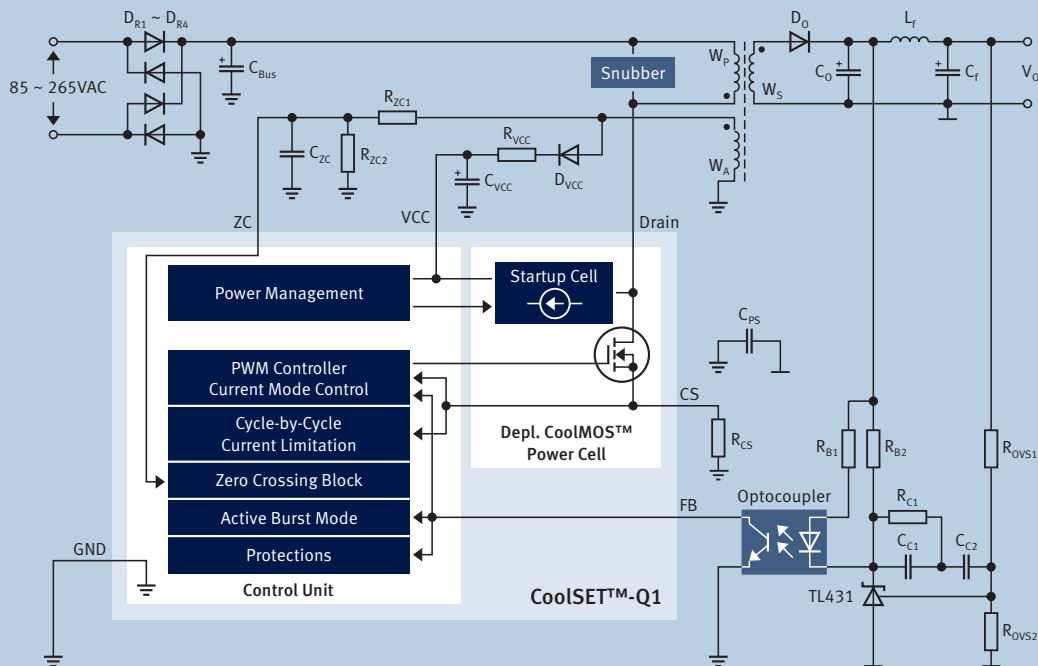
- 650V avalanche rugged CoolMOS™ with built-in startup cell
- Quasiresonant operation till very low load
- Active burst mode operation for low standby input power <0.1W
- Digital frequency reduction with decreasing load for reduced switching loss
- Built-in digital soft-start
- Foldback point correction and cycle-by-cycle peak current limitation
- Maximum on time limitation
- Auto restart mode for VCC Overvoltage and Undervoltage protections
- Auto restart mode for overload protection
- Auto restart mode for overtemperature protection
- Latch-off mode for adjustable output overvoltage protection and transformer short-winding protection

# 650V CoolSET™

Application Diagram – 650V Fixed Frequency CoolSET™



Application Diagram – 650V Quasi-resonant CoolSET™



Published by  
Infineon Technologies AG  
85579 Neuburg, Germany

© 2010 Infineon Technologies AG.  
All Rights Reserved.

Visit us:  
[www.infineon.com](http://www.infineon.com)

Order Number: B121-H9545-X-X-7600  
Date: 12 / 2010

**ATTENTION PLEASE!**

The information given in this document shall in no event be regarded as a guarantee of conditions or characteristics ("Beschaffenheitsgarantie"). With respect to any examples or hints given herein, any typical values stated herein and/or any information regarding the application of the device, Infineon Technologies hereby disclaims any and all warranties and liabilities of any kind, including without limitation warranties of non-infringement of intellectual property rights of any third party.

**INFORMATION**

For further information on technology, delivery terms and conditions and prices please contact your nearest Infineon Technologies Office ([www.infineon.com](http://www.infineon.com)).

**WARNINGS**

Due to technical requirements components may contain dangerous substances. For information on the types in question please contact your nearest Infineon Technologies Office. Infineon Technologies Components may only be used in life-support devices or systems with the express written approval of Infineon Technologies, if a failure of such components can reasonably be expected to cause the failure of that life-support device or system, or to affect the safety or effectiveness of that device or system. Life support devices or systems are intended to be implanted in the human body, or to support and/or maintain and sustain and/or protect human life. If they fail, it is reasonable to assume that the health of the user or other persons may be endangered.