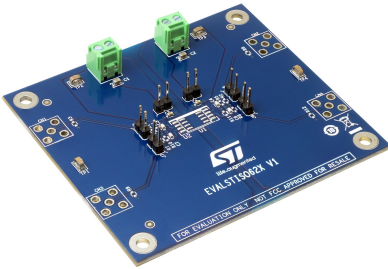

Dual channel digital isolator evaluation board



Features

- Dual channel digital isolator
- Supply voltage up to 5 V
- SO8 and SO8 wide package
- 6k V galvanic isolation technology⁽¹⁾

1. Details about isolation parameters are available in the specific part number's datasheet

Description

The EVALSTISO62XV1 allows a complete evaluation of the dual channel digital isolators of the STISO family.

Based on ST's thick oxide galvanic isolation technology, the STISO digital isolators feature high speed communication and reduced high speed distortion.

Product status link

EVALSTISO62XV1

1 Schematic diagram and bill of materials

Figure 1. Schematic diagram

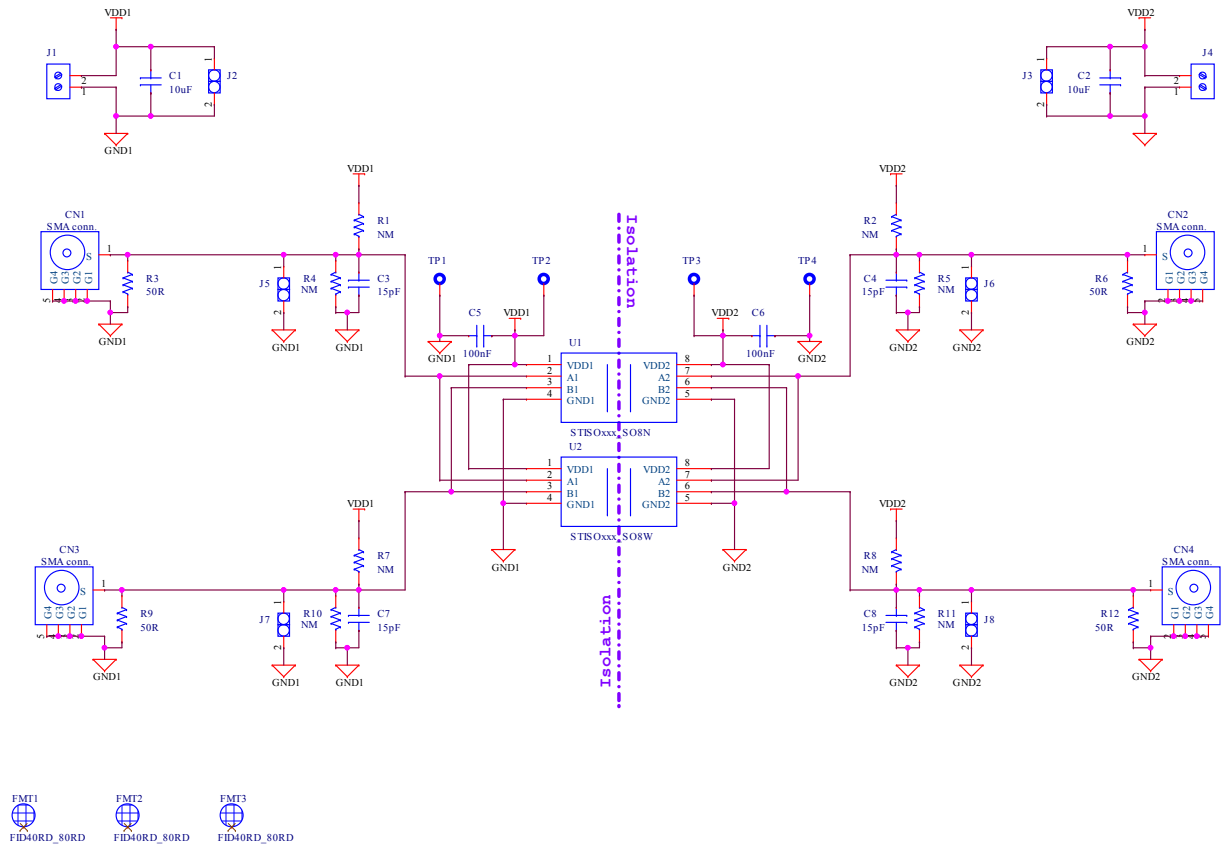


Table 1. Bill of materials

| Item | Quantity | Reference | Description | Part / Value | Voltage | Power | Tolerance | Package | Manufacturer's Order Code / Orderable Part Number | Manufacturer | Additional Notes |
|------|----------|-----------------------------|---|---------------------|---------|-------|-----------|----------------|---|--------------------|------------------|
| 1 | 4 | CN1,CN2, CN3,CN4 | SMA PCB THT Straight 50 ohm connector | SMA conn. | | | | | 60312002114503 or equivalent | Würth Elektronik | Not mounted |
| 2 | 2 | C1,C2 | SMT ceramic capacitor | 10uF | 6V3 | | | Size 0805 | | | |
| 3 | 4 | C3,C4,C7, C8 | SMT ceramic capacitor | 15pF | 6V3 | | | Size 0603 | | | |
| 4 | 2 | C5,C6 | SMT ceramic capacitor | 100nF | 6V3 | | | Size 0603 | | | |
| 5 | 2 | J1,J4 | Terminal block T.H. 2 positions, 3.5 mm | MORSV-350-2P_s crew | | | | Pitch 3,5 mm | 691214110002 or equivalent | Würth Elektronik | |
| 6 | 6 | J2,J3,J5, J6,J7,J8 | Strip connector 2 pos, 2.54 mm | STRIP 2poli | | | | 1x2 pins | 61300211121 or equivalent | Würth Elektronik | |
| 7 | 8 | R1,R2,R4, R5,R7, R8,R10,R11 | SMT resistor | NM | | 0.1 W | | Size 0603 | Not mounted | | Not mounted |
| 8 | 4 | R3,R6,R9, R12 | SMT resistor | 50R | | 0.1 W | | Size 0603 | | | Not mounted |
| 9 | 4 | TP1,TP2,TP3,TP4 | 65x128 mils SMD hardware test points | TP-SMD-S1751-46R | | | | SMD 65x128 pad | S1751-46R or equivalent | HARWIN | |
| 10 | 1 | U1 | Dual channel digital isolator | STISOxxx_SO8N | | | | | | STMicroelectronics | Not mounted |
| 11 | 1 | U2 | Dual channel digital isolator | STISOxxx_SO8W | | | | | | STMicroelectronics | Not mounted |

Revision history

Table 2. Document revision history

| Date | Version | Changes |
|-------------|---------|------------------|
| 26-Nov-2020 | 1 | Initial release. |

Contents

| | |
|---|----------|
| 1 Schematic diagram and bill of materials..... | 2 |
| Revision history | 4 |
| Contents | 5 |