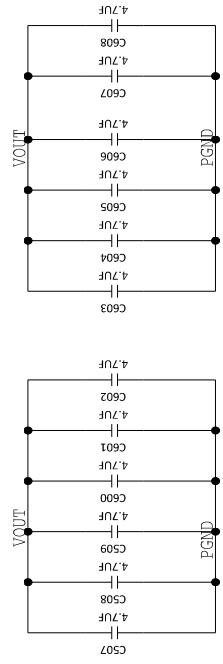
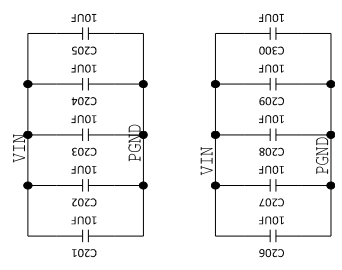
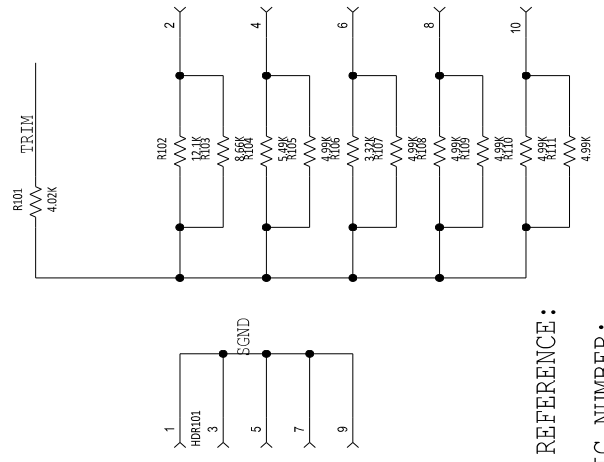


JUMPER FOR EXTERNAL TRIM CIRCUIT



TITLE:	
SUBTITLE:	
PROJECT:	TYPE:
ISS:	
SHEET: OF:	REV:
LAST WRITTEN: Wed Nov 01 14:27:00F2017	

PROJECT REFERENCE:  
 SCHEMATIC NUMBER:  
 SCHEMATIC REVISION:  
 SCHEMATIC DRAWN BY: 300011545

**GE-ENERGY**  
 PROPRIETARY