

PicoDlynxII™ Series Evaluation Board Documentation

The PicoDlynxII™ series evaluation board (PJT020/014/007/004) comes with an assembled module and test components. The specific combination of module and the board can be ordered through your sales representative

1. Schematics

Component values are for reference only; refer to the data sheet for appropriate values and pictures in this document for preinstalled component

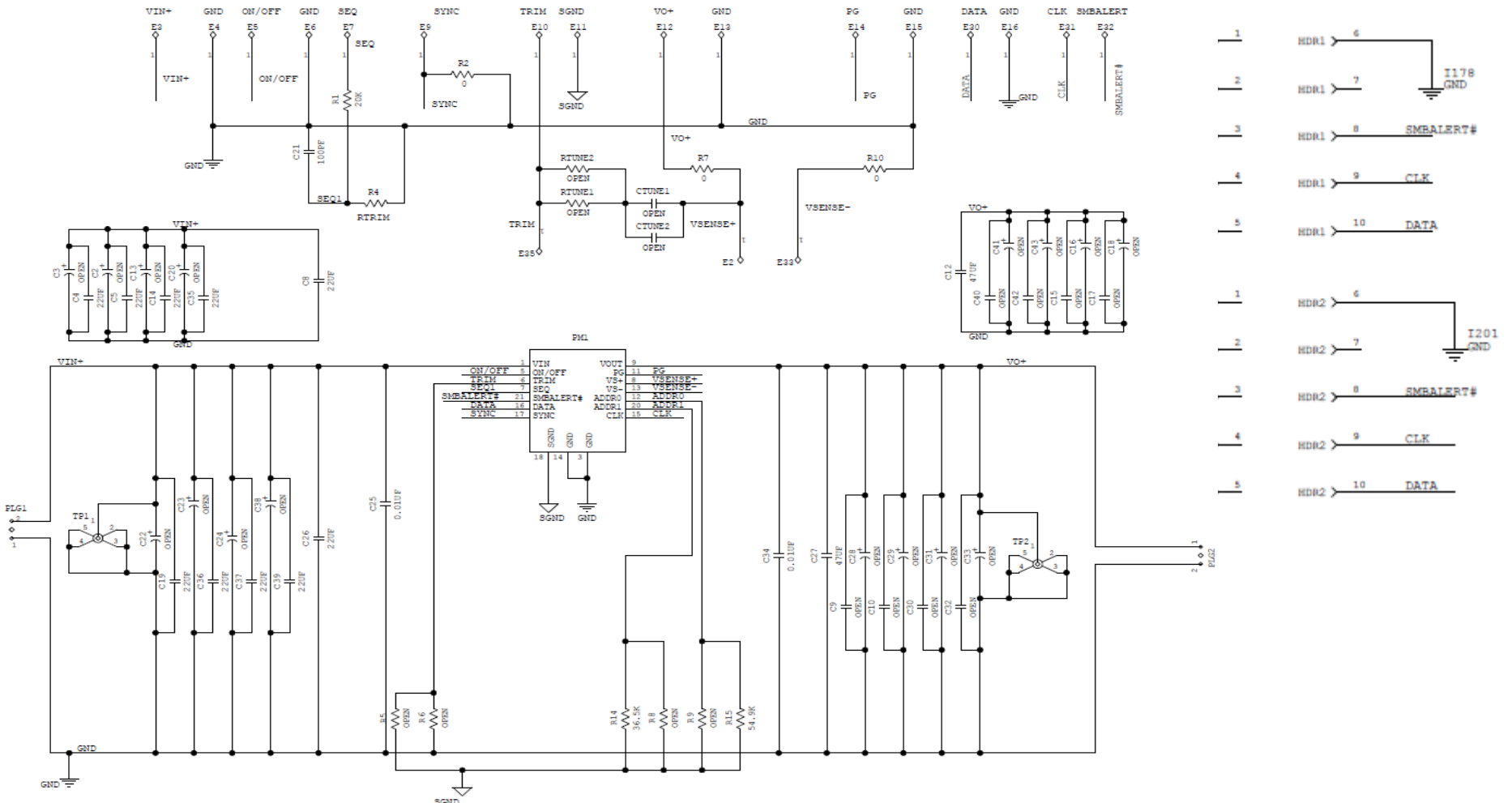


Figure 1 - Schematic of the PicoDlynx™ single footprint evaluation board.

Component values are for reference only; refer to the data sheet for appropriate values and pictures in this document for preinstalled components

2. Physical Description

An annotated photograph of the PicoDlynxII™, single footprint evaluation board is shown below. The arrows indicate locations of various components. Pre-Installed components for the PicoDlynx™ - Trim resistor R6, input filtering [(0.047uF,16V), (0.1uF, 16V), (2x22uF,16V),(470uF,16V)], Output filtering [(0.047uF,16V), (0.1uF, 16V), (2x22uF,16V)], R_{SENSE} resistors, R7 & R10 = 0 Ohms, R₆=20K and some test points.

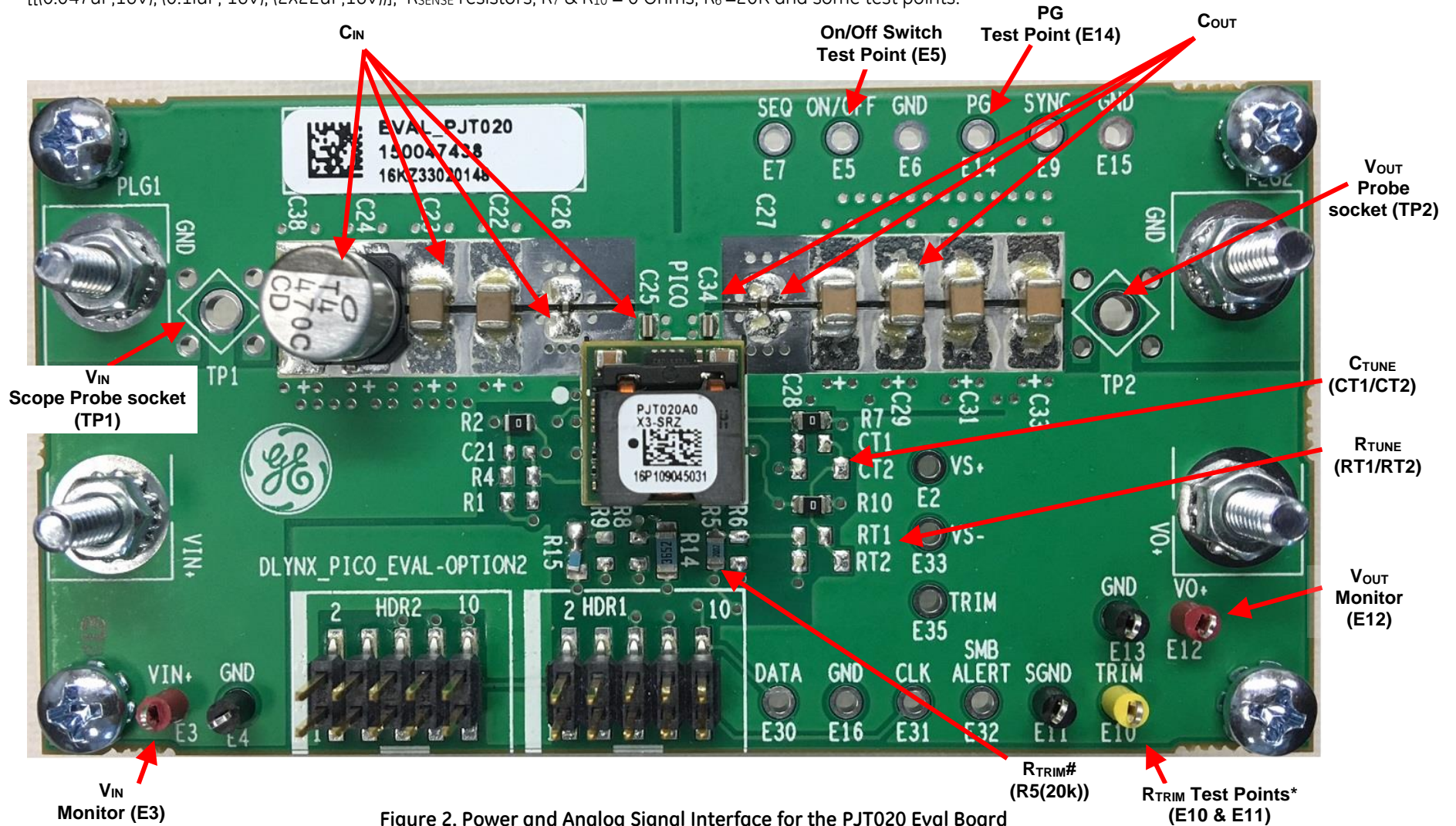


Figure 2. Power and Analog Signal Interface for the PJT020 Eval Board

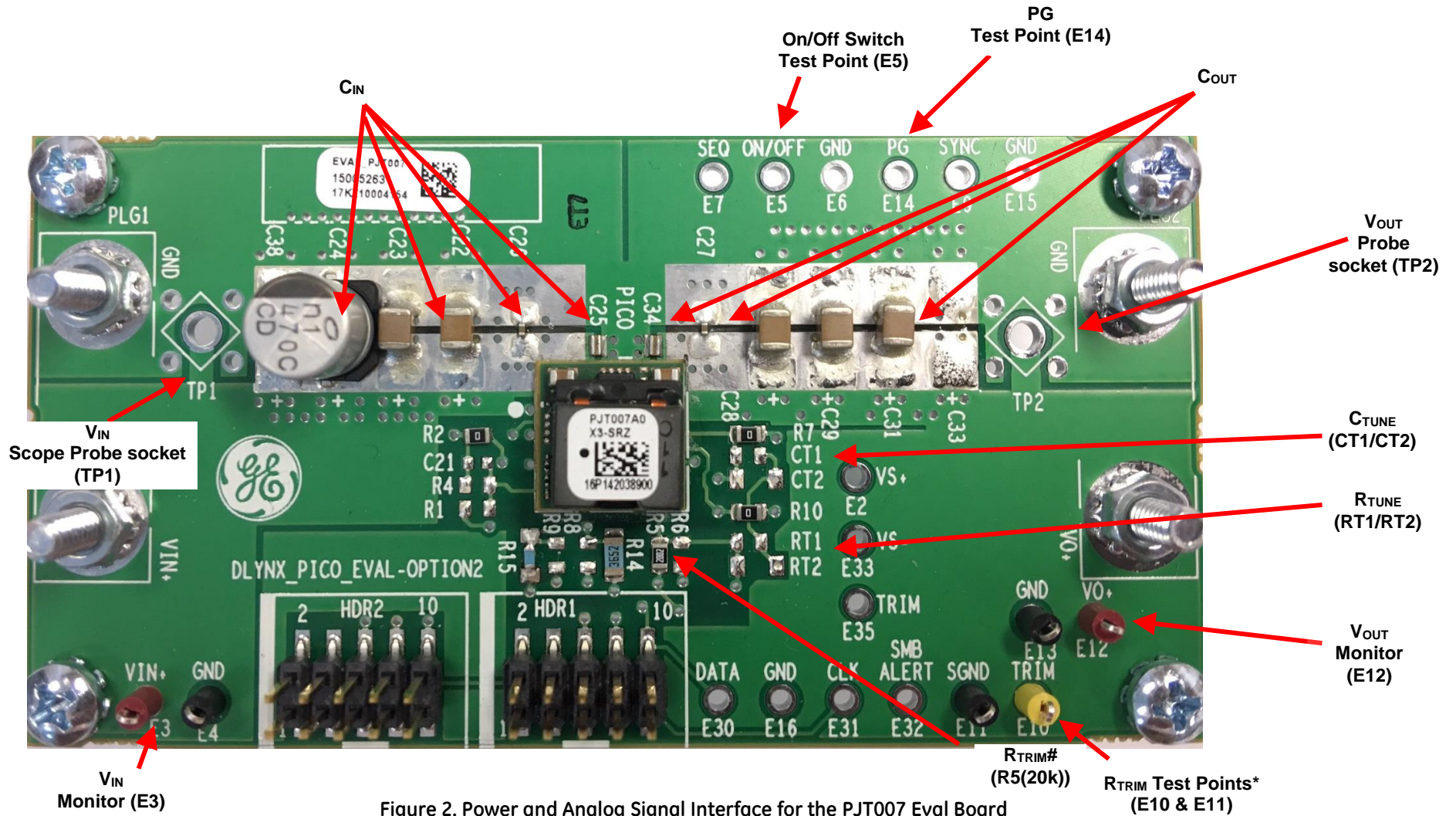


Figure 2. Power and Analog Signal Interface for the PJT007 Eval Board

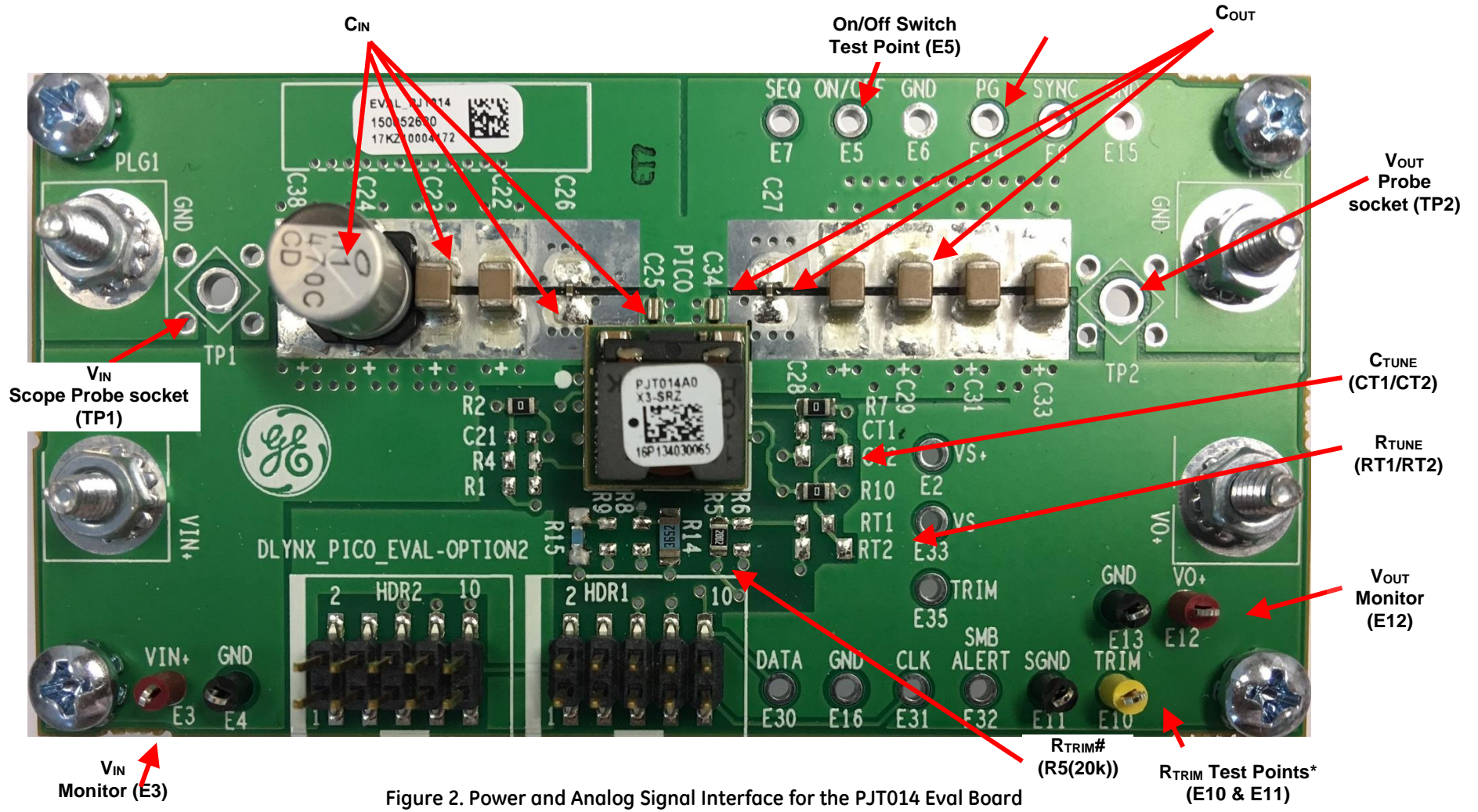


Figure 2. Power and Analog Signal Interface for the PJT014 Eval Board