

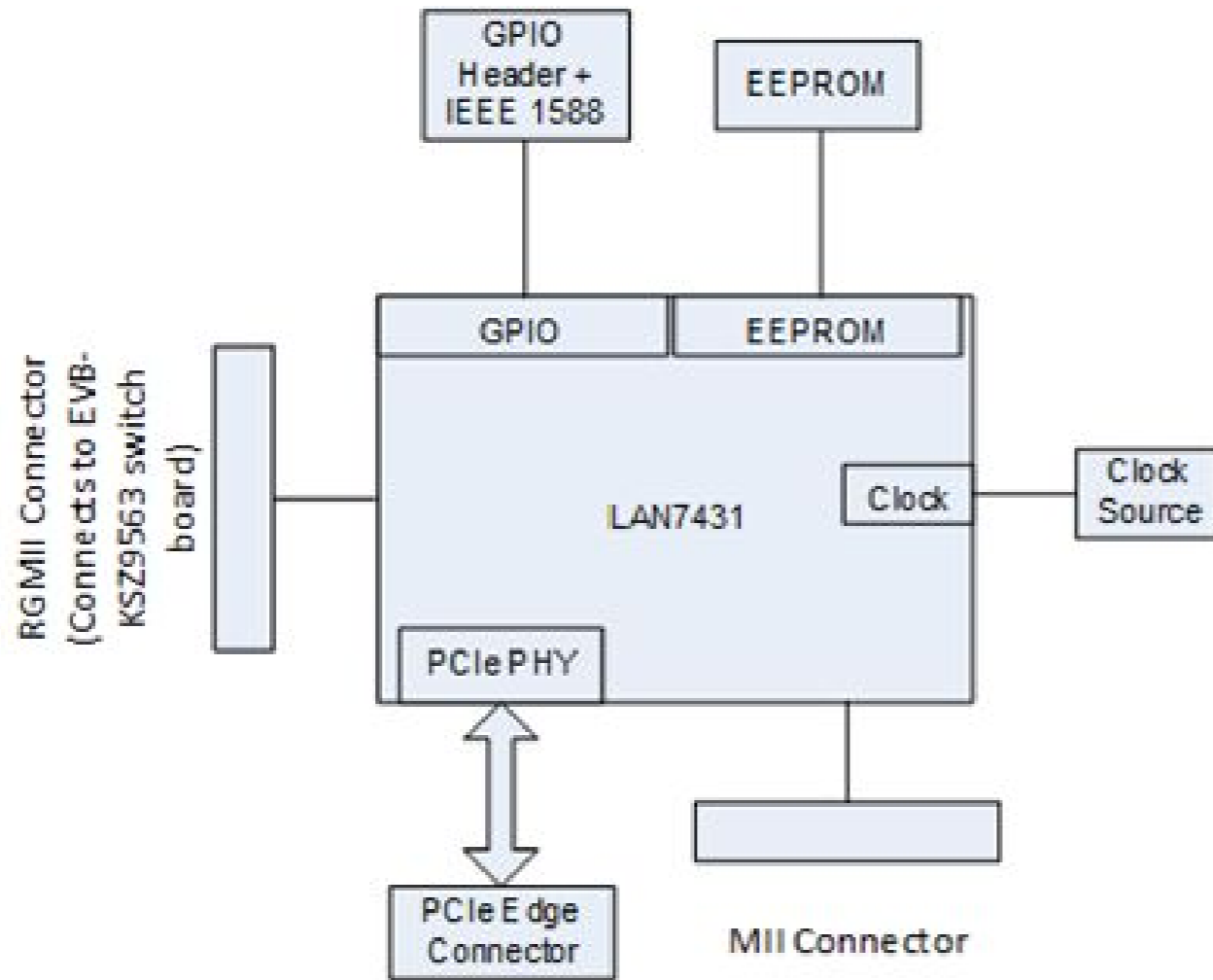
LAN7431 Evaluation Board

Table of Contents

Sheet	Description
1	Title Page
2	LAN7431

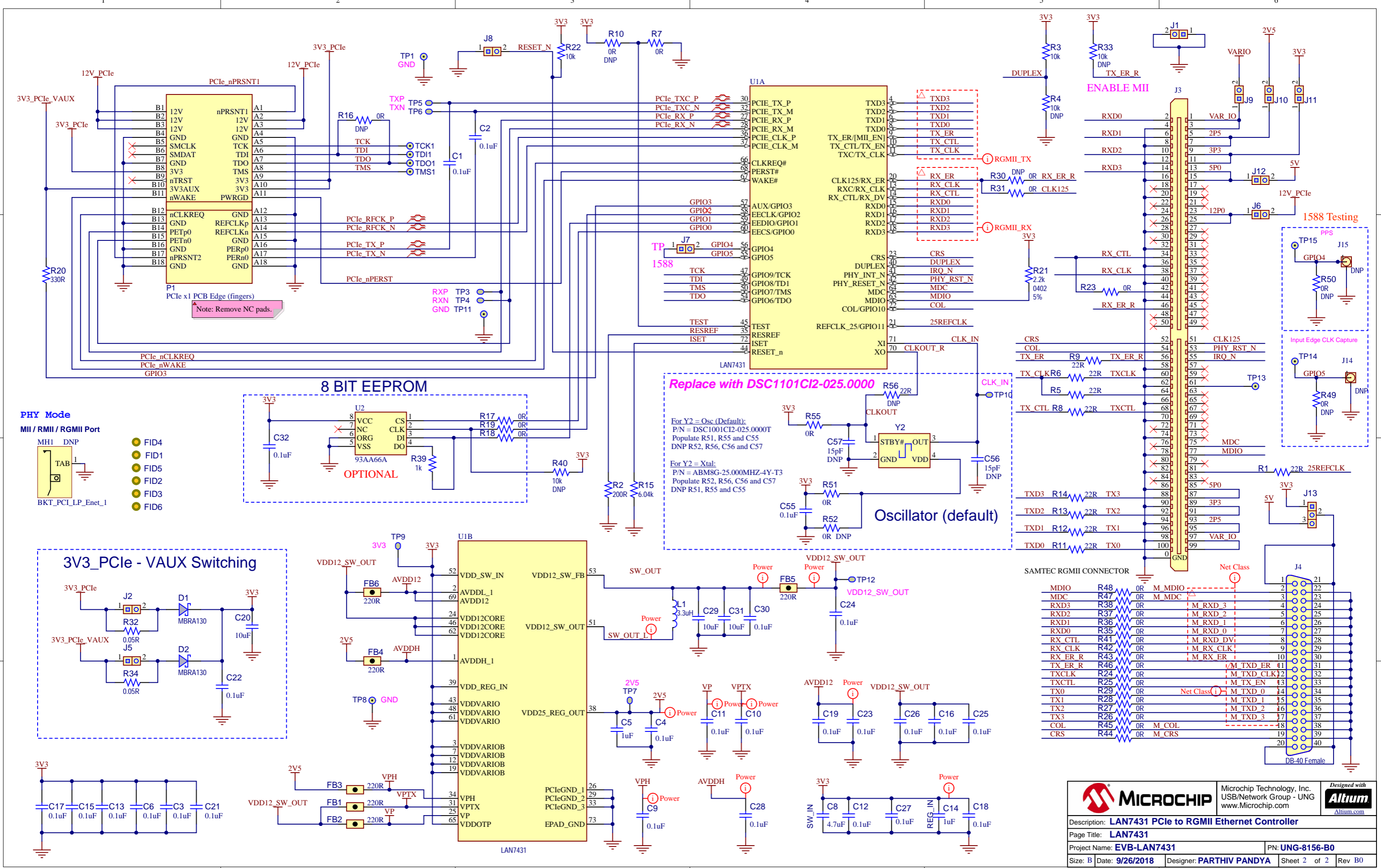
Revision History

Revision	Date	Revision Summary	Author
B0	9/26/2018	Release	P. Pandya



Notes

--	--



PHY Mode
MII / RMII / RGMII Port

MH1 DNP
 TAB 1

BKT_PCI_LP_Enet_1

- FID4
- FID5
- FID2
- FID3
- FID6

8 BIT EEPROM

U2: 93AA66A

VCC 1, CS 2, CLK 3, DI 4, DO 5, VSS 6, NC 7, 8

R17 0R, R18 0R, R19 0R, R39 1k, R40 10k DNP

C32 0.1uF

OPTIONAL

Oscillator (default)

Y2: STBY# OUT VDD

For Y2 = Osc (Default):
 P/N = DSC1001C12-025.0000T
 Populate R51, R55 and C55
 DNP R52, R56, C56 and C57

For Y2 = Xtal:
 P/N = ABM8G-25.000MHZ-4Y-T3
 Populate R51, R56, C56 and C57
 DNP R51, R55 and C55

R51 0R, R52 0R DNP, R55 0R, R56 DNP, C55 0.1uF, C56 15pF DNP, C57 15pF DNP

3V3_PcIe - VAUX Switching

J2, J5: 3V3_PcIe, 3V3_PcIe_VAUX

R32 0.05R, R34 0.05R

D1, D2: MBRA130

C20 10uF, C22 0.1uF

C17 0.1uF, C15 0.1uF, C13 0.1uF, C6 0.1uF, C3 0.1uF, C21 0.1uF

SAMTEC RGMII CONNECTOR

LAN7431 Pin	Resistor	Signal	Net Class	RGMII Connector Pin
MDIO	R48	OR	M_MDIO	1
MDC	R47	OR	M_MDC	2
RXD3	R38	OR	M_RXD_3	3
RXD2	R37	OR	M_RXD_2	4
RXD1	R36	OR	M_RXD_1	5
RXD0	R35	OR	M_RXD_0	6
RX_CTL	R41	OR	M_RXD_DV	7
RX_CLK	R42	OR	M_RX_CLK	8
RX_ER_R	R43	OR	M_RX_ER	9
TX_ER_R	R46	OR	M_TXD_ER	10
TXCLK	R24	OR	M_TXD_CLK	11
TXCTL	R25	OR	M_TX_EN	12
TX0	R29	OR	M_TXD_0	13
TX1	R28	OR	M_TXD_1	14
TX2	R27	OR	M_TXD_2	15
TX3	R26	OR	M_TXD_3	16
COL	R45	OR	M_COL	17
CRS	R44	OR	M_CRS	18

DB-40 Female

MICROCHIP Microchip Technology, Inc. USB/Network Group - UNG www.Microchip.com

Altium Altium.com

Description: **LAN7431 PCIe to RGMII Ethernet Controller**

Page Title: **LAN7431**

Project Name: **EVB-LAN7431** PN: **UNG-8156-B0**

Size: B | Date: **9/26/2018** | Designer: **PARTHIV PANDYA** | Sheet 2 of 2 | Rev B0