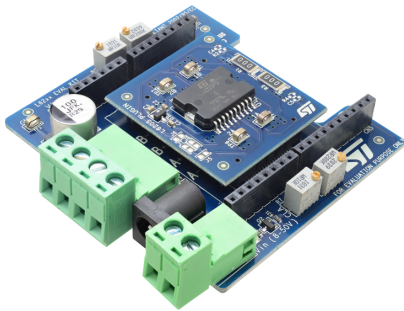


## Evaluation kit environment for L62xx family of dual brush DC and stepper motor drivers based on STM32 Nucleo



### Features

- Voltage range from 8 V to 52 V
- Phase current up to 2.8 A r.m.s (with L6205, L6206, L6207 and L6208 devices) or 1.4 A r.m.s. (with L6225, L6226, L6227 and L6228 devices)
- Easy interchangeable plug-in boards for quick evaluation of the whole stepper and brush DC drivers of the L62xx family
- Programmable high-side overcurrent protection (L6206 and L6226 devices)
- Programmable OFF-time of the PWM current control (L6207, L6227, L6208 and L6228 devices)
- Compatible with Arduino UNO R3 connector
- RoHS compliant

### Description

The [EVL62XX-MAIN](#) is an expansion board that can host small [EVL62XX-PLUG](#) plug-in boards for quick and easy evaluation of brush DC and stepper motor drivers of the L62xx family.

These boards provide an affordable and easy-to-use solution to drive dual brush DC and bipolar stepper motors in association with the evaluation software STSPIN Studio.

The EVL62XX-MAIN is compatible with the Arduino UNO R3 connector.

Product status link
<a href="#">EVL62XX-MAIN</a>
<a href="#">EVL6205-PLUG</a>
<a href="#">EVL6206-PLUG</a>
<a href="#">EVL6207-PLUG</a>
<a href="#">EVL6208-PLUG</a>
<a href="#">EVL6225-PLUG</a>
<a href="#">EVL6226-PLUG</a>
<a href="#">EVL6227-PLUG</a>
<a href="#">EVL6228-PLUG</a>

# 1 Schematic diagrams

Figure 1. EVL62XX-MAIN

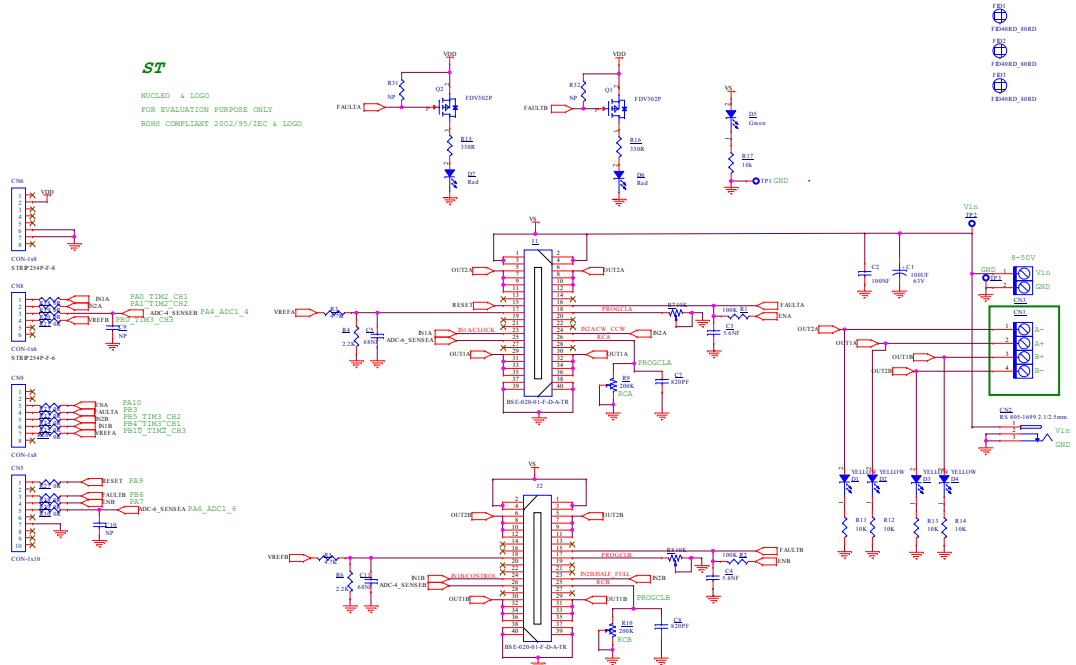


Figure 2. EVL6205-PLUG

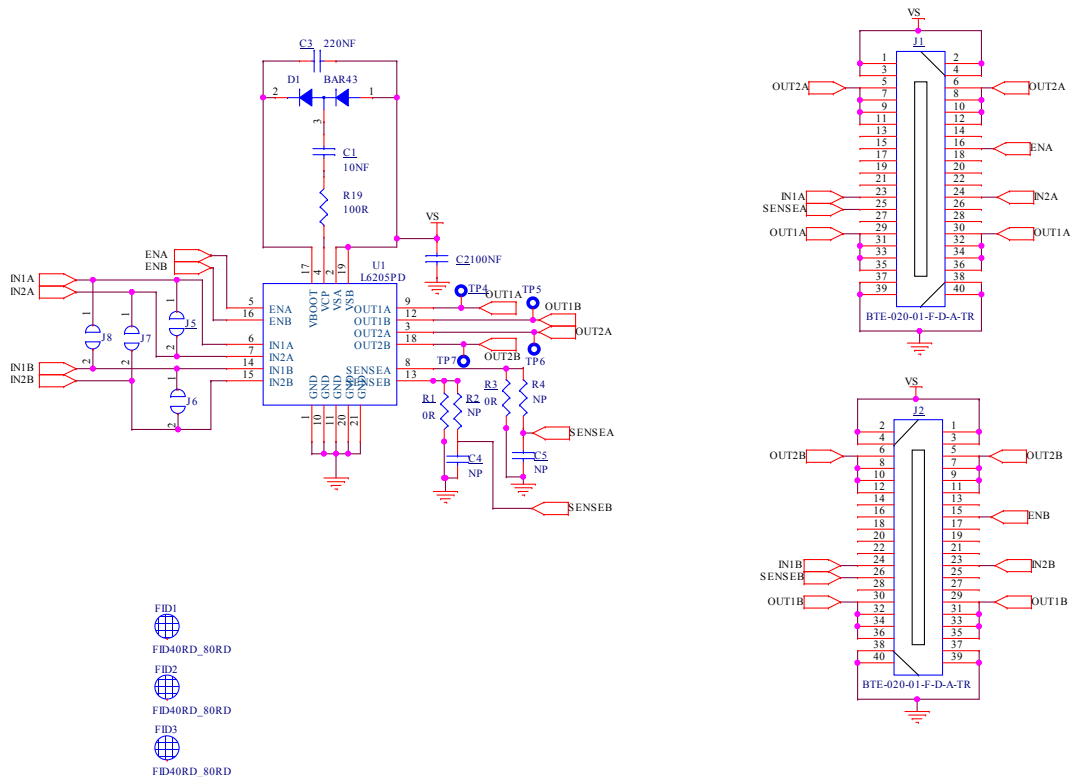




Figure 6. EVL6225-PLUG

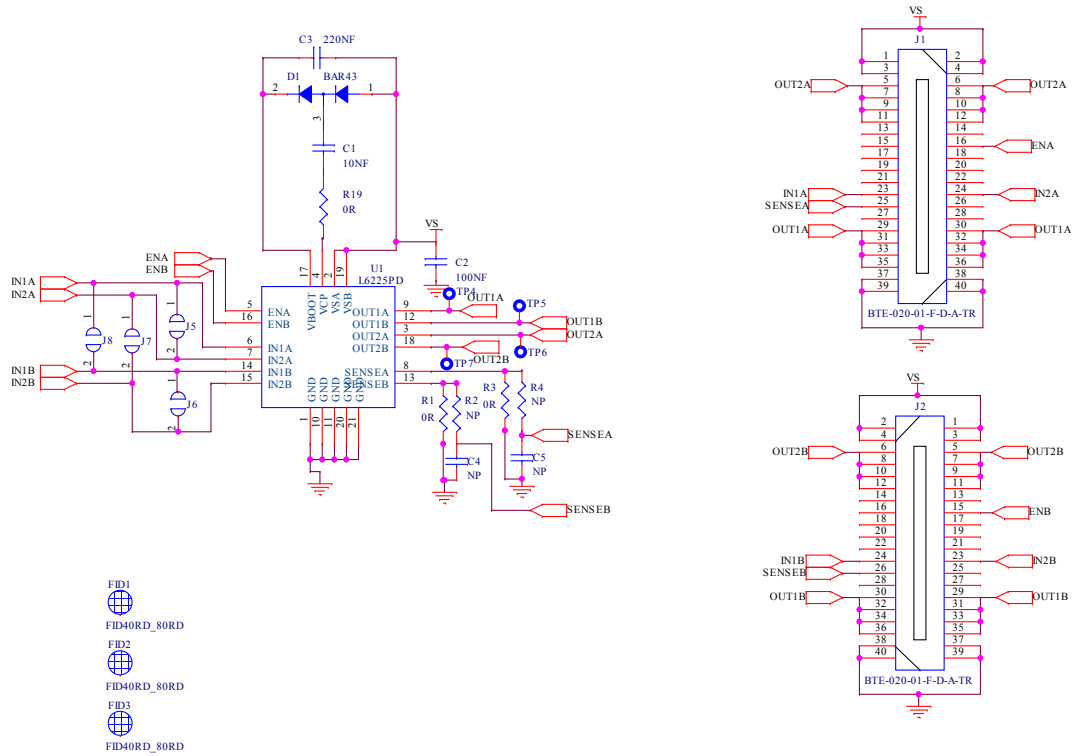


Figure 7. EVL6226-PLUG

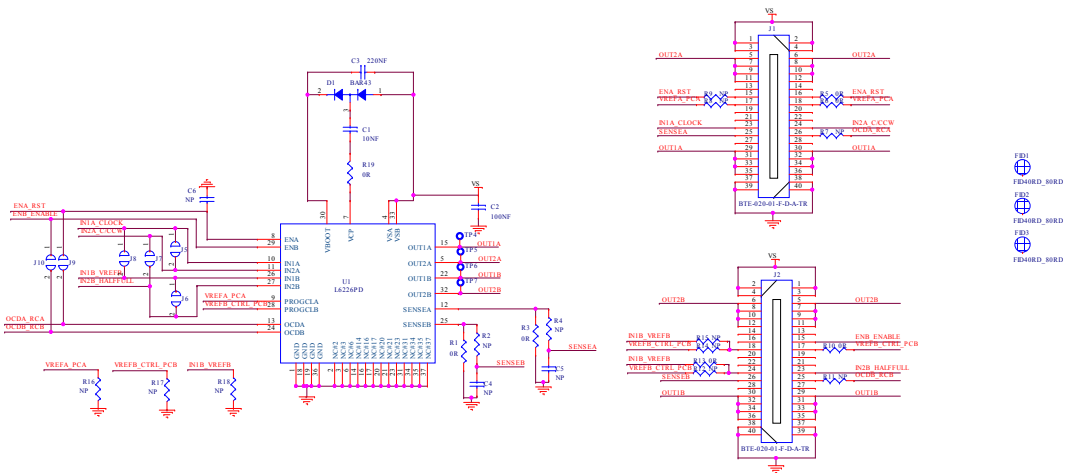


Figure 8. EVL6227-PLUG

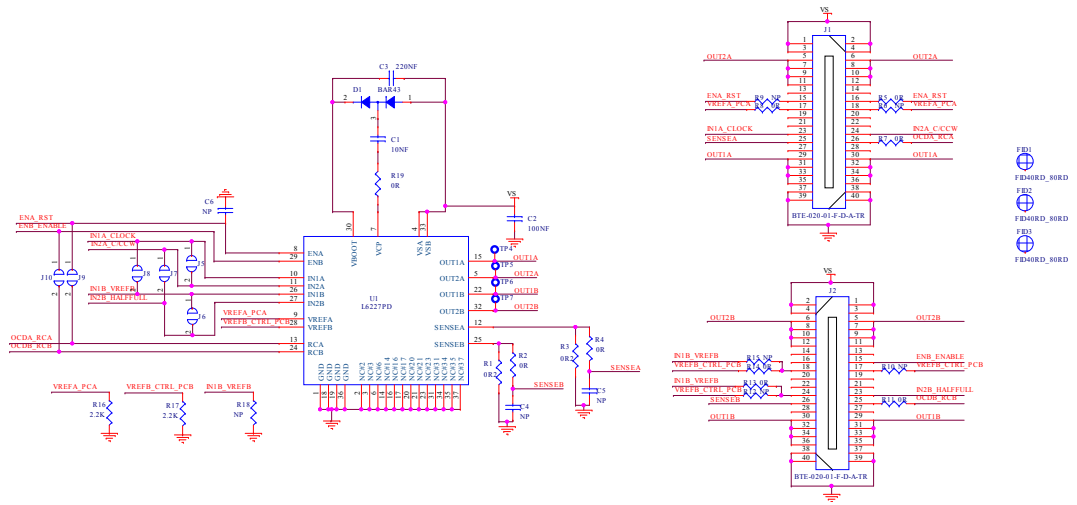
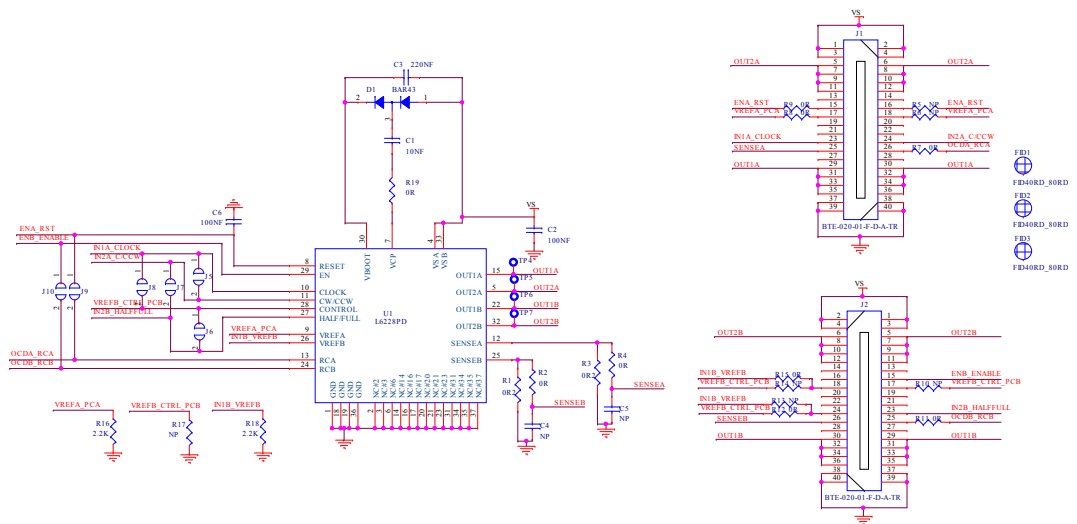


Figure 9. EVL6228-PLUG



## Revision history

**Table 1. Document revision history**

Date	Version	Changes
01-Jul-2021	1	Initial release.



## Contents

<b>1 Schematic diagrams</b> .....	<b>2</b>
<b>Revision history</b> .....	<b>6</b>
<b>Contents</b> .....	<b>7</b>