

18 mm Square Encoders (Water proof Type)

Japan

Type: **EVQV9**



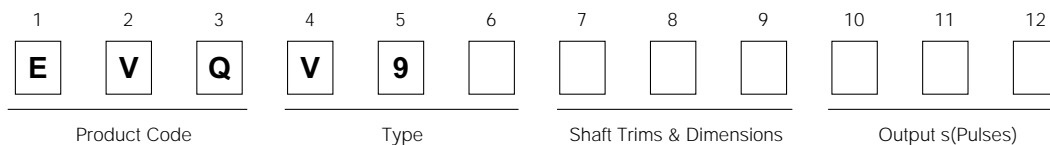
■ Features

- Water resistant
- Highly responsive clicking
- High precision and reliability
(uses the insertion contact method)

■ Recommended Applications

- Car electronics equipments
(for signal input)

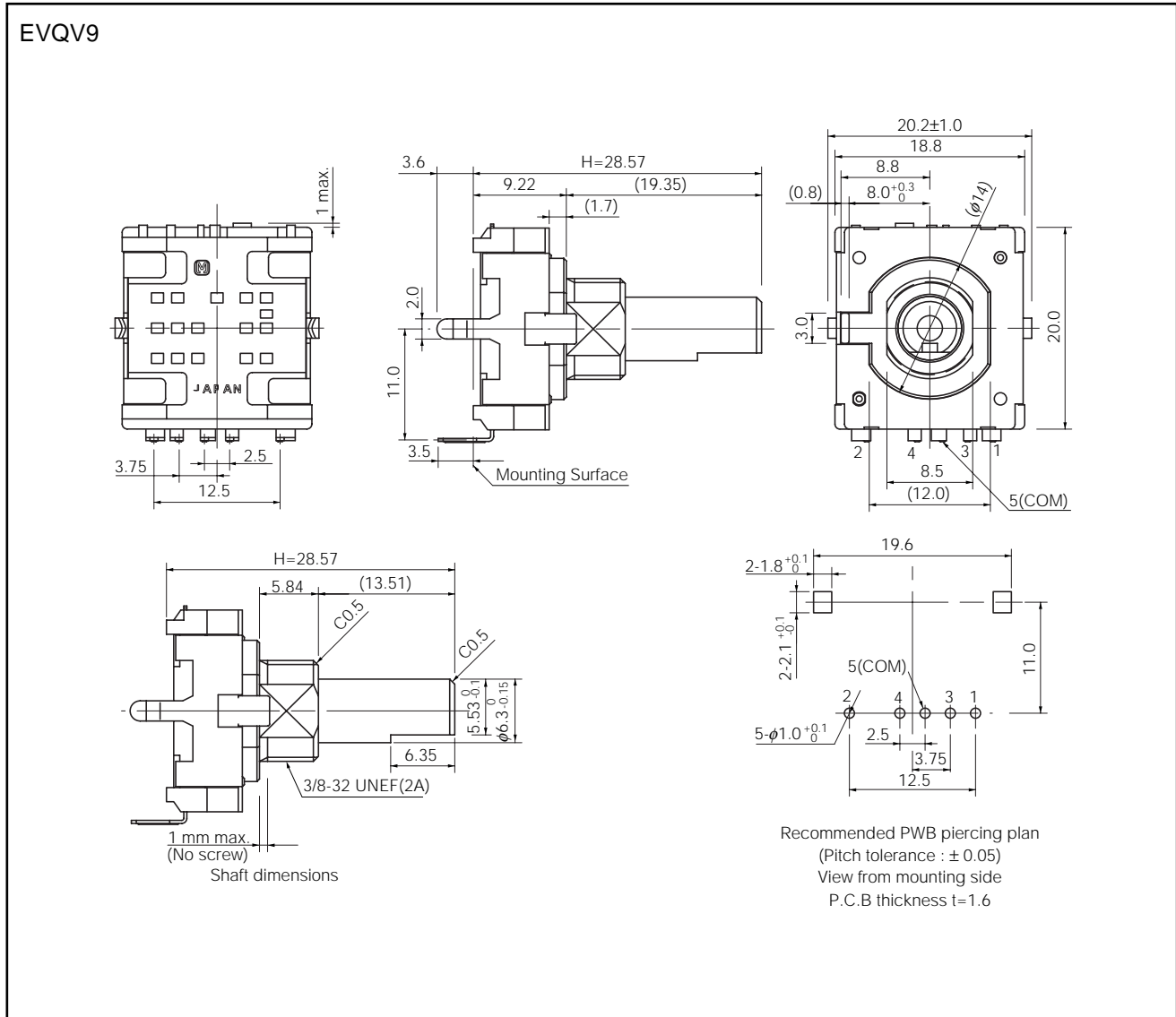
■ Explanation of Part Numbers



■ Specifications

Mechanical	Rotation Angle	360 ° (Endless)	
	Shaft Pull/Push Strength	100 N min.	
	Shaft Wobble	(Each side: 0.5 × L/30(mm)max.) Applied 50 mN·m moment L=Length from mounting surface	
	Rotation Torque	50±20 mN·m	2 mN·m to 20 mN·m
	Detents	16 points	without detents
Electrical	Output Signal	16 positions	12 positions
	Resolution	Absolute 4-bit , Gray cord absolute	
	Rating	1 mA 10 Vdc	
	Contact Resistance	10 Ω max.	
	Insulation Resistance	50 MΩ min. (at 250 Vdc)	
	Dielectric Withstanding Voltage	50 Vac for 1 minute	
	Bouncing	5 ms max.	
Endurance	Rotation Life	30000 cycles min.	
Minimum Quantity / Packing Unit		120 pcs. (Tray Pack)	
Quantity / Carton		1200 pcs.	

■ Dimensions in mm (not to scale)



■ Test Circuit Diagram

