

EX11 Series— Miniature Incremental Rotary Optical Encoder

BEI Sensors



The EX11 Series was developed to provide a high precision, low cost enclosed shaft encoder for light duty applications. The EX11 offers benefits of the Opto-ASIC design with 1024 line counts in a 1.1 inch diameter size.

Packaged in a glass filled polycarbonate housing with 1/8" stainless steel shaft and precision bearings, the EX11 provides superior performance at a lower cost.

The EX11 Series is capable of operating over a temperature range of 0°C to +70°C without degradation of signals.

Proven design and Duncan Electronics' experience makes the EX11 perfectly suited for high volume OEM applications, including: robotics, process control and instrumentation.

Mechanical Specifications

Dimensions: See Figure 1
Weight: 2.0 oz. (Approx.)
Shaft Diameter: 0.1247 +0.0000/-0.0003
Shaft Load: axial 2 lbs., Radial 1 lb.
Torque, starting: less than 0.4 oz. in.
running: less than 0.2 oz. in.
Inertia: 3.0×10^{-5} oz. in./sec
Motor Interface
Servo Mounting Holes: 4 places #2-56 @ 90° on 0.75"B.C.
Servo Mount: designed to accommodate motor mount cleat "PIC type" L2-2
Flange Mounting Holes: 4 places .100 dia. through holes
Shaft Coupling: must be flexible (do not hard mount)

Electrical Specifications

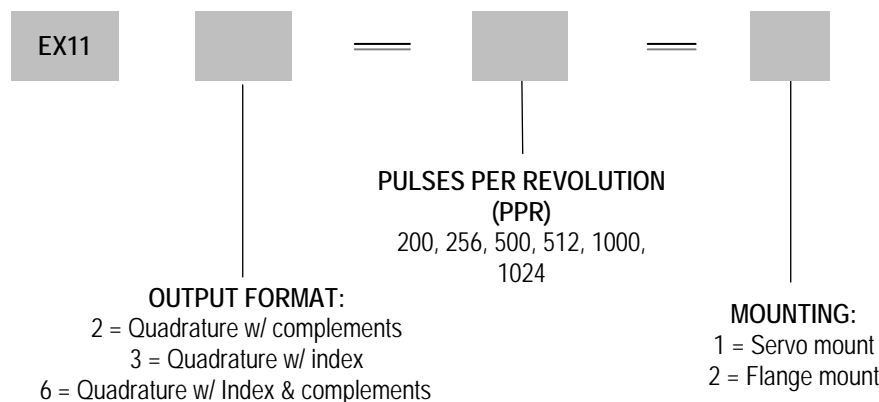
Code: incremental
Pulses per Revolution: see "Ordering Options"
Supply Voltage: +5 volts \pm 5% @ 80mA max.
Output Format: dual channel Quadrature and index with complements (no index on EX112)
Output Type:
 -EX116- Line driver 26LS31 or equivalent should be terminated into a line receiver
 -EX112/EX113- Buffer driver 74F365 and 74F368 or equivalent. (not open collector)
Rise Time: 1.0 μ sec. max.
Frequency Response: see graph: Fig 3

Environmental Specifications

Temperature:
 Operating: 0°C to +70°C
 Storage: -25°C to +90°C
Termination Type: 28 AWG flat ribbon cable with 10 position connector FCI-Berg P/N 6690-310 or equivalent
 Mates with FCI-Berg P/N 65863-165 or equivalent (mating connector not provided)

EX11 Incremental Ordering Options for assistance, call 800.350.2727

Use this diagram, working from left to right to construct your model number (example: EX113-500-2)



EX11 Series— Miniature Incremental Rotary Optical Encoder

BEI Sensors

Dimensions

Figure 1
Servo Mount

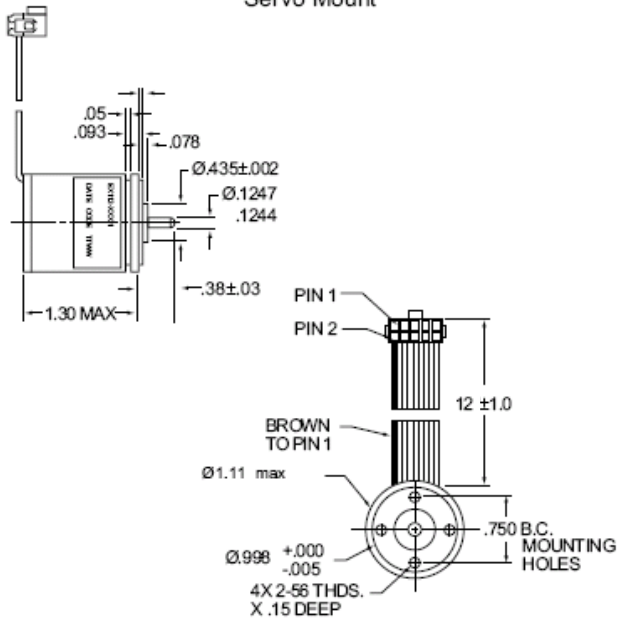
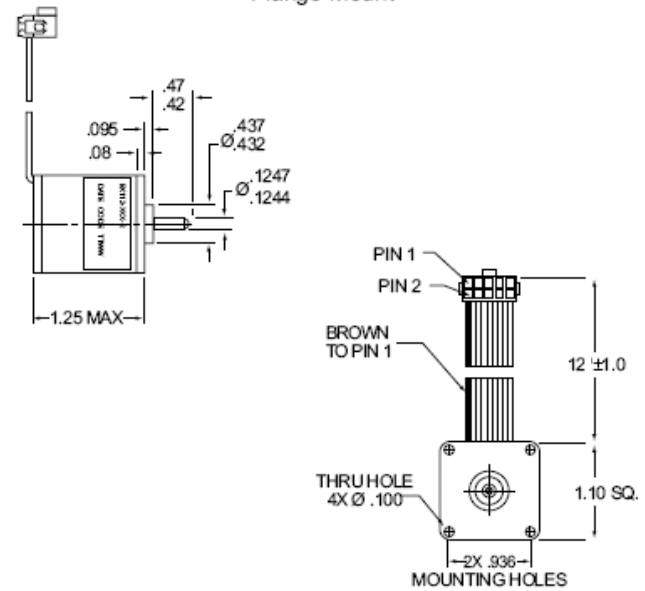
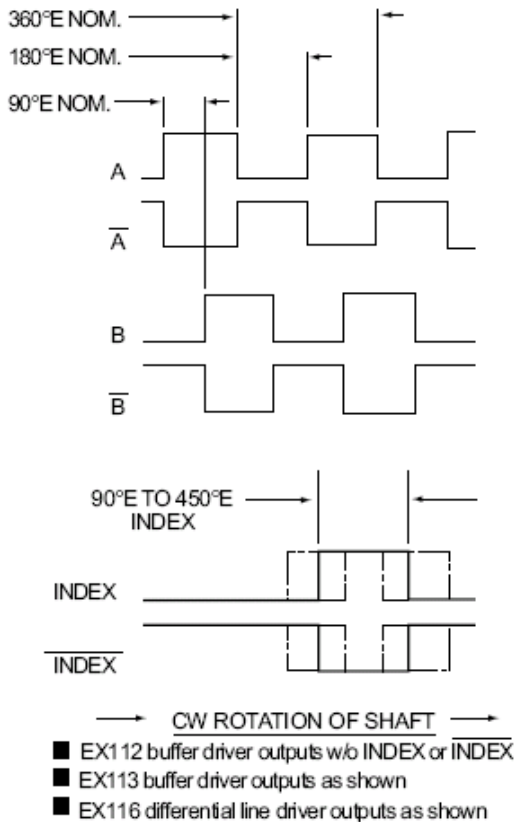


Figure 2
Flange Mount

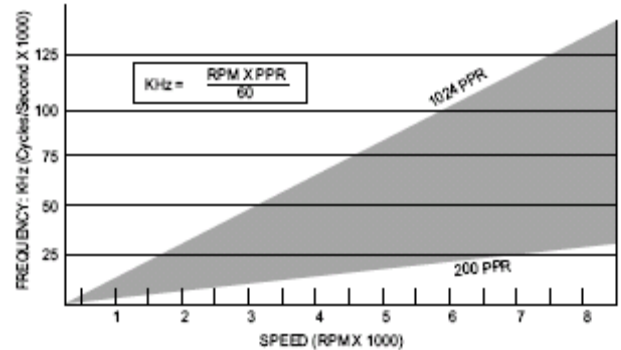


Output Wave Form



Frequency Response

Figure 3



Pin Out

Pin No.	Color	Signal
1	Brown	N/C
2	Red	+5V
3	Orange	\bar{B}
4	Yellow	B
5	Green	$\bar{\text{index}}$
6	Blue	index
7	Violet	\bar{A}
8	Gray	A
9	White	N/C
10	Black	Ground