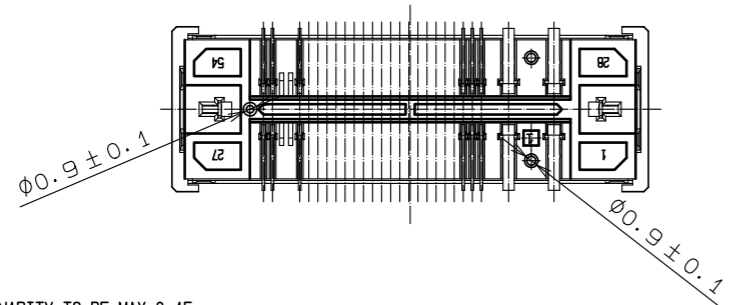
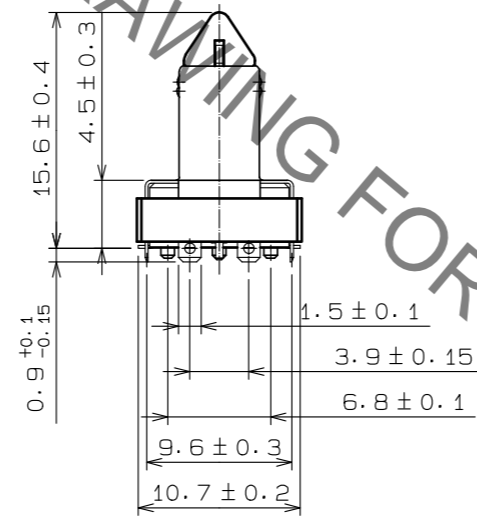
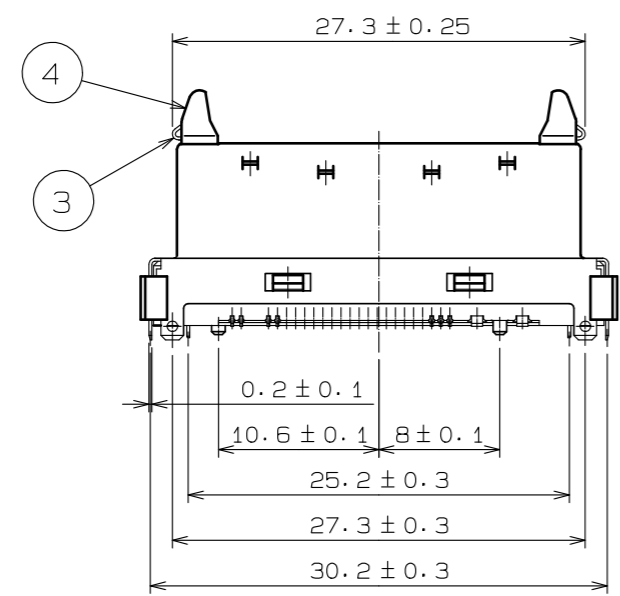
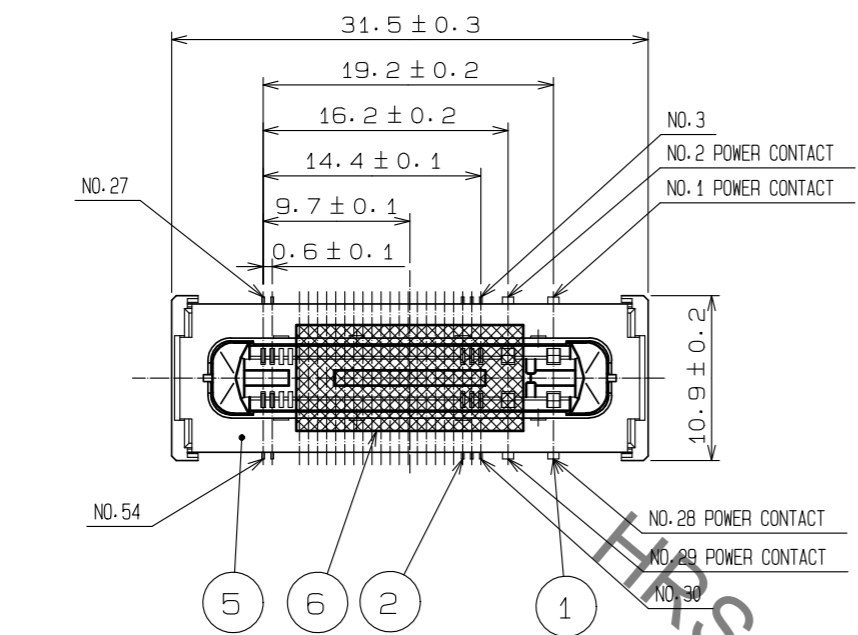
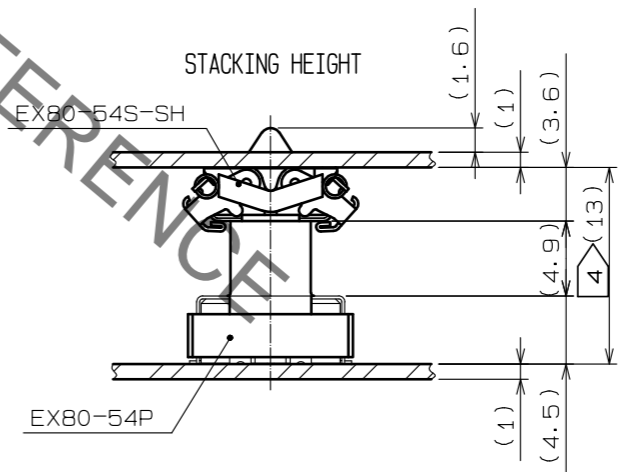
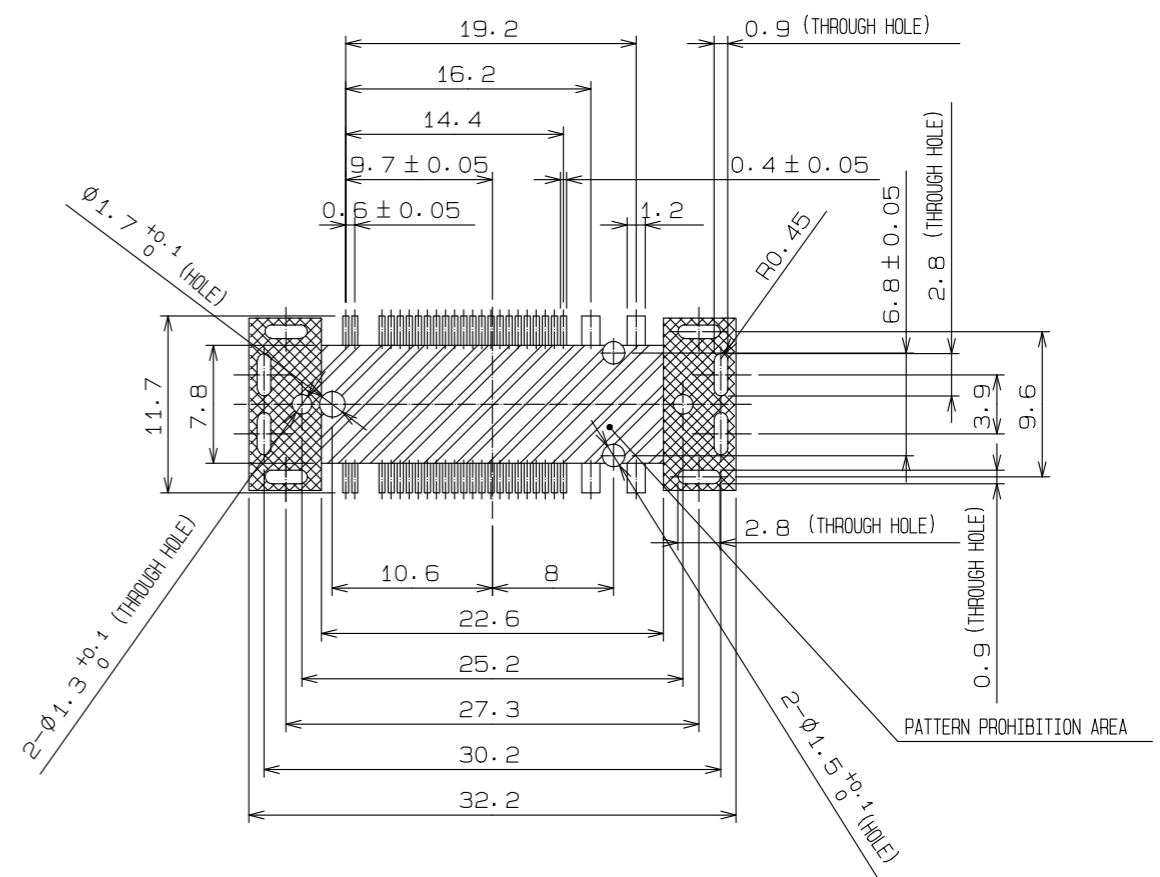


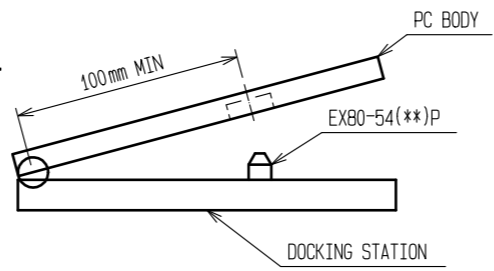
Jan.1.2022 Copyright 2022 HIROSE ELECTRIC CO., LTD. All Rights Reserved.
In case of consideration for using Automotive equipment / device which demand high reliability, kindly contact our sales window correspondents.



RECOMMENDED PC BOARD PATTERN (AUTOMATIC MOUNTING)
(COMPONENT MOUNTING SIDE : PCB t=1 MIN)



- NOTE 1 CONTACT CO-PLANARITY TO BE MAX 0.15.
 2 TOLERANCES TO BE ± 0.1 UNLESS OTHERWISE SPECIFIED.
 3 POWER CONTACT No.1 TO BE 0.3 [mm] LONGER SEQUENTIAL STRUCTURE THAN OTHER SIGNAL CONTACTS.
 4 DEVICE DESIGN SHALL CONSIDER THE STACKED HEIGHT TO BE 14.5mm MAX. (RECOMMENDED STACKED HEIGHT IS 13.7mm MAX.)
 5 APPLY FLOATING STRUCTURE (WITHIN 0.7mm) TO DEVICES FOR THE ATTACHMENT OF THIS PRODUCT.
 6 CONTACT No. 24, 25, 51 AND No. 52 ARE NOT INSTALLED.
 7 MATING GUIDE IS REQUIRED ON THE DEVICE.
 8 100mm MIN. OF TURNING-RADIUS IS REQUIRED FOR THE ROTATE-AND-MATE PC BODY TO DOCKING STATION.



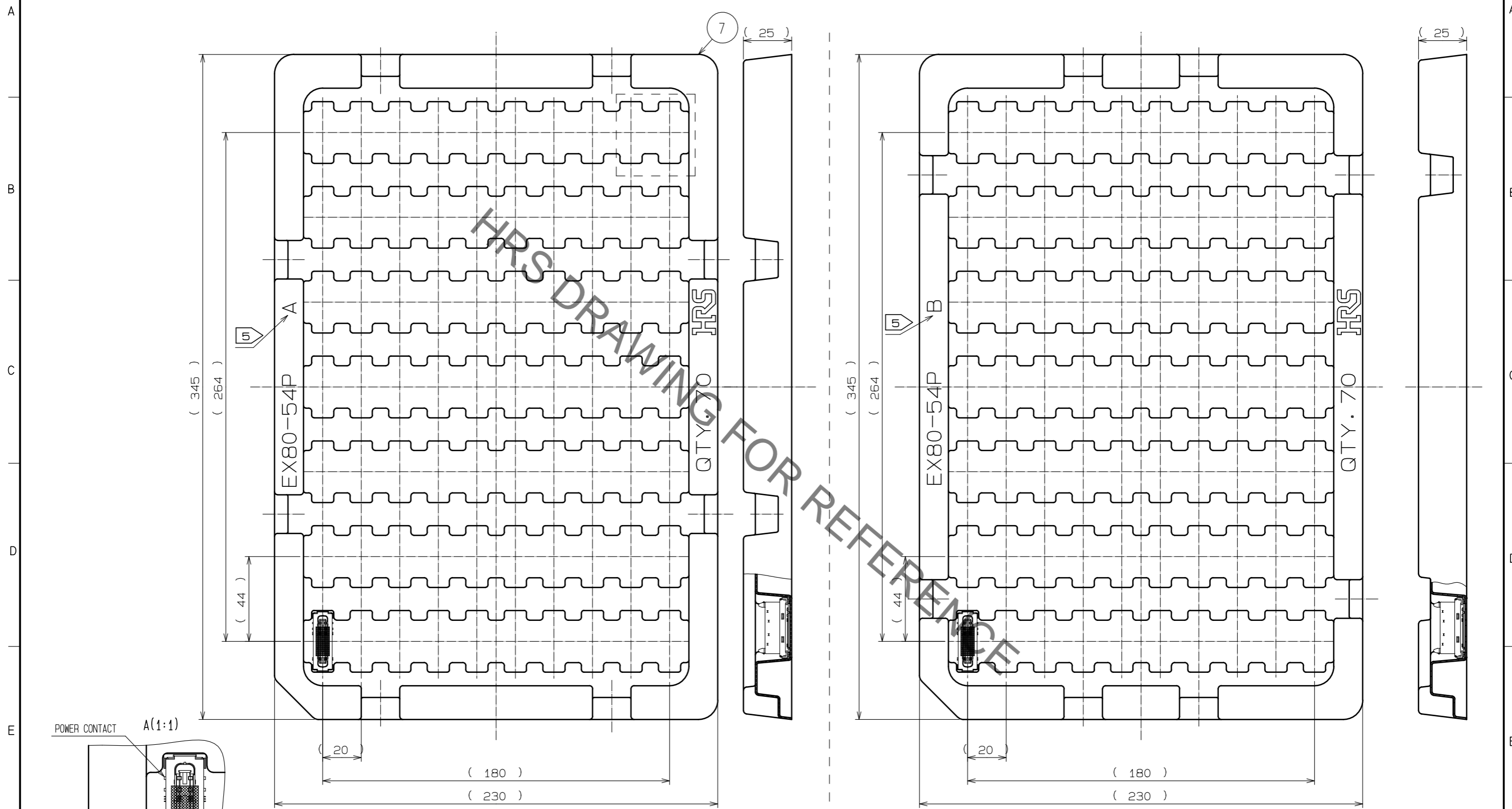
NO.	MATERIAL	FINISH . REMARKS	NO.	MATERIAL	FINISH . REMARKS
7	PS		7	PS	
6	Copper Alloy	Contact area: gold plating 0.5μm min Lead area: gold plating 0.03μm min Under: nickel plating 2μm min	6	Pick & Place tape	
5	Copper Alloy	Contact area: gold plating 0.5μm min Lead area: gold plating 0.03μm min Under: nickel plating 2μm min	5	Stainless steel	Dip area: tin plating 1μm min Under: nickel plating 0.6μm min
4			4	LCP	UL94V-0. Black
3			3	Phosphor Bronze	Dip area: gold plating 0.03μm min Under: nickel plating 2μm min

UNITS	SCALE	COUNT	DESCRIPTION OF REVISIONS	DESIGNED	CHECKED	DATE
mm	2 : 1	1	DIS-E-00004011	MO. SHIMUYAMA	TU. TANIGUCHI	20210120

APPROVED	CHECKED	DESIGNED	DRAWN	DRAWING NO.	PART NO.	CODE NO.
MN. KENJO	TU. TANIGUCHI	KIM JAEHYEON	DS. HIROWATARI	EDC-123447-70-00	EX80-54(50)P(70)	CL0232-0607-8-70

Jan.1.2022 Copyright 2022 HIROSE ELECTRIC CO., LTD. All Rights Reserved.
In case of consideration for using Automotive equipment / device which demand high reliability, kindly contact our sales window correspondents.

EX80-54P PACKAGING FIGURE



NOTE 4 QUANTITY PER TRAY TO BE 70 PCS MAX.
5 ORDERING VOLUME TO BE MADE BY QUANTITY OF CONNECTOR.
A TYPE AND B TYPE TRAY PILED UP ONE AFTER ANOTHER.

HRS	DRAWING NO.	EDC-123447-70-00
	PART NO.	EX80-54(50)P(70)
	CODE NO.	CL0232-0607-8-70
		2/2