



PART NAME

## EXTRUDED ALUMINUM IP65 PCB ENCLOSURES

PART No.

EXN-23350 (SEE TABULATION FOR COMBINATIONS)

REVISION DATE

10-23-15

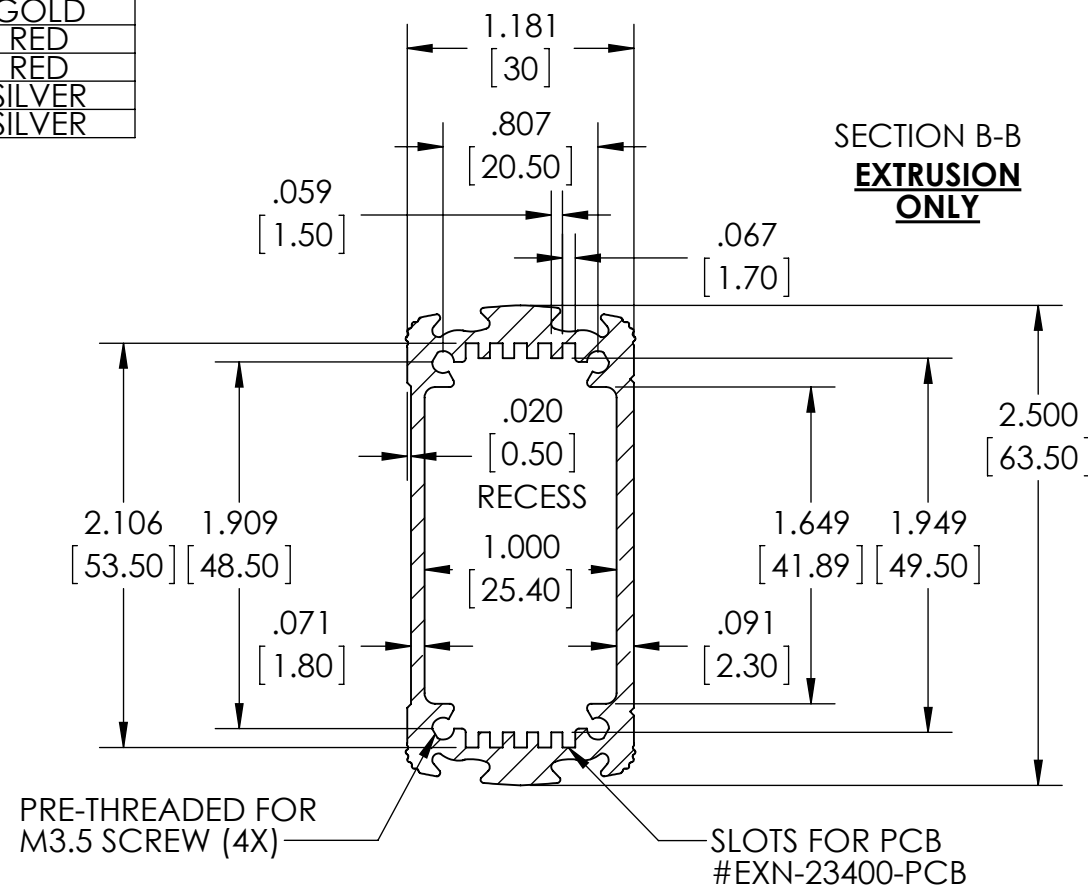
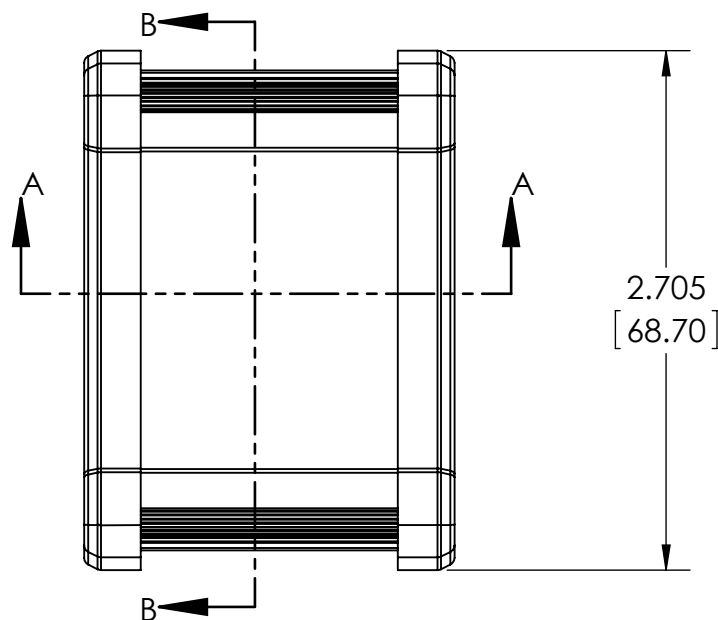
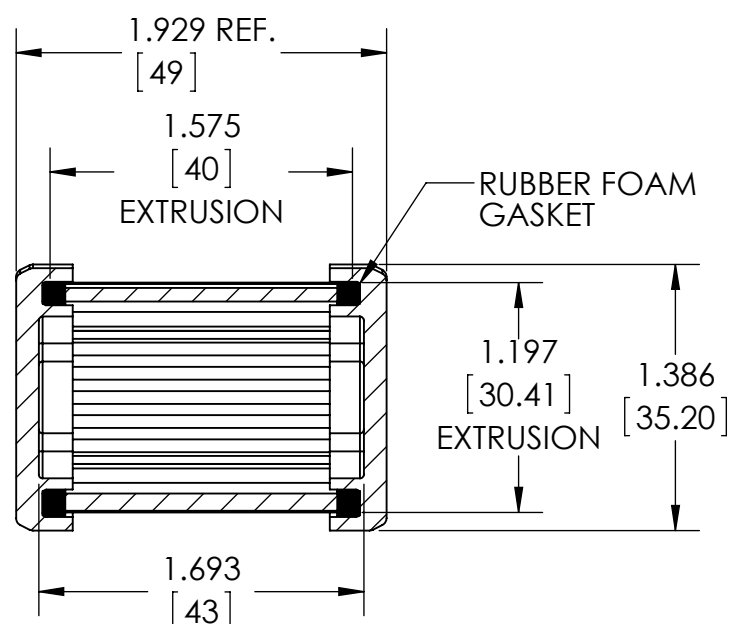
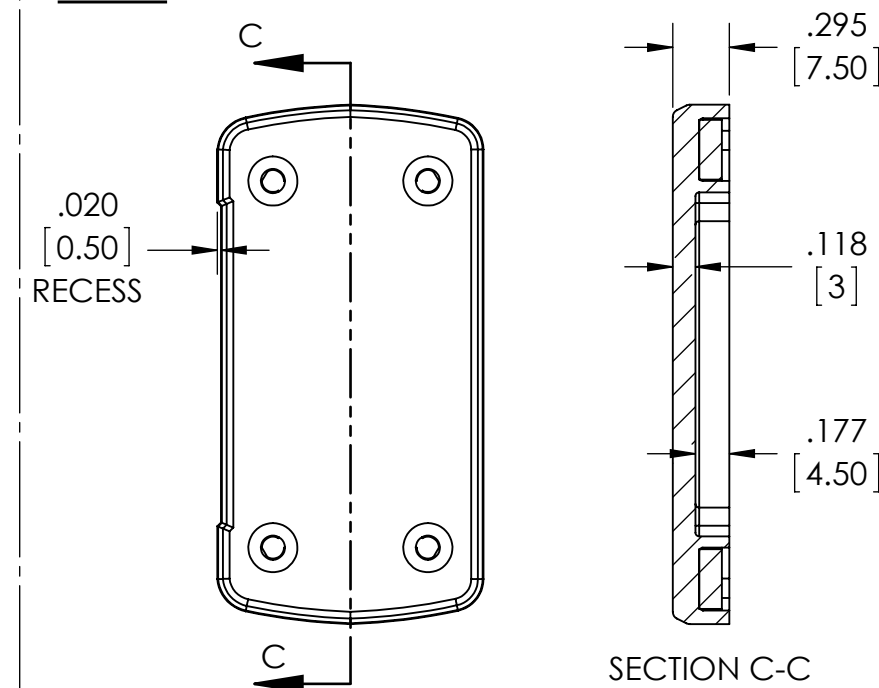
| PART NUMBER   | ALUM. COVER | PLASTIC COVER    | BODY COLOR |
|---------------|-------------|------------------|------------|
| EXN-23350-BK  | BLACK       | -                | BLACK      |
| EXN-23350-BKP | -           | BLACK            | BLACK      |
| EXN-23350-BL  | BLACK       | -                | BLUE       |
| EXN-23350-BLP | -           | TRANSLUCENT BLUE | BLUE       |
| EXN-23350-GD  | BLACK       | -                | GOLD       |
| EXN-23350-GDP | -           | CLEAR            | GOLD       |
| EXN-23350-RD  | BLACK       | -                | RED        |
| EXN-23350-RDP | -           | IR RED           | RED        |
| EXN-23350-SV  | BLACK       | -                | SILVER     |
| EXN-23350-SVP | -           | CLEAR            | SILVER     |

MATERIAL: ALUMINUM EXTRUSION BODY PROVIDED WITH ALUMINUM COVER (2X) AND GASKETS OR POLYCARBONATE COVER (2X) AND GASKETS - NOT ASSEMBLED

DIMENSIONS ARE INCH[MM]

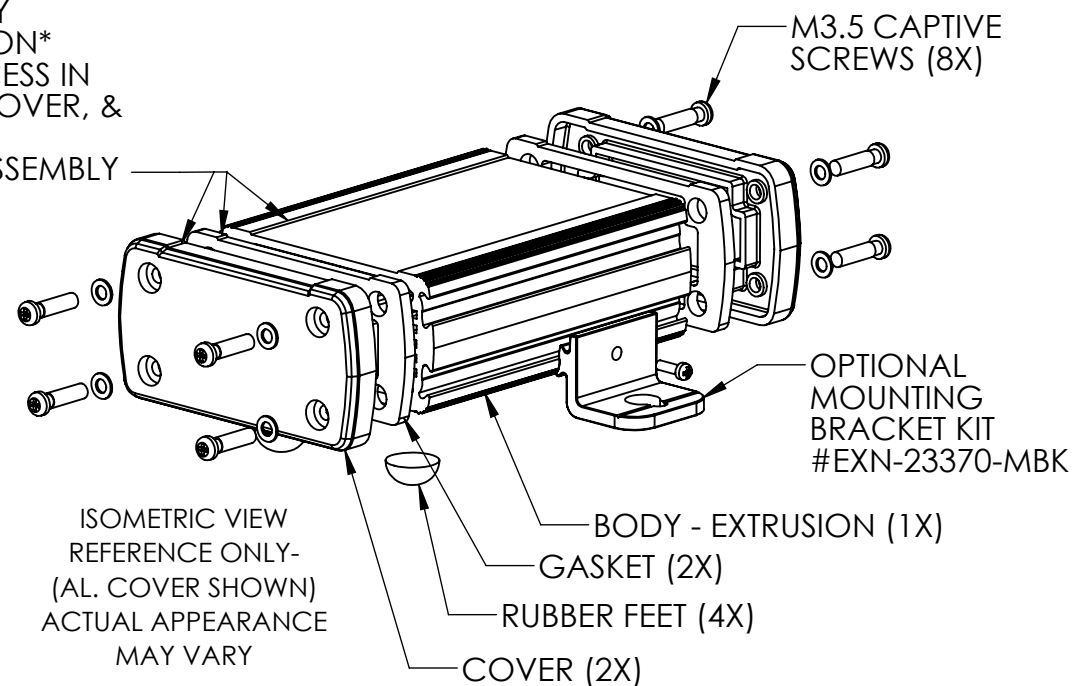
**DRAWING FOR REFERENCE**

WE RESERVE THE RIGHT TO MAKE CHANGES TO OUR STANDARD PRODUCTS. PLEASE CONSULT WITH BUD INDUSTRIES PRIOR TO USING THIS DRAWING FOR DESIGN PURPOSE.

**DIE CAST ALUMINUM COVER**

SECTION A-A  
DIMENSIONS MAY VARY DEPENDING ON THE COMPRESSION OF THE GASKETS

\* ASSEMBLY ORIENTATION\*  
ALIGN RECESS IN GASKET, COVER, & EXTRUSION DURING ASSEMBLY

**PLASTIC COVER**