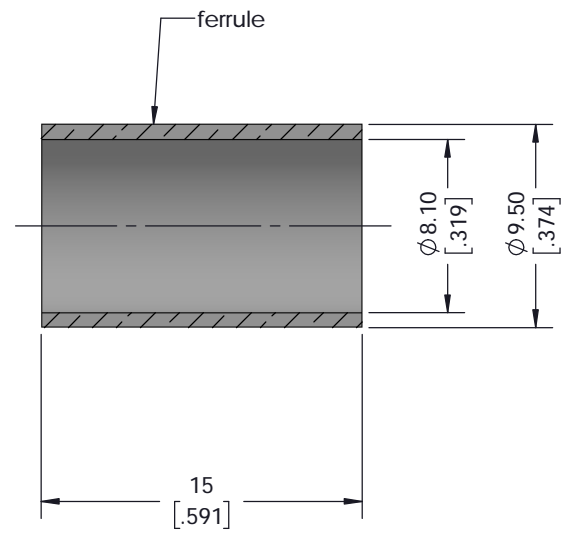
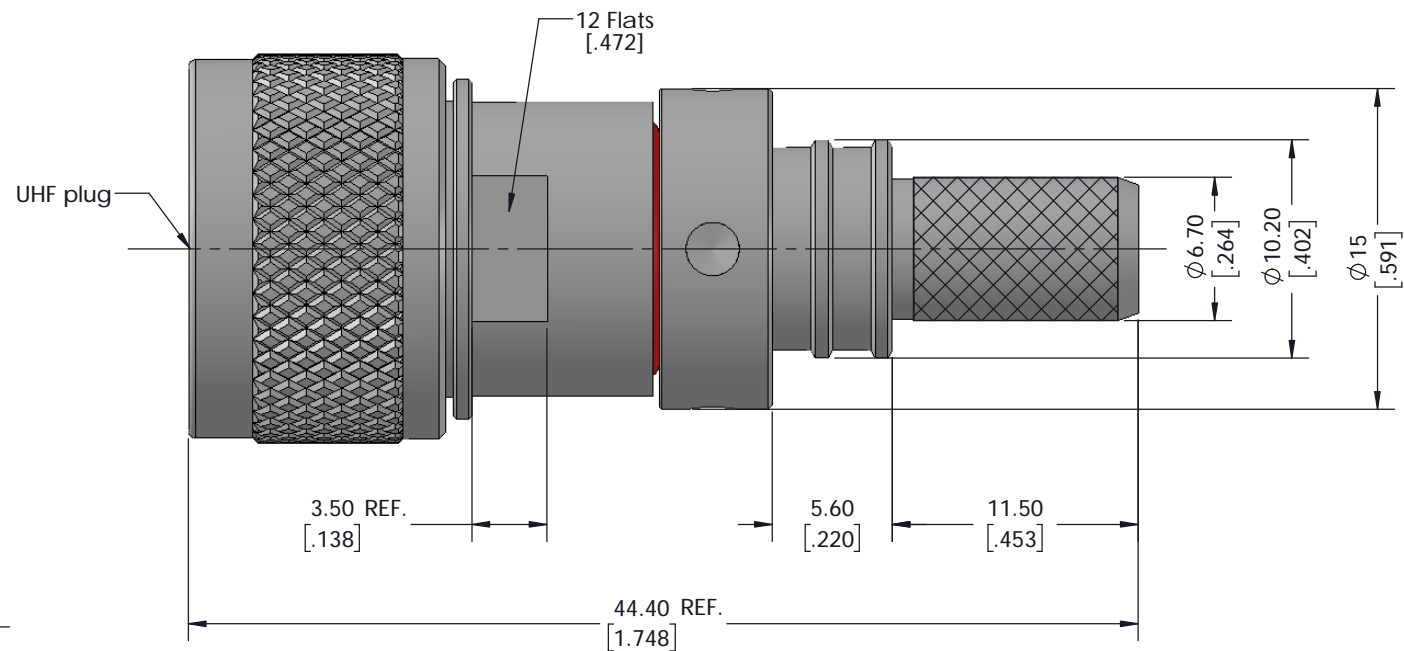


8 7 6 5 4 3 2 1  
 NOTICE OF PROPRIETARY RIGHTS. THIS DOCUMENT CONTAINS CONFIDENTIAL DATA, INCLUDING TRADE SECRETS, PROPRIETARY TO TIMES MICROWAVE SYSTEMS. DISCLOSURE OF THIS DATA IS EXPRESSLY CONDITIONED UPON YOUR ASSENT THAT ITS USE IS LIMITED TO USE WITHIN YOUR COMPANY ONLY. ANY OTHER USE IS STRICTLY PROHIBITED WITHOUT THE PRIOR WRITTEN CONSENT OF TIMES MICROWAVE SYSTEMS.

VER	Description	ECN	Name	Date
A	Initial Released	N/A	Patrick	2018/10/20



**I. MATERIALS & FINISHES**

Component	Material	Finishes	Thk. (u")
Body	Brass	Sn-Ni	100
Contact Pin	Phosphor Bronze	Silver	200
Insulator	PTFE	--	--
Coupling Nut	Brass	Sn-Ni	100
Ferrule	Brass	Sn-Ni	100

**II. ELECTRICAL PROPERTIES**

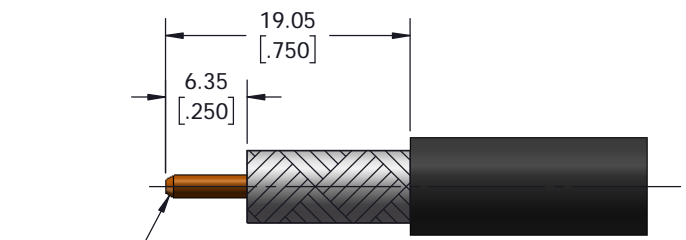
Impedance ( $\Omega$ ):	50
Frequency Range (GHz):	DC~3 GHz
Dielectric Withstanding Voltage (V r.m.s.):	2000
Insulation Resistance (M $\Omega$ ):	$\geq 5000$
VSWR:	$\leq 1.30$ (DC~2.45 GHz)
Insertion Loss (dB, f / GHz):	-0.1 x sqrt (f)

**III. ENVIRONMENT PROPERTIES**

Temperature Range:	-40°C~+125°C
Thermal Shock:	MIL-STD-202, Meth. 107, Cond. B
Vibration:	MIL-STD-202, Meth. 204, Cond. B
Shock:	MIL-STD-202, Meth. 213, Cond. G
Climatic Class:	IEC 60068 55/155/21
RoHS:	Compliant

**IV. MECHANICAL PROPERTIES**

Center Conductor:	Spring Finger
Outer Conductor:	Crimp
Coupling Nut Torque (in-lbs):	N/A
Cable-Connector Retention Force (lbs):	90
Durability (Cycles):	500



RECOMMENDED CABLE STRIPPING DIM'S  
 Connector Adds: 26.15 mm

**V. Tooling & Accessories**

Stripping Tool: 3192-084/CST-300

Crimping Tool: 3190-666/CT-400/300

Heat Shrink Tube: 1/2"x1.5" (3:1) 1 pcs

Compatible with Standard: IEC 60169-12

UNLESS OTHERWISE SPECIFIED		DFTM	Patrick	 An Amphenol Company
ALL DIMENSIONS ARE IN mm		DATE	2018/10/20	
MACHINED SURFACES FINISH 1.6 RMS MAX.		CHKD	Monica	
REMOVE ALL BURRS 0.15X45° MAX. BREAK		DATE	2018/10/20	
MACHINE CORNERS 0.15X45° D MAX. FILLET		APPD	Joslen	
R. TOLERANCES ON DECIMALS		DATE	2018/10/20	<b>EZ-300-UM-X</b> UHF Male (Plug) Straight Non-Solder Pin No Braid Trim Connector for LMR-300 Cable
.X $\pm 0.1$ .XX $\pm 0.05$		SHT	1/1	
ANGLES $\pm 2^\circ$ FRACTIONS $\pm N/A$		3190-8019	REV	A

Scale:	4:1	Size:	A3	CODE IDENT	68999
--------	-----	-------	----	------------	-------