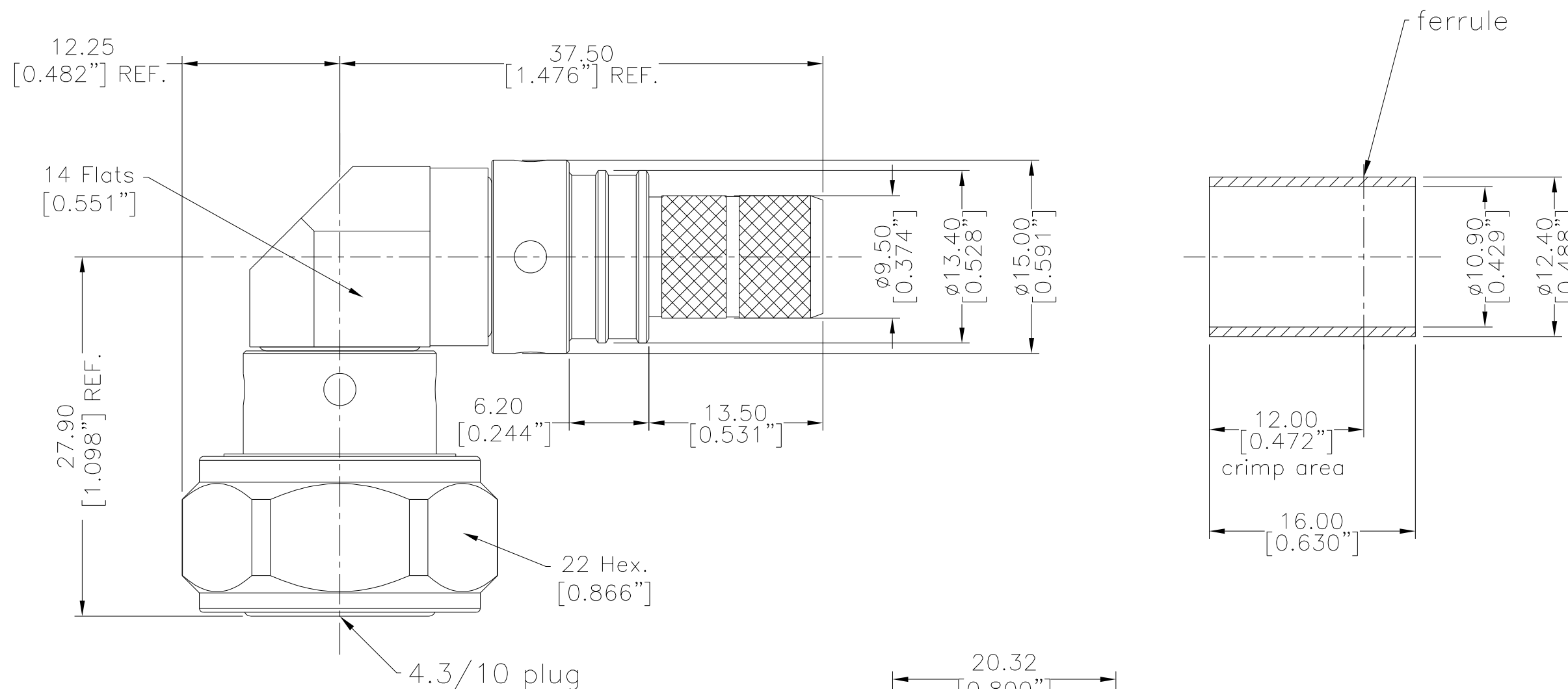


**NOTICE OF PROPRIETARY RIGHTS** THIS DOCUMENT CONTAINS CONFIDENTIAL DATA, INCLUDING TRADE SECRETS, PROPRIETARY TO TIMES MICROWAVE SYSTEMS. DISCLOSURE OF THIS DATA IS EXPRESSLY CONDITIONED UPON YOUR ASSENT THAT ITS USE IS LIMITED TO USE WITHIN YOUR COMPANY ONLY. ANY OTHER USE IS STRICTLY PROHIBITED WITHOUT THE PRIOR WRITTEN CONSENT OF TIMES MICROWAVE SYSTEMS.

| SYM | REVISION DESCRIPTION    | DFTM    | DATE       | APPD   | APPD       |
|-----|-------------------------|---------|------------|--------|------------|
| A   | RELEASED FOR PRODUCTION | Patrick | 2019/04/19 | Joslen | 2019/04/19 |



**I. MATERIALS & FINISHES**

| Components   | Materials        | Finishes | Thk. (μ") |
|--------------|------------------|----------|-----------|
| Body         | Brass            | Sn-Ni    | 100       |
| Contact Pin  | Beryllium Copper | Gold     | 50        |
| Insulator    | PTFE             | --       | --        |
| Coupling Nut | Brass            | Sn-Ni    | 100       |
| Ferrule      | Brass            | Sn-Ni    | 100       |
| Gasket       | Silicone Rubber  | --       | --        |

**II. ELECTRICAL PROPERTIES**

|                                  |                 |
|----------------------------------|-----------------|
| Impedance:                       | 50 Ω            |
| Frequency Range:                 | DC to 6 GHz     |
| Dielectric Withstanding Voltage: | 2500 V rms      |
| Insulation Resistance:           | ≥10000 MΩ       |
| VSWR:                            | ≤1.35           |
| Insertion Loss:                  | -0.1x√f(GHz) dB |

**III. ENVIRONMENTAL PROPERTIES**

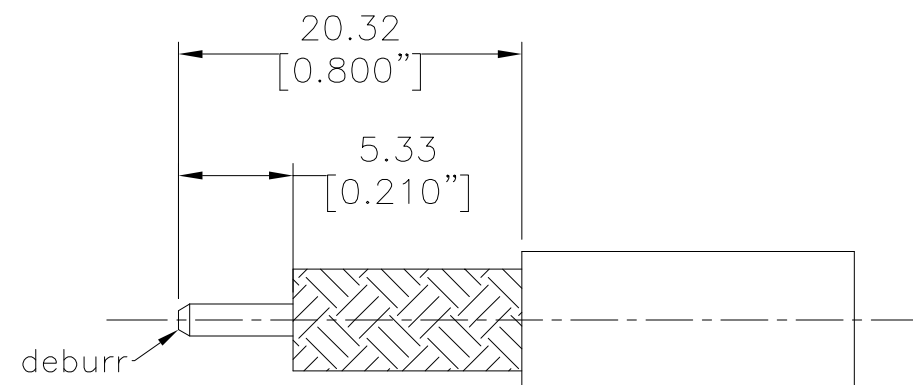
|                    |                                |
|--------------------|--------------------------------|
| Temperature Range: | -40°C to +125°C                |
| Thermal Shock:     | MIL-STD-202, Meth.107, Cond. B |
| Vibration:         | MIL-STD-202, Meth.204, Cond. B |
| Shock:             | MIL-STD-202, Meth.213, Cond. I |
| Climatic Class:    | IEC 60068 40/85/21             |
| RoHS:              | Compliant                      |

**IV. MECHANICAL PROPERTIES**

|                                |               |
|--------------------------------|---------------|
| Center Contact:                | Spring Finger |
| Outer Contact:                 | Crimp         |
| Coupling Nut Torque:           | 5 N.m         |
| Cbl-Connector Retention Force: | 120 lbs       |
| Durability:                    | 100 Cycles    |

**V. TOOLINGS & ACCESSORIES**

|                   |                      |
|-------------------|----------------------|
| Stripping Tool:   | 3192-004/ CST-400    |
| Crimping Tool:    | 3190-666/ CT-400/300 |
| Heat Shrink Tube: | 3/4"x2" (3:1) 1 pcs  |
| WSB Boot Option:  | 3109-394/ WSB-400    |



RECOMMENDED CABLE STRIPPING DIM'S  
Connector Adds: 18.3 mm

Interface Compatible with Standard:  
IEC 61169-54

| MATL:      | UNLESS OTHERWISE SPECIFIED  | DFTM. Patrick        | TIMES MICROWAVE SYSTEMS<br>An Amphenol Company   |                 |         |           |       |
|------------|---|----------------------|--|-----------------|---------|-----------|-------|
|            | ALL DIMENSIONS ARE IN mm<br>MACHINED SURFACES FINISH 1.6 RMS MAX.<br>REMOVE ALL BURRS 0.15X45° MAX. BREAK<br>MACHINE CORNERS 0.15X45° D MAX. FILLET<br>R. TOLERANCES ON DECIMALS<br>.X ±0.3 .XX ±0.15<br>ANGLES ±2° FRACTIONS ± N/A | DATE 2019/04/19      | EZ-400-4310M-RA-X<br>4.3/10 Male (Plug) Right Angle<br>Non-Solder Pin No Braid Trim<br>Connector for LMR-400 Cable |                 |         |           |       |
|            |   | CHKD Monica          |  |                 |         |           |       |
|            |   | DATE 2019/04/19      |  |                 |         |           |       |
| USED ON: O |   | APPD Joslen          |  |                 |         |           |       |
| SCALE: N/A | DWG SIZE A3   | DO NOT SCALE DRAWING | CODE IDENT 68999   | DATE 2019/04/19 | SHT 1/1 | 3190-8097 | REV A |