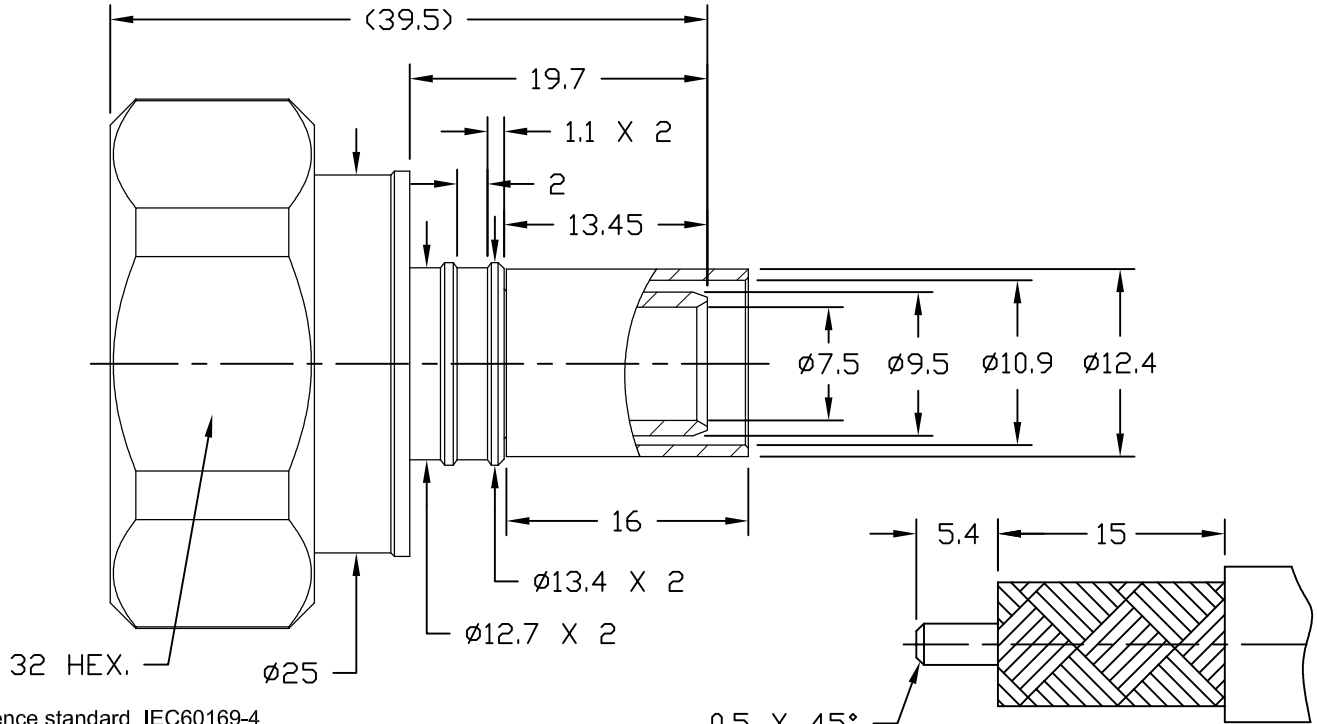


**NOTICE OF PROPRIETARY RIGHTS** THIS DOCUMENT CONTAINS CONFIDENTIAL TECHNICAL DATA, INCLUDING TRADE SECRETS, PROPRIETARY TO TIMES MICROWAVE SYSTEMS. DISCLOSURE OF THIS DATA IS EXPRESSLY CONDITIONED UPON YOUR ASSENT THAT ITS USE IS LIMITED TO USE WITHIN YOUR COMPANY ONLY. ANY OTHER USE IS STRICTLY PROHIBITED WITHOUT THE PRIOR WRITTEN CONSENT OF TIMES MICROWAVE SYSTEMS.

SYM	REVISION DESCRIPTION	DFTM	DATE	APPD	DATE
A	RELEASED FOR PRODUCTION	K.A.M.	2/12/10	J.D.B.	3/1/10
B	CHANGED PER CDC #35214	D.J.H.	7/16/12	J.D.B.	7/25/12



Reference standard IEC60169-4

**I. Electric Performance**

Nominal Impedance(Ω): 50  
 Frequency Range: DC-3GHz  
 VSWR ≤1.15  
 INSERT LOSS: ≤ 0.05  
 Insulation resistance (MΩ) ≥10000  
 Proof voltage (V) 2500  
 Conductor resistance (mΩ) outer conductor <0.2  
 inner conductor <0.8

**II. Mechanical Performance**

Pin torque 25N.m  
 (Nut)Whorl pull 1000N  
 Tensile force(cable-connect) 400N  
 Torsion(cable-connect) 2N.m

**III. Material and plating**

Component	Material	Plating
Inner conductor	Spring Copper	Ag 200 micro inches
Outer conductor	Brass	Copper-tin-zin (Albaloy) 150 micro inches
Ferrule	copper	Copper-tin-zin (Albaloy) 150 micro inches
Nut	Brass	Copper-tin-zin (Albaloy) 150 micro inches
Gasket	Silicone rubber	
Insulator	PTFE	

**IV. Environment**

Temp.range -55°C~+155°C  
 Weather standard IEC 60068 55 / 155/ 56  
 Thermal shock US MIL-STD 202,Meth.107,Cond.B  
 Vibration US MIL-STD 202,Meth.204,Cond.B  
 Shock US MIL-STD 202,Meth.213,Cond.I  
 Waterproofing standard IP67

**V. Assembly: inner conductor installed and outer conductor crimped**

**VI. ROHS Compliant.**

CABLE PREP.  
 USE CST-400  
 (3192-004)  
 .429" HEX.

MATERIAL:	UNLESS OTHERWISE SPECIFIED ALL DIMENSIONS ARE IN mm MACHINED SURFACES FINISH N/A RMS MAX. REMOVE ALL BURRS N/A MAX. BREAK MACHINE CORNERS N/A MAX. FILLET R. TOLERANCES ON DECIMALS .XX ± N/A .XXX ± N/A ANGLES ± N/A FRACTIONS ± N/A	DFTM. K. A. M.	TIMES MICROWAVE SYSTEMS
		DATE 2/12/10	
USED ON: 1-1		CHKD. J. D. B.	<b>EZ-400-716M-X</b> 7/16 MALE FOR LMR-400 CABLE EZ/CRIMP/NO BRAID TRIM
		DATE 3/1/10	
SCALE: N/A	DWG. SIZE A	APPD. J. D. B.	SHEET 1 of 1   SD3190-2524   REV B
		DATE 3/1/10	