

EZA-TE Series Tubular Enclosures



For EZ-SCREEN sensors mounted in washdown environments



Figure 1. Assembled enclosure

Features

- FDA-grade polycarbonate tubing and acetal end caps
- Stainless steel mounting components
- Brackets and fasteners included
- Ideal for high-pressure washdown applications
- NEMA 4X, IP67
- 12 models available to accommodate EZ-SCREEN® sensors.

Banner EZA-TE Series Tubular Enclosures are designed specifically for use with Banner EZ-SCREEN emitters and receivers. The enclosures are constructed of FDA-approved rugged polycarbonate tubing with FDA-approved acetal end caps. The enclosures are mounted with stainless steel mounting brackets and fasteners. The enclosures are available in 12 lengths.

Use of the enclosure affects the sensing range of the sensor used: when used in pairs, range can be reduced by 50%.

Figure 4 shows how the enclosure is assembled. Components are bagged together for easier assembly.

Models

Enclosure Model	Enclosure Height (Figure 2)	For EZ-SCREEN Sensor Models
EZA-TE-150	439 mm (17.3")	SLS..-150
EZA-TE-300	541 mm (21.3")	SLS..-300
EZA-TE-450	744 mm (29.3")	SLS..-450
EZA-TE-600	846 mm (33.3")	SLS..-600
EZA-TE-750	1024 mm (40.3")	SLS..-750
EZA-TE-900	1151 mm (45.3")	SLS..-900
EZA-TE-1050	1354 mm (53.3")	SLS..-1050
EZA-TE-1200	1455 mm (57.3")	SLS..-1200
EZA-TE-1350	1608 mm (63.3")	SLS..-1350
EZA-TE-1500	1760 mm (69.3")	SLS..-1500
EZA-TE-1650	1913 mm (75.3")	SLS..-1650
EZA-TE-1800	2065 mm (81.3")	SLS..-1800



CAUTION... Reduced Sensing Range
Sensing Range is reduced 50% due to tubular construction.



WARNING... Maintain Required Separation

Distance

The light screen produced by the optical safety system sensors must be placed at a minimum safe distance from the dangerous motion of the machine being guarded. This necessary minimum distance is called the separation distance, and is discussed in Section 3 of the appropriate instruction manuals. Failure to calculate this distance correctly and to maintain minimum separation distance can result in serious injury.



Adjacent Reflective Surfaces


A reflective surface located adjacent to the defined area may deflect one or more beams around an object in the defined area. In the worst case, an “optical short circuit” may occur, allowing an object to pass undetected through the defined area (see Figure 2).

This reflective surface may result from shiny surfaces or glossy paint on the machine, the workpiece, the work surface, the floor or the walls. Beams deflected by reflective surfaces are discovered by performing the trip test portion of the final alignment procedure and the periodic checkout procedures (Section 3.4.4 of the EZ-SCREEN Instruction Manual).

To eliminate problem reflections:

- **If possible, relocate the sensors** to move the beams away from the reflective surface(s), being careful to maintain adequate separation distance (see Figure 2).
- **Otherwise, if possible, paint, mask or roughen** the shiny surface to reduce its reflectivity.
- **Where these are not possible (as with a shiny workpiece)**, mount the sensors in such a way that the receiver’s field of view and/or the emitter’s spread of light are restricted.
- **Repeat the trip test** to verify that these changes have eliminated the problem reflection(s). If the workpiece is especially reflective and comes close to the defined area, perform the trip test with the workpiece in place.

It is important to note that using these tubular enclosures will increase (effectively double) the distance “d” shown in Figure 2. The curved surfaces increase the potential angle of the beams. Calculate the position of the emitter and receiver based on the formula shown in Figure 2 (in addition to the separation distance information presented in the EZ-SCREEN manual).



WARNING . . . Avoid Installation Near Reflective Surfaces

Avoid locating the defined area near a reflective surface; it could reflect sensing beam(s) around an object or person within the defined area, and prevent its detection by the EZ-SCREEN System. Perform the trip test, as described in Section 3.4.4 of the EZ-SCREEN Instruction Manual, to detect such reflection(s) and the resultant optical short circuit.

Failure to prevent reflection problems will result in incomplete guarding and could result in serious bodily injury or death.

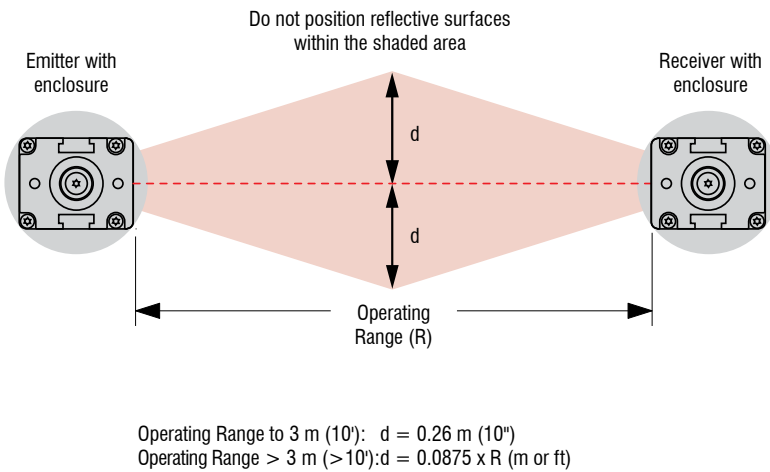


Figure 2. Adjacent reflective surfaces

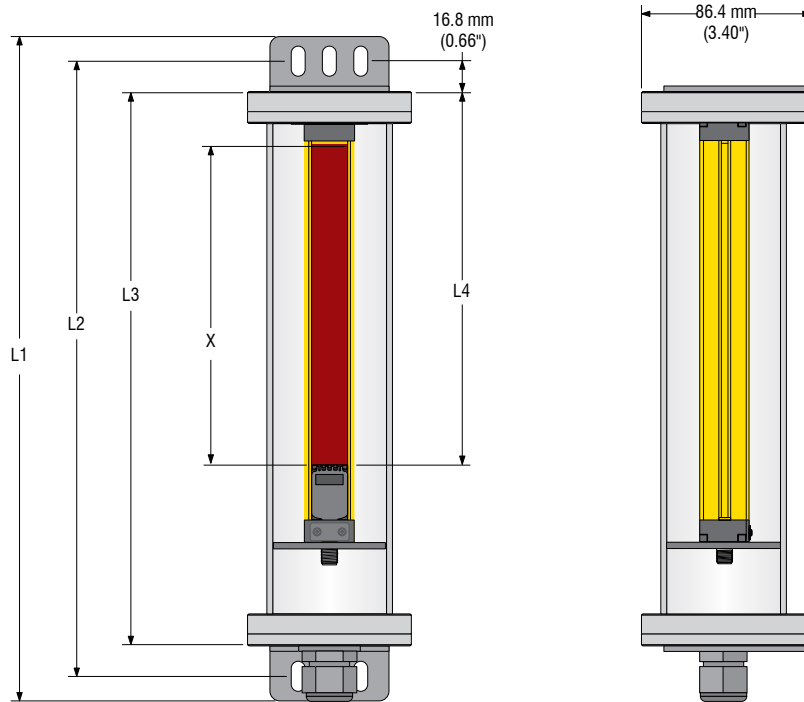


Figure 3. Enclosure/EZ-SCREEN dimensions

Included with each EZA-TE Series Tubular Enclosure	Quantity
Spacer	1
Top End Cap	1
Bottom End Cap	1
Polycarbonate Tube	1
O-Ring (#142)	2
Mounting Bracket	2
M5 x 8 mm Screw	2
M5 x 14 mm Screw	2
M5 Internal Tooth Lockwasher	2
#6-32 Screw	8
#6 Split-Ring Lockwasher	8
#10-32 Screw	4
#10 External Tooth Lockwasher	4

Enclosure Model	L1	L2	L3	L4	X
EZA-TE-150	439 mm (17.3")	414 mm (16.3")	381 mm (15.0")	277 mm (10.9")	150 mm (5.9")
EZA-TE-300	541 mm (21.3")	516 mm (20.3")	483 mm (19.0")	386 mm (15.2")	300 mm (11.8")
EZA-TE-450	744 mm (29.3")	719 mm (28.3")	686 mm (27.0")	538 mm (21.2")	450 mm (17.7")
EZA-TE-600	846 mm (33.3")	820 mm (32.3")	787 mm (31.0")	686 mm (27.0")	600 mm (23.6")
EZA-TE-750	1024 mm (40.3")	998 mm (39.3")	965 mm (38.0")	836 mm (32.9")	750 mm (29.5")
EZA-TE-900	1151 mm (45.3")	1125 mm (44.3")	1092 mm (43.0")	986 mm (38.8")	900 mm (35.4")
EZA-TE-1050	1354 mm (53.3")	1328 mm (52.3")	1295 mm (51.0")	1135 mm (44.7")	1050 mm (41.3")
EZA-TE-1200	1455 mm (57.3")	1430 mm (56.3")	1397 mm (55.0")	1285 mm (50.6")	1200 mm (47.2")
EZA-TE-1350	1608 mm (63.3")	1582 mm (62.3")	1549 mm (61.0")	1435 mm (56.5")	1350 mm (53.1")
EZA-TE-1500	1760 mm (69.3")	1735 mm (68.3")	1702 mm (67.0")	1585 mm (62.4")	1500 mm (59.1")
EZA-TE-1650	1913 mm (75.3")	1887 mm (74.3")	1854 mm (73.0")	1735 mm (68.3")	1650 mm (65.0")
EZA-TE-1800	2065 mm (81.3")	2040 mm (80.3")	2000 mm (79.0")	1885 mm (74.2")	1800 mm (70.9")