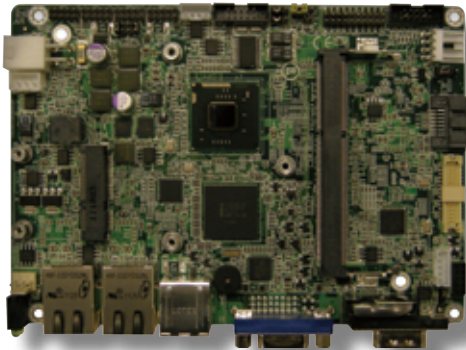


EmCORE-i2501

3.5" Intel® Atom™ N2600/ D2550 Compact Board



Features

- Soldered Onboard Intel® Atom™ N2600 or D2550 Processor
- Single Channel 18/24-bit LVDS and DVI-I Port Support
- Support RS-485 Auto-flow Control
- **Extended Operating Temp.: -20 ~ 70°C**

System

CPU	Soldered onboard Intel® Atom™ N2600 at 1.6GHz or D2550 at 1.86GHz processor
Memory	1 x 204-pin DDR3 SO-DIMM socket, supporting 1066MHz SDRAM up to 4GB (D2550)/ 2GB (N2600)
Chipset	Intel® PCH NM10
BIOS	AMI UEFI BIOS
Watchdog Timer	1~255 levels reset

I/O

Super IO Chipset	Fintek F81866D
Serial Port	2 x COM ports (1 x RS-232 port, 1 x RS-232/422/485 port selectable)
USB Port	6 x USB 2.0 ports
Digital I/O	8-bit programmable Digital Input/Output
Expansion Bus	1 x Mini-card socket
Storage	1 x Serial ATA port with 300MB/s HDD transfer rate 1 x CFast socket or soldered onboard 8GB NANDrive (alternatively)
Ethernet Chipset	2 x Intel® 82583V PCIe GbE controllers
Audio Interface	Realtek ALC662 5.1 Channel HD Audio CODEC, Mic-in/ Line-in/ Line-out

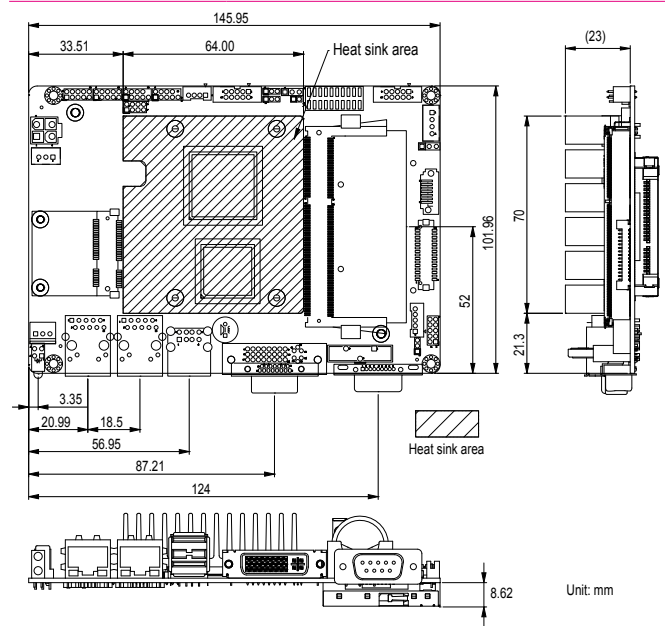
Display

Graphics Chipset	Integrated Intel® Graphics Media Accelerator 3650/ 3600
Graphics Interface	Analog RGB supports resolution up to 1920x1200@60Hz DVI-I: supports Analog RGB up to 1920 x 1200 @60Hz or DVI up to 1920 x 1200 @60Hz Single Channel: - 18-bit LVDS for EmCORE-i2501-N26 - 24-bit LVDS for EmCORE-i2501-D25 Support Dual Independent Displays

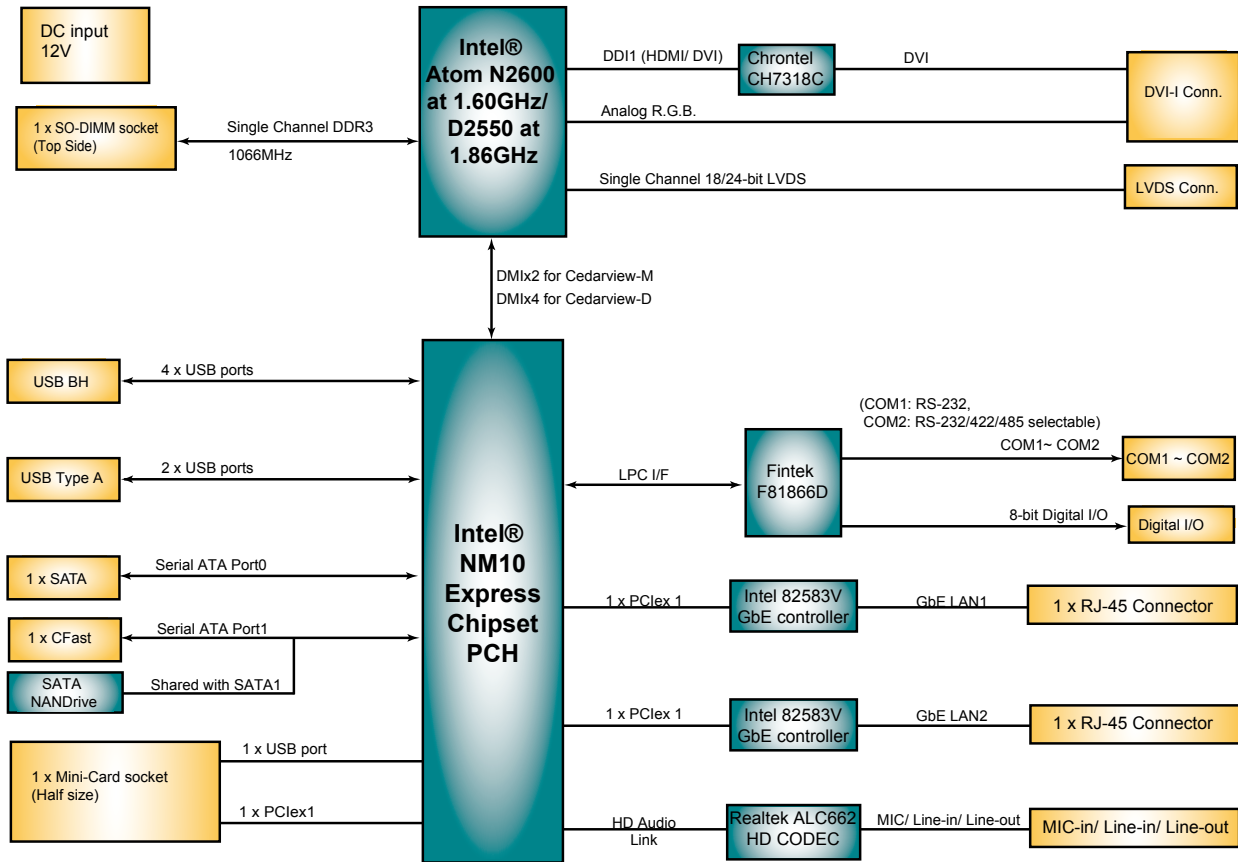
Mechanical & Environmental

Power Requirement	+12V DC
Power Consumption	1.26A@+12V w/ N2600 (Typical) 1.42A@+12V w/ D2550 (Typical)
Operating Temp.	-20 ~ 70°C (-4 ~ 158°F)
Operating Humidity	10 ~ 95% @ 70°C (non-condensing)
Dimensions (L x W)	146 x 102 mm (5.7" x 4.0")

Dimensions



Block Diagram



Ordering Information

EmCORE-i2501-N26	Intel® Atom™ N2600 3.5" Compact Board with CFast socket
EmCORE-i2501D-N26 (BTO)	Intel® Atom™ N2600 3.5" Compact Board with 8GB NANDrive
EmCORE-i2501-D25	Intel® Atom™ D2550 3.5" Compact Board with CFast socket
EmCORE-i2501D-D25 (BTO)	Intel® Atom™ D2550 3.5" Compact Board with 8GB NANDrive

Optional Accessories

CBK-06-2501-00	Cable Kit
	<ul style="list-style-type: none"> • 1 x COM port cable • 1 x audio cable • 2 x USB cables • 1 x SATA cable • 1 x SATA power cable