

# EmCORE-i2709

## Intel® Atom™ N270 3.5" Compact Board



### Features

- **Fanless Design**
- Soldered Onboard Intel® Atom™ N270 Processor
- Dual Gigabit Ethernet Ports
- Dual Channels 24-bit LVDS, TV-out, and Analog RGB
- Dual Independent Displays
- **Extended Operating Temp.:-20 ~ 70°C**

### System

<b>CPU</b>	Intel® Atom™ N270 1.6GHz processor with 533MHz FSB
<b>Memory</b>	1 x 200-pin DDR2 SO-DIMM socket, supporting 400/533MHz SDRAM up to 2GB
<b>Chipset</b>	Intel® 945GSE + ICH7M
<b>BIOS</b>	AMI PnP Flash BIOS
<b>Watchdog Timer</b>	1~255 levels reset

### I/O

<b>I/O Chip</b>	Winbond W83627HG
<b>Serial Port</b>	2 x COM ports (1 x RS-232, 1 x RS-232/422/485 selectable)
<b>Parallel Port</b>	SPP/EPP/ECP mode selectable
<b>USB Port</b>	6 x USB 2.0 ports
<b>KB/MS</b>	6-pin wafer connector for keyboard and mouse (PS/2 standard via Y-cable)
<b>Digital I/O</b>	8-bit programmable Digital Input/Output

<b>Expansion Bus</b>	1 x Mini PCI socket 1 x Mini-card socket 1 x LPC (Low Pin Count) connector
----------------------	--

<b>Storage</b>	1 x Ultra ATA, supporting 2 IDE devices 2 x Serial ATA ports with 150MB/s HDD transfer rate
----------------	--

<b>Ethernet Chipset</b>	2 x Realtek RTL8111 PCIe GbE controllers
-------------------------	--

<b>Audio Interface</b>	Realtek ALC655 6 Channel AC97 Audio Codec, Mic-in/Line-in/Line-out
------------------------	--

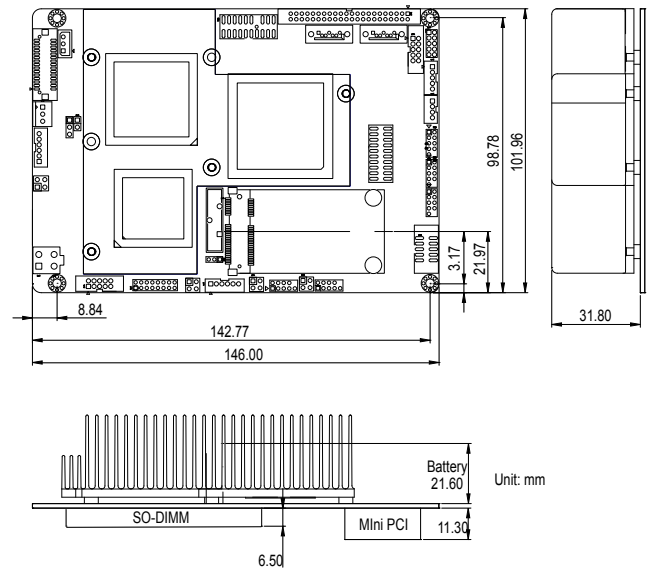
### Display

<b>Graphics Chipset</b>	Integrated Intel® Graphics Media Accelerator 950
<b>Graphics Interface</b>	Analog RGB: support resolution up to 2048 x 1536 @60Hz LCD: Dual Channels 24-bit LVDS, resolution up to 1600 x 1200 TV-out: NTSC/PAL, resolution up to 1024 x 768 Support Dual Independent Displays

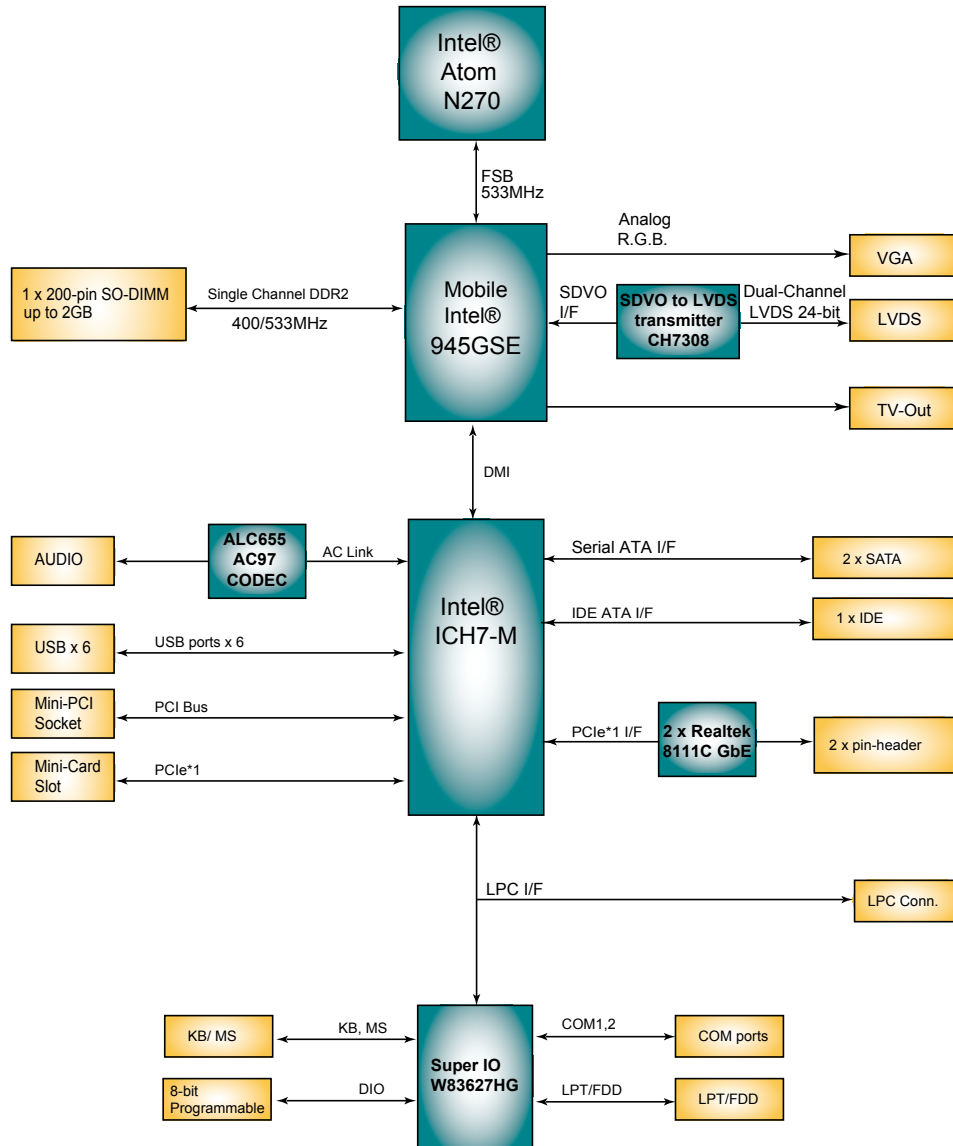
### Mechanical & Environmental

<b>Power Requirement</b>	+12V input
<b>Power Consumption</b>	1.12A@+12V (Typical)
<b>Operating Temp.</b>	-20 ~ 70°C (4 ~ 158°F)
<b>Operating Humidity</b>	10 ~ 95% @ 70°C (non-condensing)
<b>Dimension (L x W)</b>	146 x 102 mm (5.7" x 4")

### Dimensions



## Block Diagram



## Ordering Information

**EmCORE-i2709** Intel® Atom™ N270 1.6GHz 3.5" Compact Board

## Optional Accessories

**FCDB-1293** 4 x COM ports, 8-bit digital I/O daughterboard

Page 130

**CBK-11-2709-00**

- Cable kit
- 1 x audio cable
  - 2 x COM port cables
  - 1 x IDE cable
  - 1 x KB & MS cable
  - 2 x LAN cables
  - 1 x LPT to FDD cable
  - 1 x Parallel Port cable
  - 2 x SATA cables
  - 1 x TV-out cable
  - 3 x USB cables
  - 1 x VGA cable