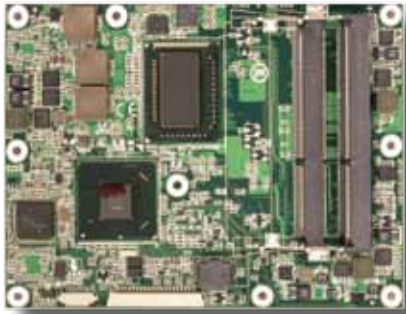


EmETXe-i67M1/i65M1



Intel® 2nd Gen. COM Express Basic Type 2 CPU Module



Features

- Soldered Onboard 2nd Gen. Intel® Core™ i7-i2610UE/ Celeron® 827E Processor
- Integrated Gigabit Ethernet
- Dual Channels 24-bit LVDS, Analog RGB, and DDI Port
- Support Dual Independent Displays
- RAID 0, 1, 5, 10 Supported (only for EmETXe-i67M1-2610UE)
- **Extended Operating Temp.: -20 ~ 70°C**

System

CPU	Soldered onboard Intel® Core™ i7-2610UE 1.5GHz or Celeron® 827E 1.4GHz processor
Memory	2 x DDR3 SO-DIMM sockets, supporting SDRAM up to 8GB
Chipset	Intel® PCH QM67 for EmETXe-i67M1-2610UE Intel® PCH HM65 for EmETXe-i65M1-827E
BIOS	AMI UEFI BIOS
Watchdog Timer	1~255 levels reset

I/O

USB Port	8 x USB 2.0 ports
Digital I/O	8-bit programmable Digital Input/Output
Expansion Bus	1 x PCIe x16 lanes 5 x PCIe x1 lanes 4 x PCI masters LPC (Low Pin Count) interface
Storage	4 x Serial ATA ports: - 2 ports with 600MB/s HDD transfer rate - 2 ports with 300MB/s HDD transfer rate
Ethernet Chipset	1 x Intel® 82583V PCIe GbE Controller
Audio	HD Audio Link

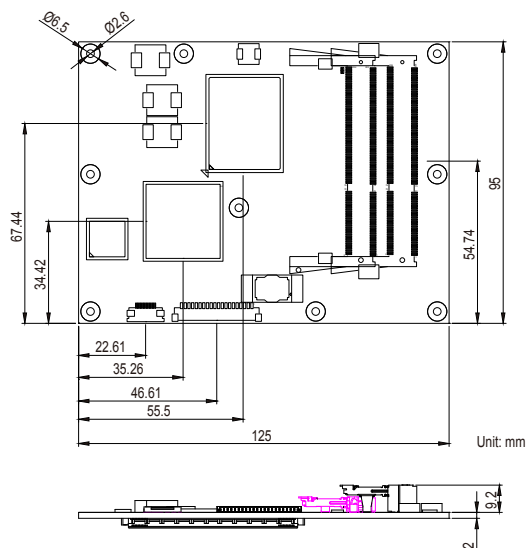
Display

Graphics Chipset	Integrated Intel® HD Graphics 3000
Graphics Interface	Analog RGB supports resolution up to 2048 x 1536 @60Hz LCD: Dual Channels 24-bit LVDS, resolution up to 1920 x 1600 Support DDI port connector on CPU module Support Dual Independent Displays

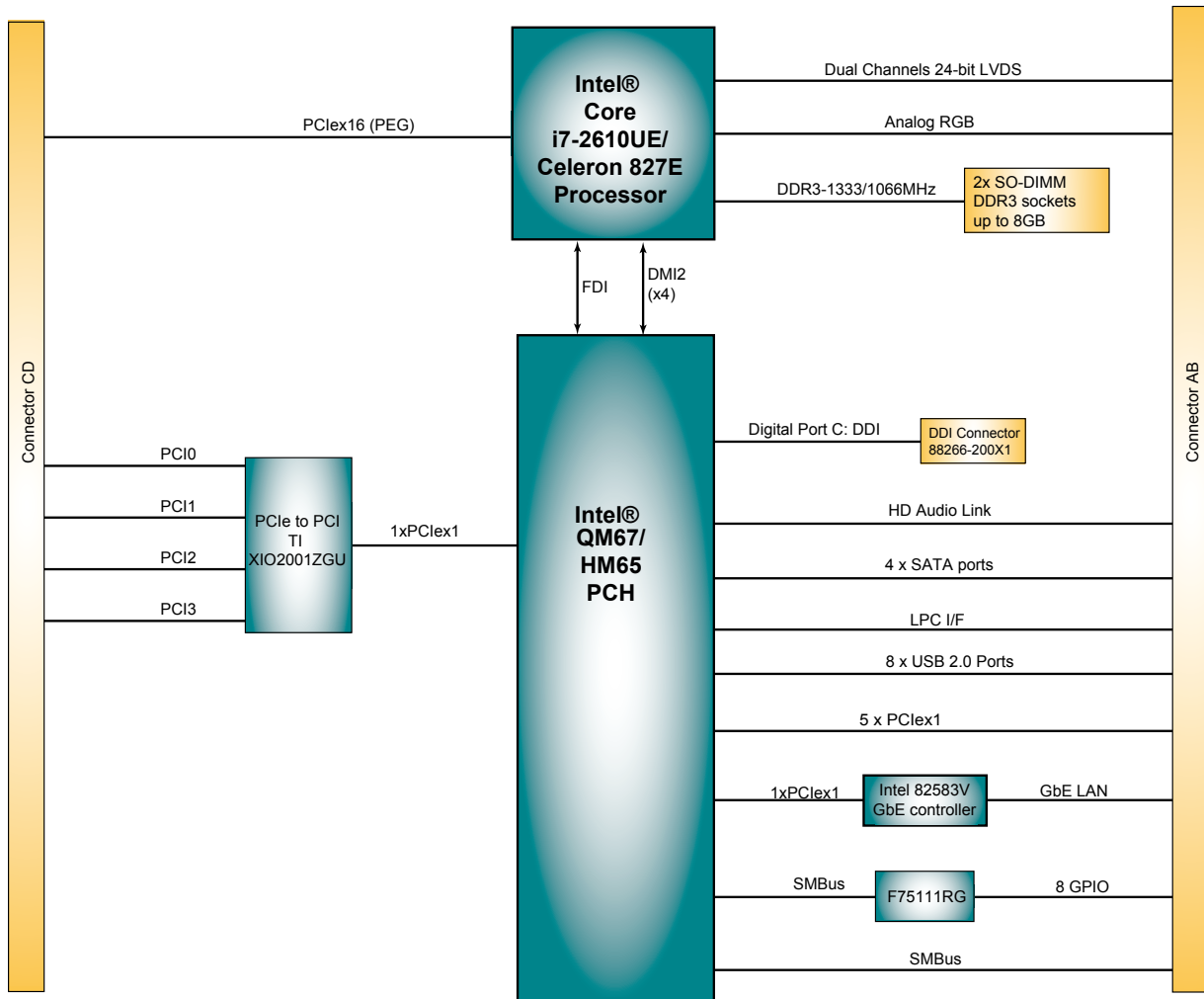
Mechanical & Environmental

Power Requirement	+12V, 5VSB
Power Consumption	2.12A@+12V with i7-2610UE (Typical)
Operating Temp.	-20 ~ 70°C (-4 ~ 158°F)
Operating Humidity	10 ~ 95% @ 70°C (non-condensing)
Dimension (L x W)	125 x 95 mm (4.9" x 3.7")

Dimensions



Block Diagram



Ordering Information

EmETXe-i67M1-2610UE Intel® Core™ i7-2610UE/ QM67 COM Express CPU module

EmETXe-i65M1-827E Intel® Celeron® 827E/HM65 COM Express CPU module

Optional Accessories

FCDB-1424 DisplayPort daughter board

Page 131

HS-67M1-F2 Heat spreader (125x95x11mm)

HS-0000-W4 Universal evaluation heatsink kit w/ thermal pad (dimension: 125x95x22mm, only used on a flat type heatspreader)

PBE-1700-W R1.3 COM Express type 2 evaluation board in ATX form factor w/ W83627 Super IO

Page 64

CBK-04-1700-00

- Cable Kit
- 1 x SATA cable
- 1 x COM port cable
- 1 x FDD cable
- 1 x IDE cable