

EmETXe-i9652

Intel® Core™ 2 Duo COM Express Basic Type 2 CPU Module



Features

- Support Intel® Socket P Mobile Processors
- Integrated Gigabit Ethernet
- Support Memory Capacity up to 4GB
- Dual Channels 24-bit LVDS, and Analog RGB
- **Extended Operating Temp.: -20 ~ 70°C**

System

CPU	Intel® Core™ 2 Duo processor, supporting FSB up to 800MHz Intel® Celeron® M processor with 533/667MHz FSB
Memory	2 x 200-pin DDR2 SO-DIMM sockets, supporting 533/667MHz SDRAM up to 4GB
Chipset	Intel® GME965 + ICH8M
BIOS	AMI PnP Flash BIOS

I/O

USB Port	8 x USB 2.0 ports
Digital I/O	8-bit programmable Digital Input/Output
Expansion Bus	5 x PCIe x1 lanes
	1 x PCIe x16 lanes (graphics only)
	4 x PCI masters LPC (Low Pin Count) interface
Storage	1 x Ultra ATA, supporting 2 IDE devices
	3 x Serial ATA ports with 300MB/s HDD transfer rate
Ethernet Chipset	1 x Realtek RTL8111 PCIe GbE controller
Audio	HD Audio Link

Display

Graphics Chipset	Integrated Intel® Graphics Media Accelerator X3100 Analog RGB supports resolution up to 2048 x 1536 @60Hz
Graphics Interface	TV-out supports NTSC/PAL up to HDTV 1080P LCD: Dual Channels 24-bit LVDS

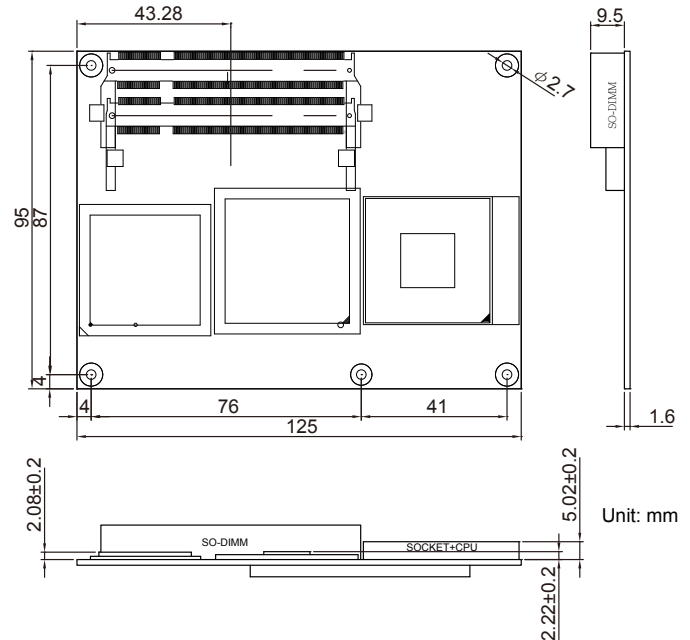
Recommended CPU List:

T7500 2.2GHz Core™ 2 Duo Processor
550 2.0GHz Celeron® M Processor

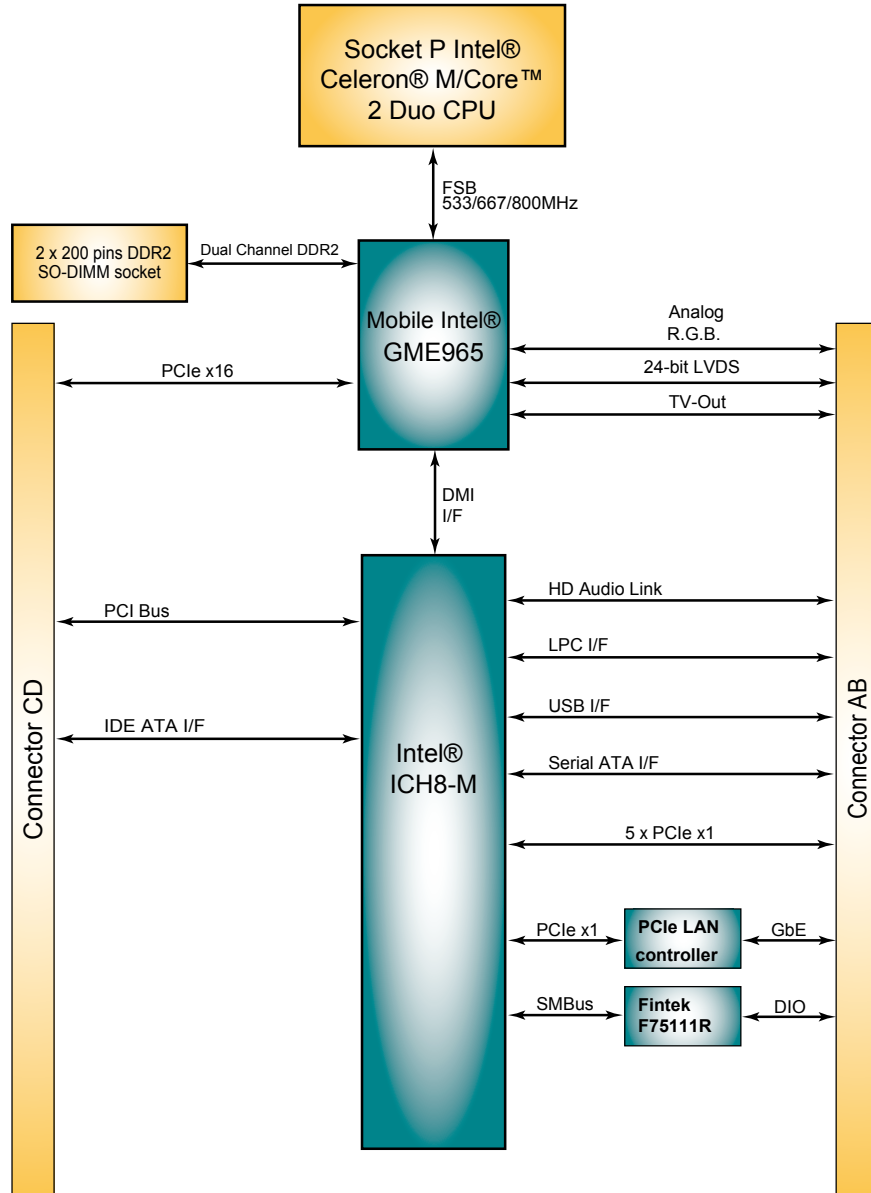
Mechanical & Environmental

Power Requirement	+12V, 5VSB
Power Consumption	2.99A@+12V with Core™ 2 Duo T7500 (Typical)
Operating Temp.	-20 ~ 70°C (-4 ~ 158°F)
Operating Humidity	10 ~ 95% @ 70°C (non-condensing)
Dimension (L x W)	125 x 95 mm (4.9" x 3.7")

Dimensions



Block Diagram



Ordering Information

EmETXe-i9652 Socket P Intel® Core™ 2 Duo/Celeron® M COM Express CPU module

Optional Accessories

HS-9455-C3 Heatsink w/ fan for socket type CPU module (125 x 96 x 39 mm)

PBE-1700-W R1.3 COM Express type 2 evaluation board in ATX form factor w/ W83627 Super IO

Page 64

CBK-04-1700-00

Cable kit

- 1 x SATA cable
- 1 x COM port cable
- 1 x FDD cable
- 1 x IDE cable