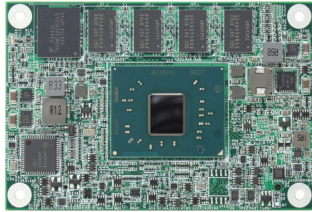


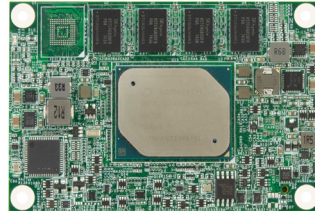
# EmNANO-i2402

## Intel Apollo Lake SoC Processor Mini COM Express® Type 10 CPU Module

### EmNANO-i2402 N series



### EmNANO-i2402 E series



### Features

- Soldered onboard Intel Apollo Lake SoC Processor
- Intel Ethernet controller i21x series
- Support Intel® Solid State Drive (SSD) Embedded "E SKU's"
- Single Channel 24-bit LVDS and 1 x DDI port

### System

CPU	Soldered onboard Intel® Pentium® N4200 2.5GHz/ Celeron® N3350 2.4GHz/ Atom™ x7-E3950 1.6GHz/ x5-E3940 1.6GHz/ x5-E3930 1.3GHz processor
Memory	Soldered onboard 4GB DDR3L SDRAM, upgradable to 8GB
BIOS	AMI UEFI BIOS

### I/O

USB Port	10 x USB ports: - 8 x USB 2.0 ports(Support USB2.0 only) - 2 x USB 3.0 SuperSpeed ports
Expansion Bus	4 x PCIe1 lanes, I2C Interface, SDIO
Storage	2 x Serial ATA ports Soldered onboard eMMC 5.0 up to 32GB (OEM Request)
Ethernet Chipset	1 x Intel® Ethernet controller i21x series
Audio	HD audio link

### Display

Graphic Chipset	Intergrated in Intel® Gen9 graphic
Graphic Interface	LCD: Single Channel 24-bit via eDP to LVDS NXP PTN3460 1 x DDI port

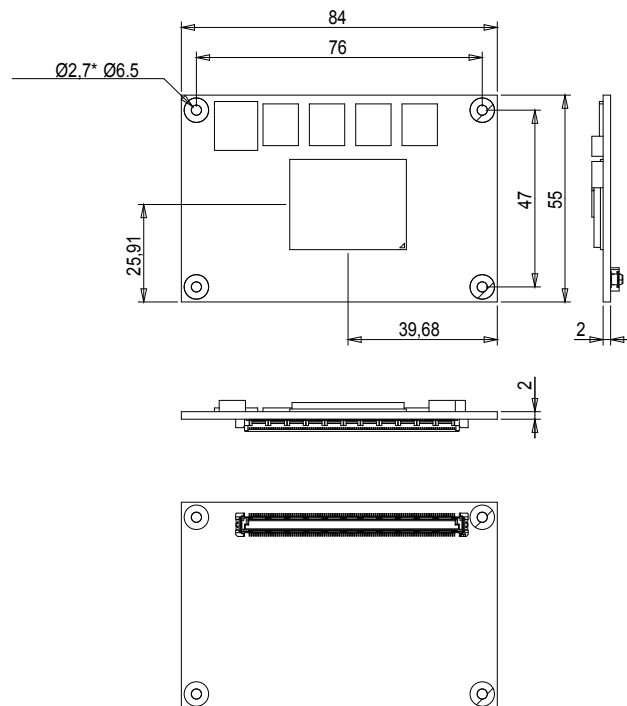
### OS support

Windows 10 32-bit/64-bit  
Linux: Ubuntu

### Mechanical & Environmental

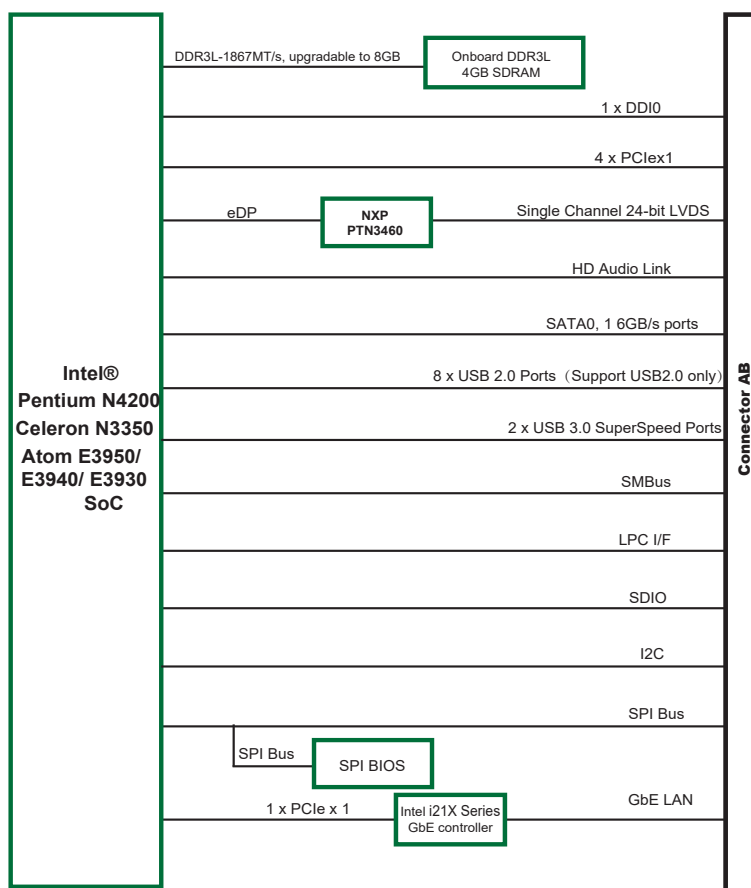
Power Requirement	5V/12V Auto detect
Power Consumption	1.57A@12V with N4200 (Typical with PBN-9007)
Operating Temp.	-20 ~ 85°C (-4 ~ 185°F) -40 ~ 85°C (-40 ~ 185°F) for EmNANO-i2402-WT series
Operating Humidity	10 ~ 95% @ 85°C (non-condensing)
Dimensions (L x W)	84 x 55 mm (3.3" x 2.17")

### Dimensions



Unit : mm

## Block Diagram



## Ordering Information

EmNANO-i2402-N4200-4GB	Intel® Pentium N4200 COM Express® Type 10 CPU Module w/ 4GB memory soldered on module
EmNANO-i2402-N3350-4GB	Intel® Celeron N3350 COM Express® Type 10 CPU Module w/ 4GB memory soldered on module
EmNANO-i2402D-N4200-4GB (OEM Request)	Intel® Pentium N4200 COM Express® Type 10 CPU Module w/ 4GB memory soldered on module, w/ 32GB eMMC
EmNANO-i2402D-N3350-4GB (OEM Request)	Intel® Celeron N3350 COM Express® Type 10 CPU Module w/ 4GB memory soldered on module, w/ 32GB eMMC
EmNANO-i2402-WT-E3950-4GB	Intel® Atom® x7-E3950 COM Express® Type 10 CPU Module w/ 4GB memory soldered on module, -40~85°C
EmNANO-i2402-WT-E3940-4GB	Intel® Atom® x5-E3940 COM Express® Type 10 CPU Module w/ 4GB memory soldered on module, -40~85°C
EmNANO-i2402-WT-E3930-4GB	Intel® Atom® x5-E3930 COM Express® Type 10 CPU Module w/ 4GB memory soldered on module, -40~85°C

## Optional Accessories

PBN-9007	PBN-9007 COM Express Mini Type 10 carrier board
HS-2402-F1-T (N Series)	Heat Spreader,AL,84*55*11mm,W/THREADED,W/PAD,ACE (for EmNANO-i2402-N4200/ N3350)
HS-2402-F1-NT (N Series)	Heat Spreader,AL,84*55*11mm,THROUGH HOLE,W/PAD,ACE (for EmNANO-i2402-N4200/ N3350)
HS-2402-F1-T (E Series)	Heat Spreader,AL,84*55*11mm,W/THREADED,W/PAD,ACE (for EmNANO-i2402-E39x0)
HS-2402-F1-NT (E Series)	Heat Spreader,AL,84*55*11mm,THROUGH HOLE,W/PAD,ACE (for EmNANO-i2402-E39x0)
CBK-05-9007-00	PBN-9007 cable kit
	1 x USB cable
	1 x Serial port cable
	1 x SATA cable
	1 x SATA Power cable
	1 x PS/2 cable