



**EVALAG6100 REV2**

**Ag6100 Evaluation Board  
User Manual**

Document Rev 1.0 – July 2015

## 1 Table of Contents

<b>1</b>	<b>Table of Contents</b>	<b>1</b>
<b>2</b>	<b>Table of Figures</b>	<b>1</b>
<b>3</b>	<b>Introduction</b>	<b>2</b>
<b>4</b>	<b>Board Description</b>	<b>2</b>
4.1	<i>Power In</i> .....	3
4.2	<i>Data In</i> .....	3
4.3	<i>Data &amp; Power Out</i> .....	3
4.4	<i>Status Output</i> .....	4
<b>5</b>	<b>Equipment Required</b>	<b>4</b>
<b>6</b>	<b>Using the Board</b>	<b>5</b>
6.1	<i>Typical Application</i> .....	5

## 2 Table of Figures

Figure 1:	Board Layout.....	2
Figure 2:	Output Power on 1&2 and 3&6.....	3
Figure 3:	Output Power on 4&5 and 7&8.....	3
Figure 4:	Basic set-up .....	4
Figure 5:	Example set-up .....	5

### 3 Introduction

This manual is intended to be a guide to using the “EVALAG6100 Rev 2 evaluation board” with a Silvertel Ag6100 Power Sourcing Equipment (PSE) module.

### 4 Board Description

The EVALAG6100 evaluation board takes power in on J3, data in on J100 and transmits data & power out on J101 (see Figure 1).

The board is design to handle 10/100/1000/10GBASE-T Ethernet data rates.

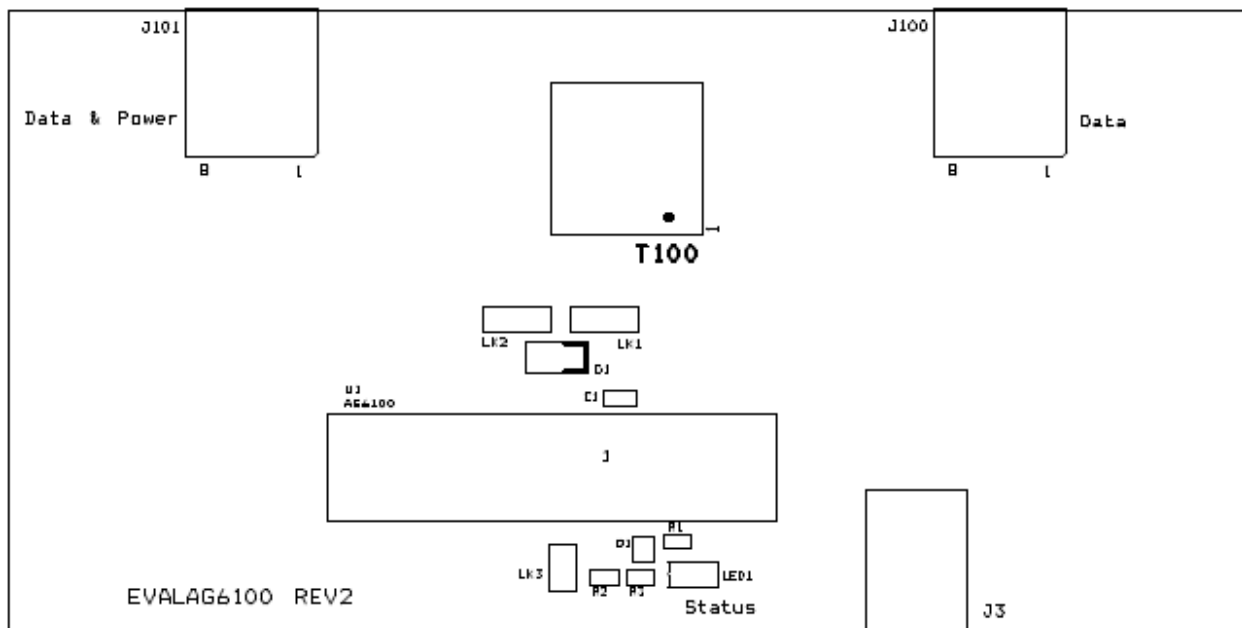


Figure 1: Board Layout

## 4.1 Power In

The Ag6100 evaluation board is powered from a 44V to 57V bench power supply, connected to J3 (centre pin positive).

## 4.2 Data In

Input data is connected to the evaluation board via J100.

## 4.3 Data & Power Out.

The output data & PoE power is transmitted from the evaluation board via J101.

The output PoE power can be connected to the centre taps of the data transformer by setting the links LK1 (positive) and LK2 (negative).

Figure 2 shows the link positions to connect power to the centre taps of the pairs 1&2 and 3&6.

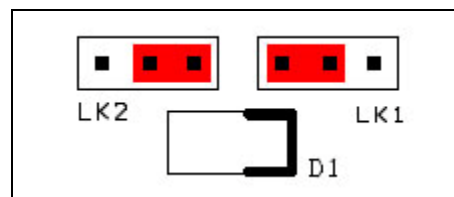


Figure 2: Output Power on 1&2 and 3&6

Figure 3 shows the link positions to connect power to the centre taps of the pairs 4&5 and 7&8.

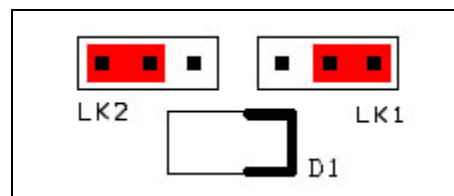


Figure 3: Output Power on 4&5 and 7&8

## 4.4 Status Output

The Status output pin is connected to an LED drive circuit. This can be isolated by removing the link LK3.

## 5 Equipment Required

Figure 4 shows the basic set up using the Ag6100 evaluation board.

The equipment required: -

- 44V to 57V Power Supply
- Powered Device
- CAT5e cables
- Input power cable

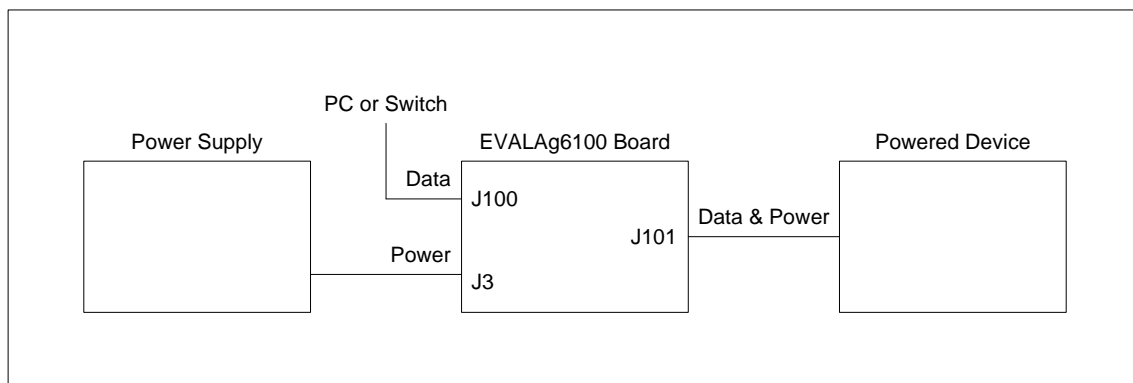


Figure 4: Basic set-up