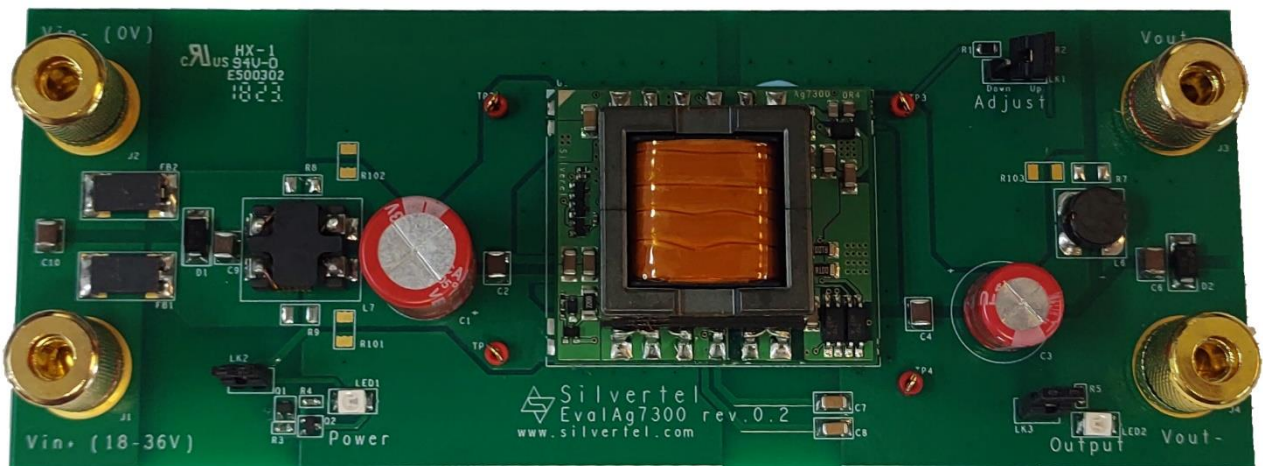




Evaluation Board User Manual



EvalAg7300 Evaluation Board User Manual

Version 1.0 – May 2023

Table of Contents

1	Kit Contents	3
2	Board Layout	3
2.1	Link Settings	3
2.2	Input Output Connections.....	3
3	Introduction	3
4	Input	4
4.1	Supply.....	4
4.2	Output Voltage Adjust	4
5	Output	4
5.1	Output Power LED	4
6	Test Setup	5
7	Additional information	5
8	Schematic	6
9	Bill of Materials	7
10	Layer Routing	8

Table of Figures

Figure 1:	EvalAg7010 Board Layout.....	3
Figure 2:	Basic Test Setup	5
Figure 3:	IEEE802.3bt PSE Test Setup.....	5
Figure 4:	Schematic.....	6
Figure 5:	Bill of Materials	7
Figure 6:	Top Layer Routing.....	8
Figure 7:	Bottom Layer Routing.....	8

1 Kit Contents

- EvalAg7300 Evaluation Board
- Ag7300 Soldered to Evaluation Board

2 Board Layout

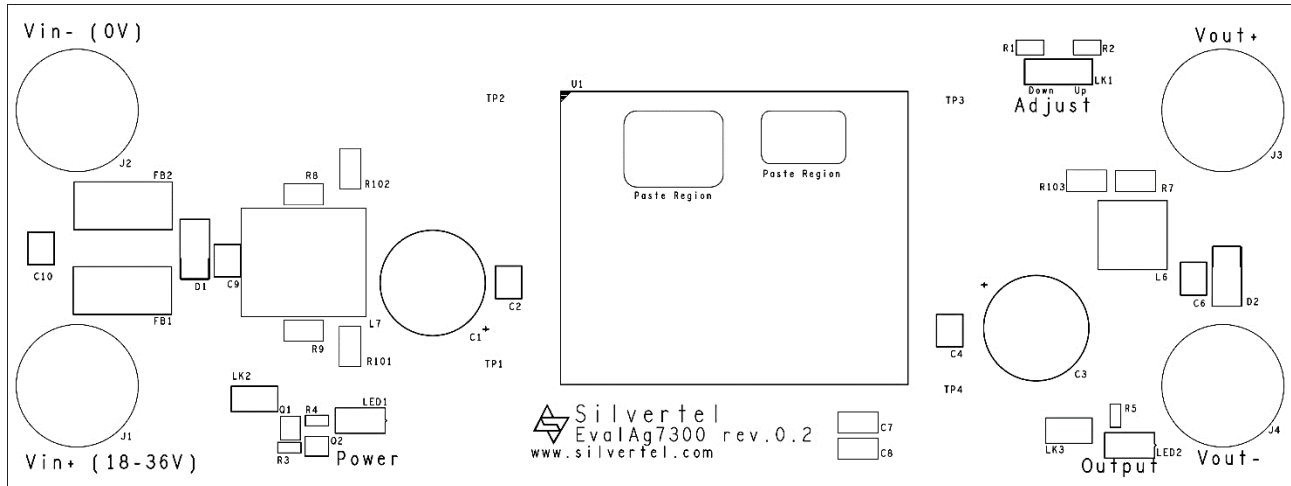


Figure 1: EvalAg7300 Board Layout

2.1 Link Settings

- LK1 – Output voltage Adjust
- LK2 – Input Power LED Enable
- LK3 – Output Power LED Enable

2.2 Input Output Connections

- J2 & J3 – Supply Binding Posts
- J3 & J4 – Load Output Binding Posts

3 Introduction

This Manual is a guide to using the EvalAg7300 evaluation board fitted with a Silverfel Ag7300 High Power Isolated Boost Converter module for use in a wide variety of point of load (PoL) and DC-DC converter applications, including IEEE802.3bt Power over Ethernet (PoE) Power Sourcing Equipment (PSE) applications.

While this evaluation board has been designed following Silverfel's recommendations, it should not be considered as a reference design as it features circuitry included solely for the purposes of evaluation that are not be required for proper operation.

4 Input

4.1 Supply

The EvalAg7300 evaluation board should be powered by a DC Power supply connected to J1 and J2 binding posts using 4mm Banana connectors, bare wire, or fork connectors.

This supply should deliver between 18-36V. The Ag7300 can output up to 120W of continuous output power, at this output power the Ag7300 will dissipate up to 16W. Any power source should be suitably rated for the desired output power, the power dissipation of the Ag7300 and any transmission power losses. For example, a 24V supply should be capable of supplying up to 7A if the full output power is to be drawn.

4.2 Output Voltage Adjust

The output voltage of the Ag7300 module can be adjusted up or down by changing the location of the jumper LK1. The EvalAg7300 is fitted with two adjust resistors. The down adjust resistor R1, is fitted with a 510k Ω resistor. And the up adjust resistor R6, which is fitted with a 0 Ω resistor to allow for the maximum adjust change of the Ag7300LPB module.

With no jumper present on LK1, the module will default to its nominal 55.5V output.

To increase the output voltage, insert the jumper to LK1 in the left position, so that the link is between the middle and rightmost pin.

To reduce the output voltage, insert a jumper to LK1 in the right position, so that the link is between the middle and leftmost pin.

If the output voltage needs to be set to a different value (within the adjustment range) then connect different value resistors in place of R1 (510k Ω) or R2 (0 Ω) and connect the jumper into the corresponding link setting.

Note: ensure that the down adjust resistor is not shorted when connecting a module that has a higher stated resistance in the datasheet, as this could cause damage to the module.

5 Output

The Ag7300 will output 48V-58V and can deliver a continuous output current of 2.2A, for up to 120W of continuous power, the peak output power may be reduced as a result of the power source or operating conditions the module is operating in.

5.1 Output Power LED

LED2 illuminates when the module is outputting. This can be disabled by removing the jumper link LK3, removing this link does not affect the power being supplied by the Ag7300LPB.

6 Test Setup

Figures 2 and 3 show typical test setups using the EvalAg7300 evaluation board.

The equipment required: -

- EvalAg7300 fitted with Silvertel's Ag7300LPB Module
- 18-36V bench power supply Optional Equipment capable of greater than 140W

Optional Equipment

- EvalAg6800 or other IEEE802.3 compliant PSE
- EvalAg5800 or other IEEE802.3 compliant PD
- Data source e.g. PC
- CAT5e or greater cables

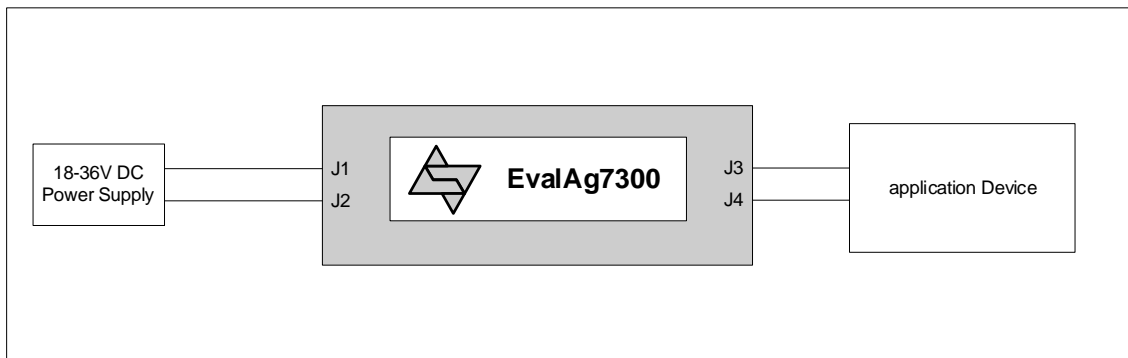


Figure 2: Basic Test Setup

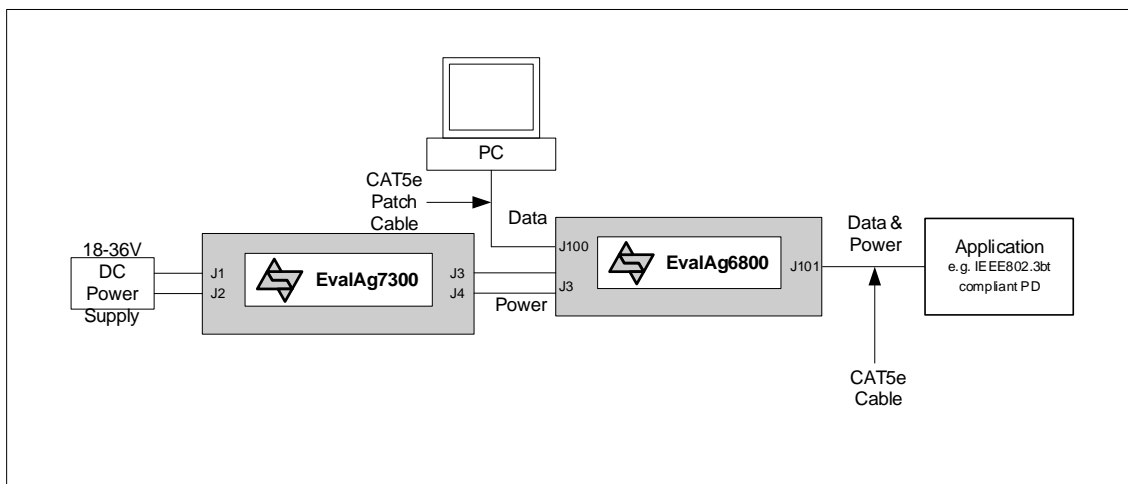


Figure 3: IEEE802.3bt PSE Test Setup

7 Additional information

Full operating conditions and feature set can be found in the Ag7300 product datasheet, available from www.silvertel.com.

8 Schematic

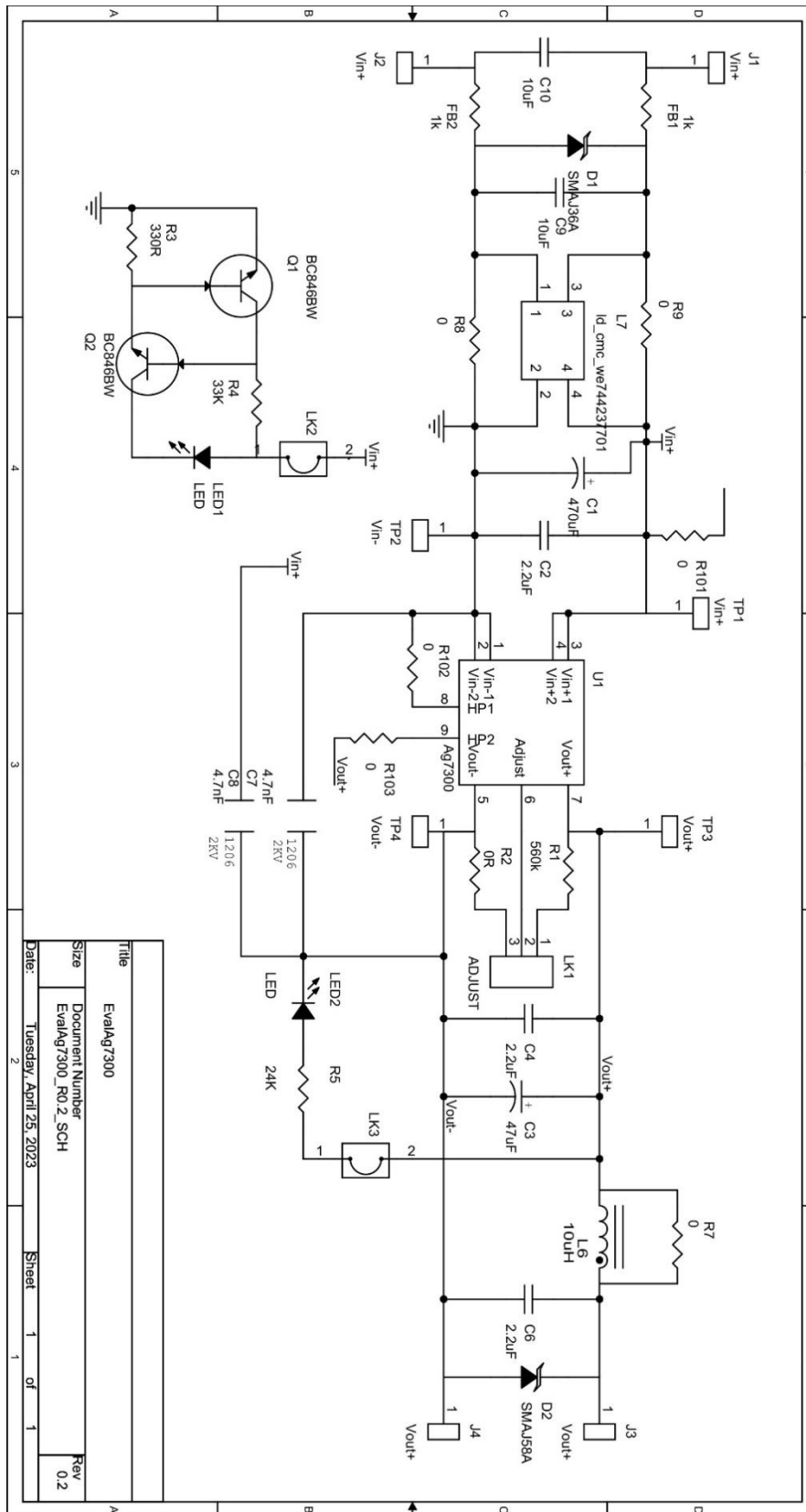


Figure 4: Schematic

9 Bill of Materials

EvalAg7300 Eval Board - Rev.1									
Strictly Private and Company Confidential									
Silver Parts	Description	Value	Location:	Qty.	Package:	Rating:	Tol:	Supplier P1 NO:	Comments:
	PD Module	Ag7300	U1	1	Custom	-	-	Silver Telecom Part	
	Transistor NPN 60V Single	BC846BW	Q1,Q2	2	SOT323	-	-	Infrared or NXP Only	
	Protection Diode	SMAJ36A	D1,	1	SMA	-	-	Würth - 824 500 581 Vishay, ST Micro, Diodes Inc	
	Protection Diode	SMAJ58A	D2	1	SMA	-	-	Würth - 150 141 RS7 310 0	
	SMD LED	RED LED	LED1, LED2	2	SMT	-	-	Bourns SDR0805-8R2MIL	
	Inductor	8.2uH	L6	1	SMT	>2.5A	-	Würth: 74423701	
	Common Mode Choke	9uH	L7	1	SMT	≥ 7A	25%	Land: 28P0181-1SR-10	
	Ferrite Chip	≥1150@100MHz	FB1, FB2	2	0805	≥ 7A	25%	Parasonic, Samsung, NIC, TDK, Kennel, AVX, Würth:86020778021	Pitch: 5mm
	Capacitor Electrolytic	470uF	C1	1	Through Hole	50V	20%	Parasonic, Samsung, NIC, TDK, Kennel, AVX, Würth:860040875002	Pitch: 5mm
	Capacitor Electrolytic	470uF	C3	1	Through Hole	100V	20%	Samsung, NIC, TDK, Murata, Kennel, AVX, Würth	
	Ceramic multi-layer	4.7nF	C7, C8	2	1206	2000V	20%	Samsung, NIC, TDK, Murata, Kennel, AVX, Würth	
	Ceramic multi-layer	2.2uF	C2, C4, C6	3	1210	50V	20%	Samsung, NIC, TDK, Murata, Kennel, AVX, Würth	
	Ceramic multi-layer	10uF	C9, C10	2	1210	100V	20%	Samsung, NIC, TDK, Murata, Kennel, AVX, Würth	
	Resistor - 0805	560K	R1	1	0805	125mW	1%	Royal Ohm, Eurohm & Yageo	
	Resistor - 0805	0R	R2	1	0805	125mW	1%	Royal Ohm, Eurohm & Yageo	
	Resistor - 0805	330R	R3	1	0603	125mW	1%	Royal Ohm, Eurohm & Yageo	
	Resistor - 0805	33K	R4	1	0603	125mW	1%	Royal Ohm, Eurohm & Yageo	
	Resistor - 0805	24K	R5	1	0603	125mW	1%	Royal Ohm, Eurohm & Yageo	
	Resistor - 0805	0R	R7-9, R101-103	0	1206	250mW	1%	-	
	Red Connector	Binding Post	J1, J3	1	Screw Mount	-	-	Switch Electronics 354147	
	Black Connector	Binding Post	J2, J4	1	Screw Mount	-	-	Switch Electronics 354146	
	Test Point	1 Way	TP1-4	5	Through Hole	-	-	Multicomp TES1-1(R)	
	Link	3 Way	LK1	1	Through Hole	-	-	Toby LHCS-03S-R-060-034, Würth 61300311121	
	Link	2 Way	LK2, LK3	2	Through Hole	-	-	Valcon LHCS-02S-R-060-034, Würth 61300211121	
	Test point	1 Way	TP1-4	0	Through Hole	-	-	Valcon, Multicomp, Keystone	
	PCB	Rev.1 - 154.3mm x 58.42mm	LK1 - LK3	3	-	-	-	-	
	Jumper Links	Links	-	4	-	-	-	-	
	Feet	Feet	-	4	-	-	-	-	
			Total	42					

Figure 5: Bill of Materials