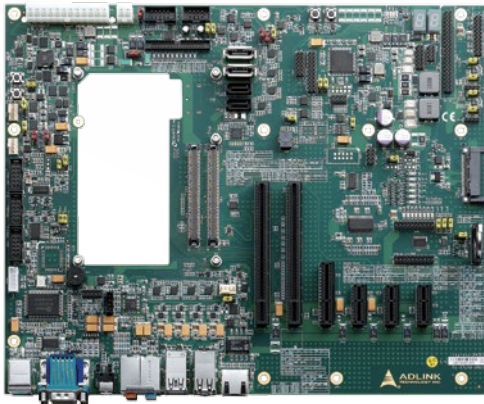


# Express-BASE6

## COM Express® Type 6 Reference Carrier Board in ATX Form Factor



### Features

- One PCI Express x4 slot, three PCI Express x1 slots
- PCI Express x16 / SDVO slot
- Supports three Digital Display Interfaces (DDI) with HDMI/DVI/DisplayPort output
- LPC based Super I/O
- Dual BIOS (SPI and LPC)
- Conforms to COM Express® Carrier Design Guide

### Specifications

#### Form Factor

Core Module Interface	PICMG® COM Express® Revision 2.0
Dimensions	Supports Type 6 modules in Basic or Compact form factor 305 mm x 244 mm (ATX)
Expansion Busses	One PCI Express x4 slot, three PCI Express x1 slots One ExpressCard slot One PCI Express x16 / SDVO slot

#### BIOS / Debug

POST LEDs	Onboard diagnostics for BIOS POST code data and address on LPC bus
Secondary BIOS	Onboard socket for secondary SPI flash

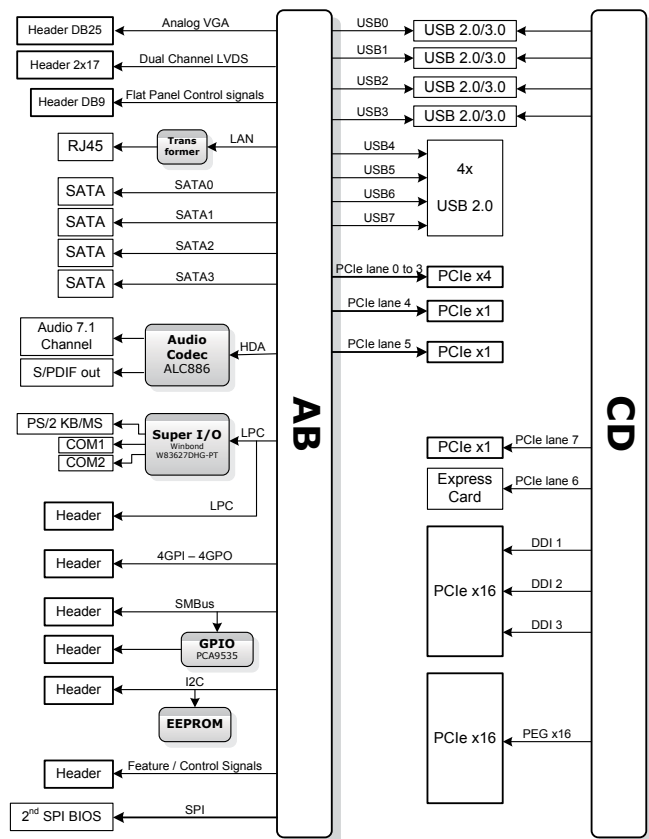
#### Active Components

Audio	Realtek ALC886 High Definition Audio Codec
Super I/O	Winbond WF83627DHG on LPC bus
Digital I/O	I <sup>2</sup> C to GPIO bridge PCA9535

#### Connectors

COM Express®	Two x 220-pin (Type 6)
VGA	DB15 on Rear I/O panel for VGA display
LVDS	Onboard 34-pin header
Digital Display Interface	Supports three DDI ports to HDMI/DVI/DisplayPort output by adapter card (PCIe x16 slot with proprietary pinout)
Flat Panel Control	Onboard 8-pin header
Audio	Mic/Line-in/Line-out on I/O panel
SATA	Two SATA ports (SATA0/1), two eSATA ports (SATA2/3)
ExpressCard	One socket onboard
LAN	10/100/1000BASE-T compatible RJ45 on I/O panel
USB 2.0	Four USB 2.0 on I/O panel, Four USB 2.0/3.0 on I/O panel
Serial Port	One DB-9 on I/O panel One onboard 10-pin header
Smart Battery	One 10-pin header for Smart Battery management communications (connects to ADLINK BattMan board)
LPC Debug	Onboard 20-pin header
KB/Mouse	Two 6-pin mini DIN (on rear I/O panel)
Feature Connectors	SMBus, I <sup>2</sup> C, module control signals
Miscellaneous	Reset, Power LED, HDD LED, Buzzer

### Functional Diagram



### Ordering Information

#### Modules

Model Number	Description/Configuration
Express-BASE6	COM Express® Type 6 Reference Carrier Board in ATX form factor

### COM Express Carrier Design Guide **COM** **Express**

Provides detailed information on designing your own custom carrier board for COM Express modules.

Note: All specifications are subject to change without further notice.