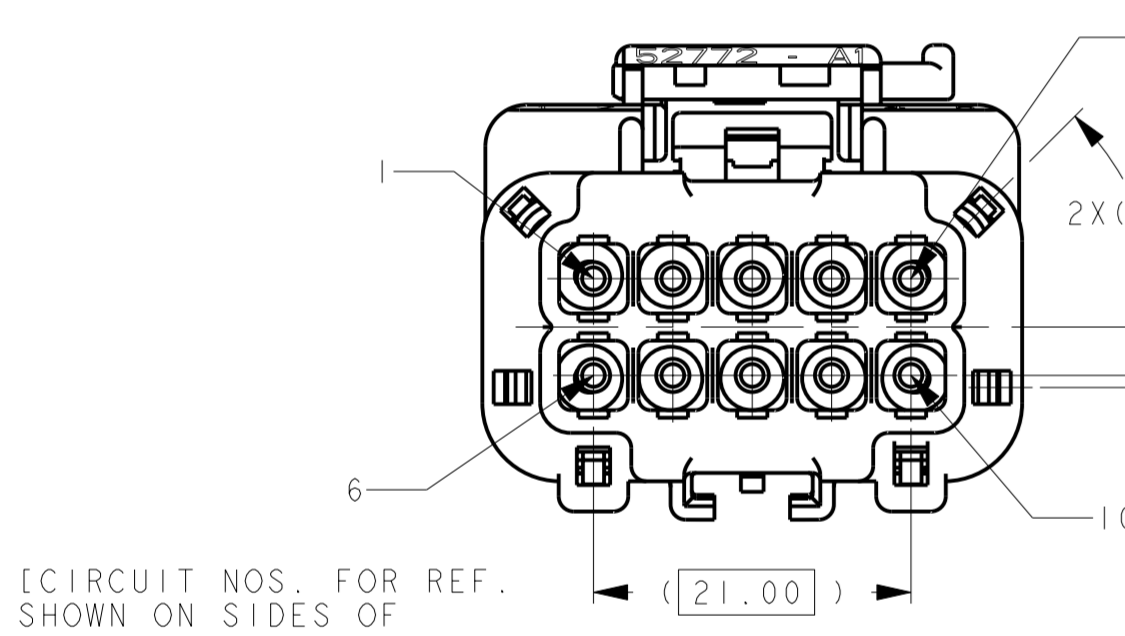
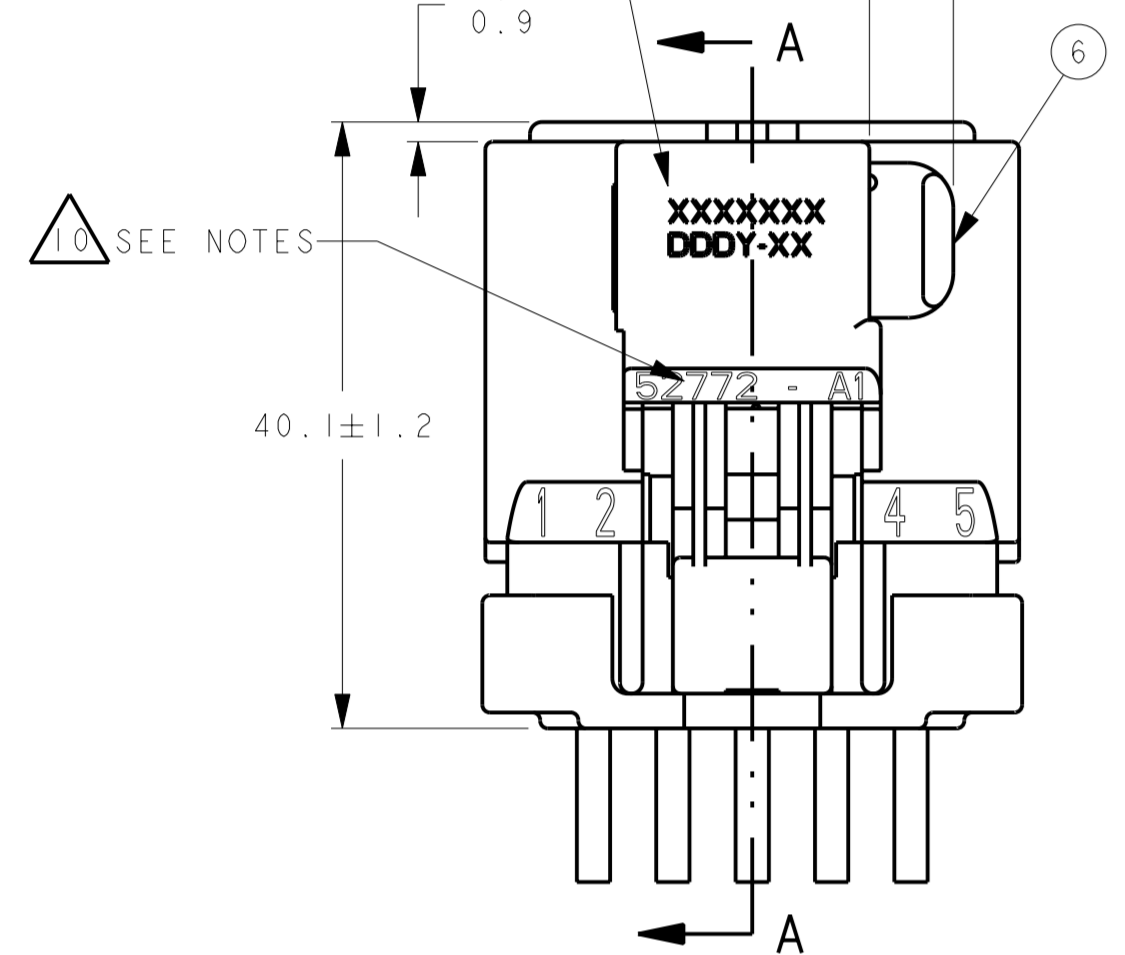


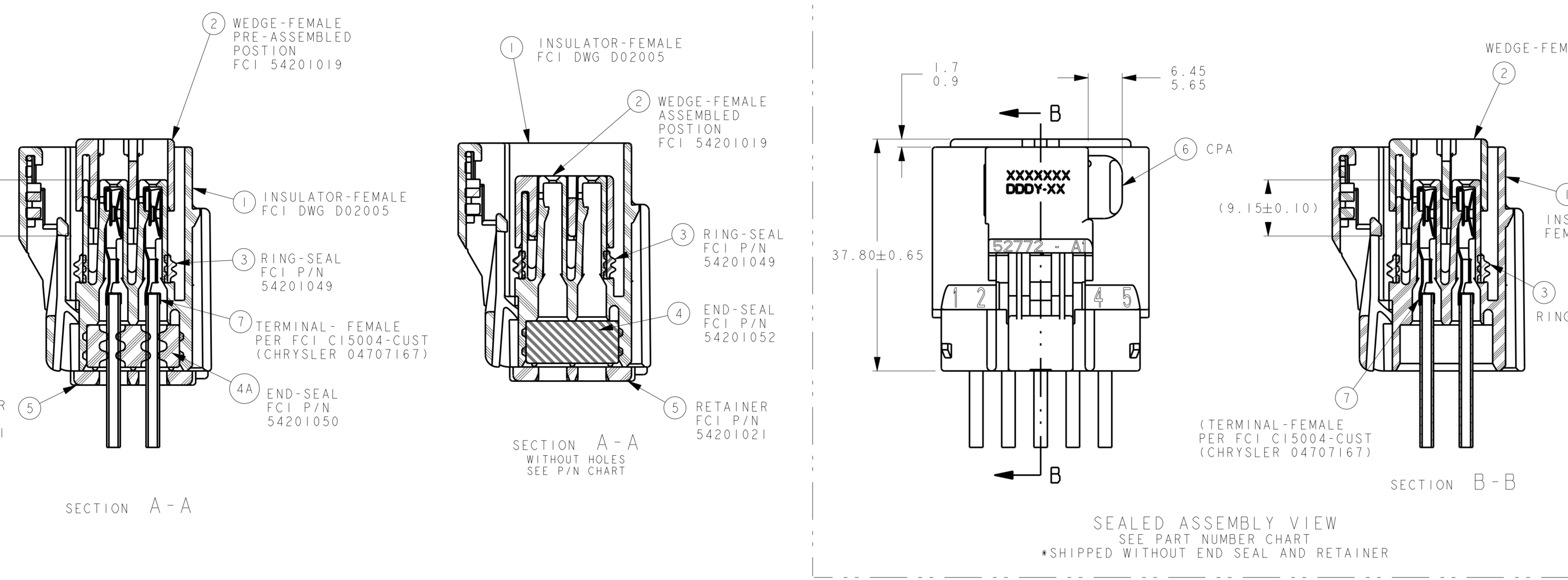
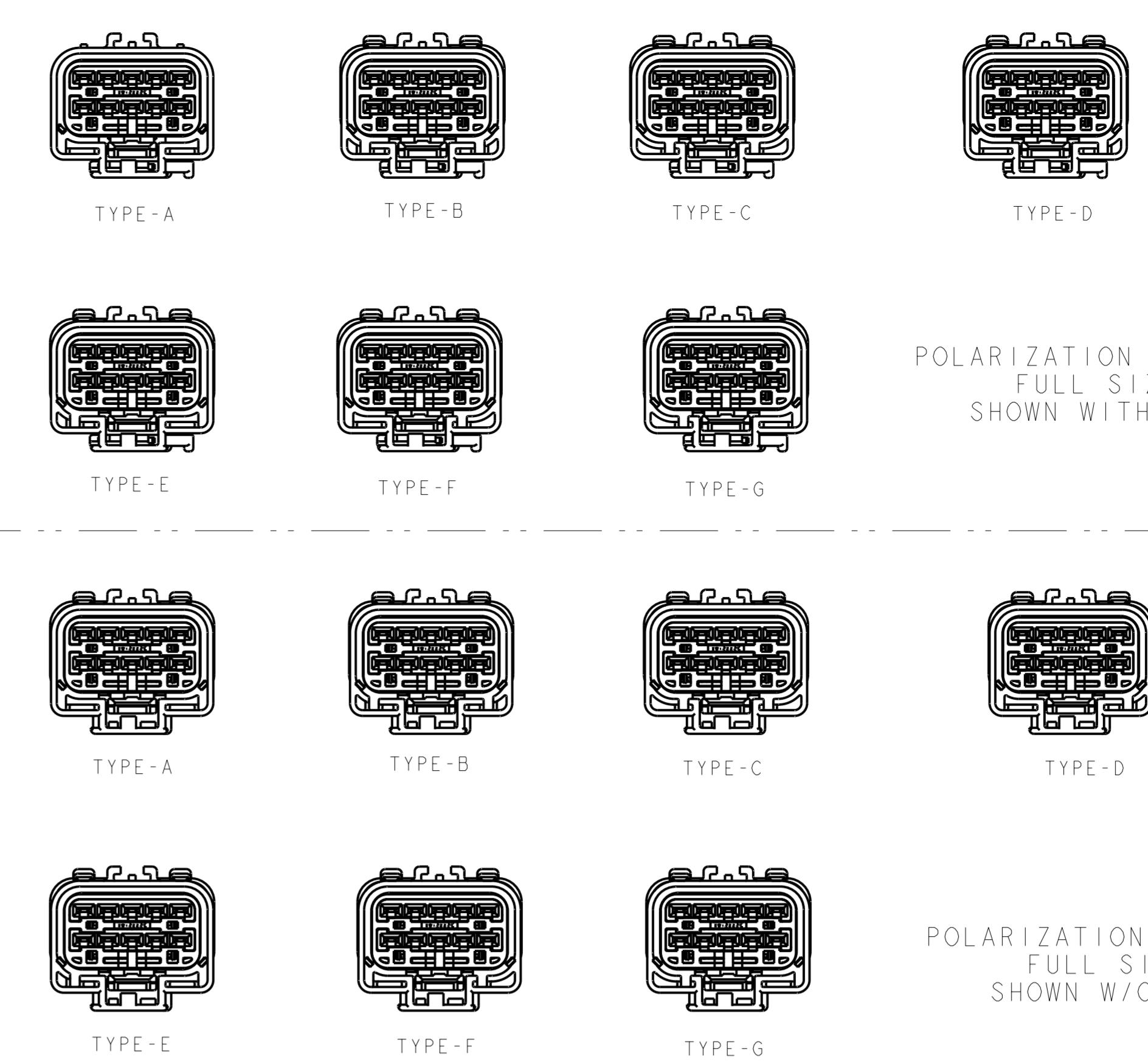
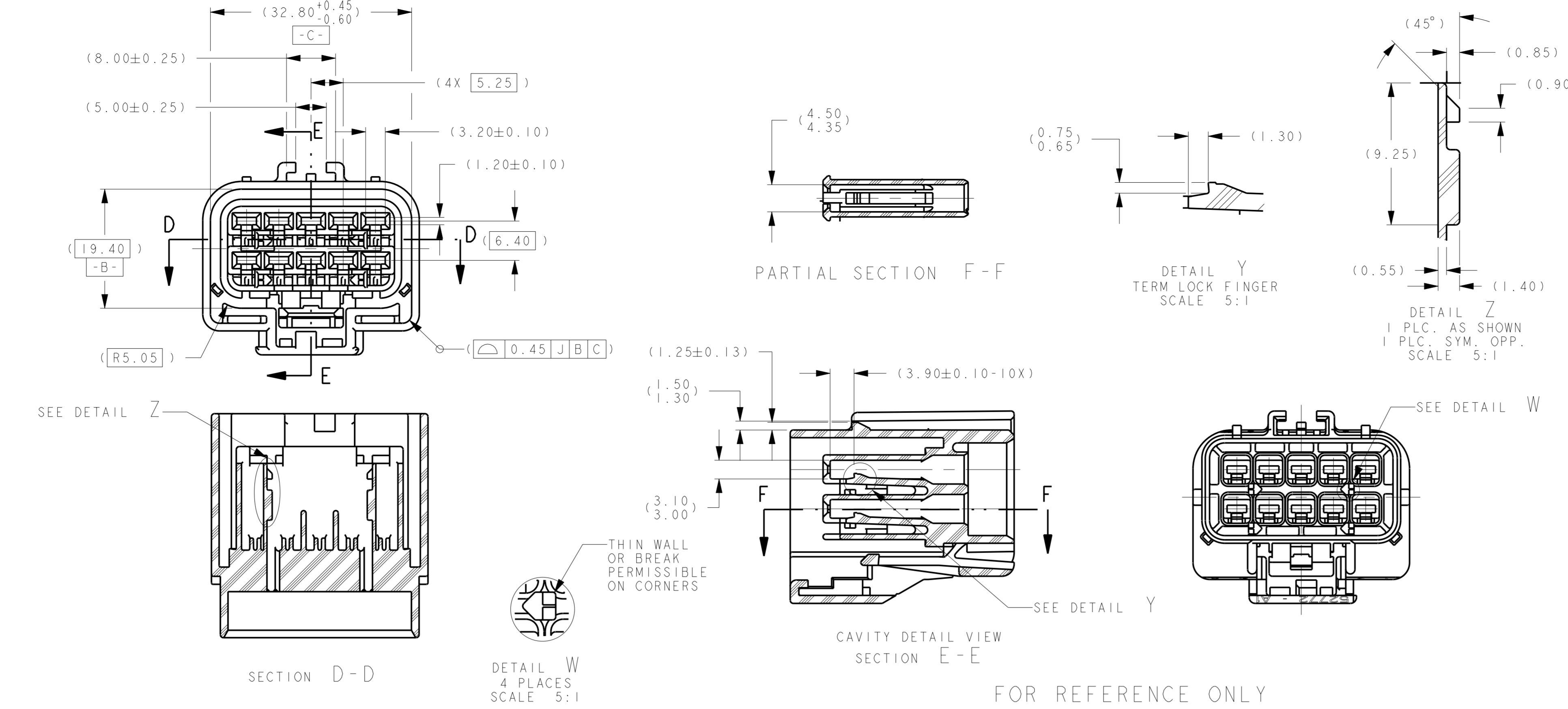
LAST 6 DIGITS OF P/N & PART CHANGE LEVEL (PCL) MFG. DAILY DATE CODE & ASSY MACHINE NO. LETTERING MUST BE LEGIBLE OPTIONAL



(CIRCUIT NOS. FOR REF. SHOWN ON SIDES OF PART)

FCI P/N'S (CUSTOMER P/N'S)	YNA P/N'S	FCI P/N'S (CUSTOMER P/N'S)	YNA P/N'S
SEALED 54201043N	N/A	54201042	N/A
SEALED 54201043	(C) 04688049AA	54201042	(C) 04688047AA
SEALED *54201063	N/A	N/A	N/A
SEALED *54201065N	N/A	N/A	N/A
UNSEALED 54201005N	N/A	N/A	N/A
UNSEALED 54201005	(C) 04687905	7283-4809-90	DIRECT CONNECT APPLICATION INDEX F
SEALED 54201015N	N/A	N/A	N/A
SEALED 54201015	(C) 04687899	7283-4806-90	DIRECT CONNECT APPLICATION INDEX F
UNSEALED 54201003N	N/A	N/A	N/A
UNSEALED 54201003	(C) 04687904	7283-4808-60	DIRECT CONNECT APPLICATION INDEX E
SEALED 54201013N	N/A	N/A	N/A
SEALED 54201013	(C) 04687898	7283-4805-60	DIRECT CONNECT APPLICATION INDEX E
UNSEALED 54201004N	N/A	N/A	N/A
UNSEALED 54201004	(C) 04687903	7283-4807-50	DIRECT CONNECT APPLICATION INDEX D
SEALED 54201014N	N/A	N/A	N/A
SEALED 54201014	(C) 04687897	7283-4804-50	DIRECT CONNECT APPLICATION INDEX D
SEALED 54201011N	N/A	N/A	N/A
SEALED 54201011	(C) 04801117	7229-2829-40	DIRECT CONNECT APPLICATION INDEX C
SEALED *54201023N	N/A	N/A	N/A
SEALED *54201023	(C) 04801112	7223-1609-40	DIRECT CONNECT APPLICATION INDEX C
SEALED F066900	N/A	N/A	N/A
SEALED F071010	N/A	N/A	JOHN DEERE LITTLE FUSE LOAD CENTER
UNSEALED 54201002N	N/A	54201008	N/A
UNSEALED 54201002	(C) 04687902	7223-1109-60	54201008 (C) 04687911 7222-1109-60
SEALED 54201012N	N/A	54201018	N/A
SEALED 54201012	(C) 04687896	7283-4803-60	54201018 (C) 04687908 N/A
SEALED *54201062	N/A	N/A	DIRECT CONNECT APPLICATION INDEX C
SEALED *54201064N	N/A	N/A	DIRECT CONNECT APPLICATION INDEX C
UNSEALED 54201001N	N/A	N/A	N/A
UNSEALED 54201001	(C) 04687901	7283-4802-40	54201007 (C) 04687910 N/A
SEALED F961010	N/A	N/A	JOHN DEERE LITTLE FUSE LOAD CENTER
SEALED 54201010N	N/A	54201017	N/A
SEALED 54201010	(C) 04687895	7283-4605-40	54201017 (C) 04687907 7282-4605-40
SEALED 54201010	(C) 04687895	7283-4605-40	54201024 (C) 04688875 7282-4605-40
SEALED F956900	N/A	N/A	DIRECT CONNECT APPLICATION INDEX B
UNSEALED 54201000N	N/A	54201006	N/A
UNSEALED 54201000	(C) 04687900	7283-4606-30	54201006 (C) 04687909 N/A
SEALED 54201009	(C) 04687894	7223-1605-30	54201016 (C) 04687906 7222-7406-30
SEALED *54201022N	(C) 04707443	7283-4801-30	54201016 (C) 04687906 7222-7406-30
SEALED *54201054	(C) 04759589AA	7283-4901-30	54201016 (C) 04687906 7222-7406-30
SEALED 54201054	(C) 04759589AA	7283-4901-30	54201058 (C) 56045040AA N/A
SEALED 54201058N	N/A	7283-4608-30	54201016 (C) 04687906 7222-7406-30
SEALED F856900	N/A	N/A	DIRECT CONNECT APPLICATION INDEX A
SEALED 54201051N	(C) 04707404	N/A	DIRECT CONNECT APPLICATION INDEX A

INDEX TYPE COLOR SEAL/ UNSEALED FCI CUSTOMER YNA FCI CUSTOMER YNA  
 (C) - CHRYSLER (F) - FORD  
 FCI - FRAMATOME CONNECTORS INTERNATIONAL  
 YNA - YAZAKI NORTH AMERICA  
 (JD) - JOHN DEERE (LF) - LITTLE FUSE  
 VENDOR 52772 OR 52772 H SEE CHART  
 VENDOR 52772 OR 52772 H CHRYSLER P/N



UNSEALED	SEALED
W/O CPA	W/CPA
54201000N	54201000
54201002N	54201002
54201004N	54201004
54201005N	54201005
54201005	54201005
54201006	54201006
54201007	54201007
54201008	54201008
54201009	54201009
54201010	54201010
54201011	54201011
54201012	54201012
54201013	54201013
54201014	54201014
54201015	54201015
54201016	54201016
54201017	54201017
54201018	54201018
54201019	54201019
54201020	54201020
54201021	54201021
54201022	54201022
54201023	54201023
54201024	54201024
54201025	54201025
54201026	54201026
54201027	54201027
54201028	54201028
54201029	54201029
54201030	54201030
54201031	54201031
54201032	54201032
54201033	54201033
54201034	54201034
54201035	54201035
54201036	54201036
54201037	54201037
54201038	54201038
54201039	54201039
54201040	54201040
54201041	54201041
54201042	54201042
54201043	54201043
54201044	54201044
54201045	54201045
54201046	54201046
54201047	54201047
54201048	54201048
54201049	54201049
54201050	54201050
54201051	54201051
54201052	54201052
54201053	54201053
54201054	54201054
54201055	54201055
54201056	54201056
54201057	54201057
54201058	54201058
54201059	54201059
54201060	54201060
54201061	54201061
54201062	54201062
54201063	54201063
54201064	54201064
54201065	54201065
54201066	54201066
54201067	54201067
54201068	54201068
54201069	54201069
54201070	54201070
54201071	54201071
54201072	54201072
54201073	54201073
54201074	54201074
54201075	54201075
54201076	54201076
54201077	54201077
54201078	54201078
54201079	54201079
54201080	54201080
54201081	54201081
54201082	54201082
54201083	54201083
54201084	54201084
54201085	54201085
54201086	54201086
54201087	54201087
54201088	54201088
54201089	54201089
54201090	54201090
54201091	54201091
54201092	54201092
54201093	54201093
54201094	54201094
54201095	54201095
54201096	54201096
54201097	54201097
54201098	54201098
54201099	54201099
54201100	54201100

REQUIRED	REQUIRED	ITEM (CUSTOMER P/N)	FCI P/N	PART NAME	MATERIAL
		(C) 04687756	54201026	INSULATOR - FEMALE INDEX A; BLK	PA66 GF35
		(C) 04687937	54201027	INSULATOR - FEMALE INDEX B; LT GRN	PA66 GF35
		(C) 04687938	54201028	INSULATOR - FEMALE INDEX C; LT GRN	PA66 GF35
		(C) 04801111	54201029	INSULATOR - FEMALE INDEX C; DK GREY	PA66 GF35
		(C) 04687959	54201030	INSULATOR - FEMALE INDEX D; ORG	PA66 GF35
		(C) 04687960	54201031	INSULATOR - FEMALE INDEX E; DK GRN	PA66 GF35
		(C) 04687962	54201032	INSULATOR - FEMALE INDEX F; AQUA	PA66 GF35
		(C) 04688048AA	54201033	INSULATOR - FEMALE INDEX G; LT BROWN	PA66 GF35
		(C) 04687741	54201019	WEDGE FEMALE; ROYAL BLUE	PA66 GF35
		(C) 04687736	54201049	RING SEAL; RED	SILICONE
		(C) 04687963	54201050	END SEAL; DK BLUE (INS. RANGE Ø 1.70 - Ø 3.35)	SILICONE
		N/A	C755900	END SEAL; WHITE (INS. RANGE Ø 1.90 - Ø 3.70)	SILICONE
		(1/C 93008013)	54201052	END SEAL; BRIGHT YELLOW (NO HOLES)	SILICONE
		(C) 04687750	54201021	RETAINER; BLACK	PA66 GF35
		(C) 04687739	54200003	CPA LATCH; RED	PA66 GF35

END SEAL FCI P/N 54201050 OR F755900 AND RETAINER P/N 54201021 OR HINGE TYPE PROVIDED LOOSE PIECE AND INSTALLED AT HARNESS ASSEMBLY. SEE HARNESS ASSEMBLY DRAWING FOR END SEAL AND RETAINER (STANDARD OR HINGE TYPE) PART NUMBERS  
 \*INDICATES THIS P/N IS AVAILABLE THROUGH TTI

NOTES:  
 1. QUALITY ASSURANCE REQUIREMENTS PER PS-7300: 1 SPC DATA REQUIRED.  
 2. ENGINEERING APPROVAL OF SUPPLIER SAMPLES IS REQUIRED PRIOR TO AUTHORIZATION OF PART PRODUCTION.  
 3. CHANGES IN DESIGN COMPOSITION OR PROCESSING FROM THE PART PREVIOUSLY APPROVED FOR PART PRODUCTION REQUIRES PRIOR ENGINEERING APPROVAL.  
 4. WIRING FABRICATORS MUST PURCHASE FROM SOURCES SHOWN.  
 5. ALL THE SEALED APPLICATIONS WITH 54201050 END SEAL MUST BE USED WITH CHRYSLER WIRE SPEC. MS-8288 OR MS-9502 THIN WALL X-LINK 20, 18, 16, 14 & 12 GAGE WIRES ONLY UNLESS OTHERWISE SPECIFIED (WIRE INSULATION RANGE Ø 1.70 MIN TO Ø 3.35 MAX) ISO THIN WALL EQUIVALENTS ALLOWED  
 6. P/N WITH C755900 END SEAL MUST BE USED WITH WIRE INSULATION RANGE FROM Ø 1.90 MIN TO Ø 3.70 MAX (18AWG TO 12AWG OR 1mm<sup>2</sup> TO 4mm<sup>2</sup> ISO THIN WALL)  
 7. ALL NON-SEALED APPLICATIONS MAY BE USED WITH ANY WIRE INSULATION 22 GAGE THRU 10 GAGE & ISO THIN WALL EQUIVALENTS PROVIDING THAT A TERMINAL GRIP FOR THAT CORE/INSULATION COMBINATION IS SHOWN ON THE FEMALE TERMINAL DRAWING: FCI C15004-CUST  
 8. MAX. INSULATION CRIMP WIDTH = 4.50  
 9. MAX. INSULATION CRIMP HEIGHT = 4.50  
 10. MAX. INSULATION DIA = 4.09 (10 GA THIN WALL)  
 11. USE WITH CAVITY PLUG FCI P/N 54200005 (C) 56033008 WHEN REQ'D  
 12. USE WITH DOUBLE X-MAS TREE CLIP (C) 04707091 WHEN REQUIRED  
 13. USE WITH SINGLE X-MAS TREE CLIP (C) 04625797 WHEN REQUIRED  
 14. THE 2.8MM APEX TERMINAL IS SYMMETRICAL ABOUT CENTER LINE & CAN BE INSERTED 180°  
 15. DIRECT CONNECT DRAWING NO. FCI G36010 (CHRYSLER 04707028)  
 16. TEST METHOD PER CHRYSLER PERFORMANCE SPEC # SAE/USCAR-2 REV 5, CONNECTOR ENGAGE & DISENGAGE WITH LATCH DEPRESSED FORCE NOT TO EXCEED 120N FOR THIS SYSTEM  
 17. CPA SEATING FORCES - 40N MAX  
 18. WEDGE SEATING FORCES - 120N MAX  
 19. X-MAS TREE CLIP INSERTION FORCES - 75N MAX  
 20. SUPPLIER, MOLD & CAVITY I.D. SIGNIFIES TOOL OWNERSHIP. FOR REFERENCE  
 21. ANNUAL QUALITY REQUIREMENTS:  
 IT IS PERMISSIBLE TO PERFORM CONTINUOUS CONFORMANCE PER FCI SPECIFICATION HA04-001 INSTEAD OF ANNUAL LAYOUT & ANNUAL PV REQUIREMENTS OF QS-9000 SECTION 2 & SAE/USCAR-2 REV 5  
 ALL NON-REFERENCE DIMENSIONS ARE REQUIRED  
 - USE INDEX A, BLACK SEALED AND UNSEALED FOR ALL AFFECTED INSULATOR CAVITIES  
 - CURRENT PRODUCTION TOOLING  
 - POINT OF LAST RUN  
 SERVICE TOOLING GUIDE INFORMATION PER APEX TRAINING MANUAL  
 22. MUST CONFORM TO THE FOLLOWING CHRYSLER/YNA STANDARDS:  
 SAE/USCAR-2 REV 5 FOR LATCH PERFORMANCE & AUDIBILITY  
 SAE/USCAR-2 REV 5 EXCEPT AS NOTED ABOVE  
 PS-7300 QUALITY ASSURANCE (CHRYSLER)  
 PS-4480-CER-4 (CHRYSLER) PART I.D., (G-009-2 YNA)  
 PS-9065 REGRID (CHRYSLER), (G-009-3 YNA)  
 PS-9227 DATA EXCHANGE (CHRYSLER), (G-009-7 YNA)  
 PS-10052 INFORMATION SECURITY (CHRYSLER)  
 23. THIS DRAWING (H59005) REPLACES CHRYSLER DRAWING NUMBER 04687872 LEVEL "R"  
 FCI P/N'S WITH SUFFIX "N" DESIGNATES ASSEMBLIES W/O CPA.

REV	DATE	DESCRIPTION
1	05/01/00	ISSUE FOR PRODUCTION
2	05/01/00	REVISION 1
3	05/01/00	REVISION 2
4	05/01/00	REVISION 3
5	05/01/00	REVISION 4
6	05/01/00	REVISION 5
7	05/01/00	REVISION 6
8	05/01/00	REVISION 7
9	05/01/00	REVISION 8
10	05/01/00	REVISION 9
11	05/01/00	REVISION 10
12	05/01/00	REVISION 11
13	05/01/00	REVISION 12
14	05/01/00	REVISION 13
15	05/01/00	REVISION 14
16	05/01/00	REVISION 15
17	05/01/00	REVISION 16
18	05/01/00	REVISION 17
19	05/01/00	REVISION 18
20	05/01/00	REVISION 19
21	05/01/00	REVISION 20
22	05/01/00	REVISION 21
23	05/01/00	REVISION 22