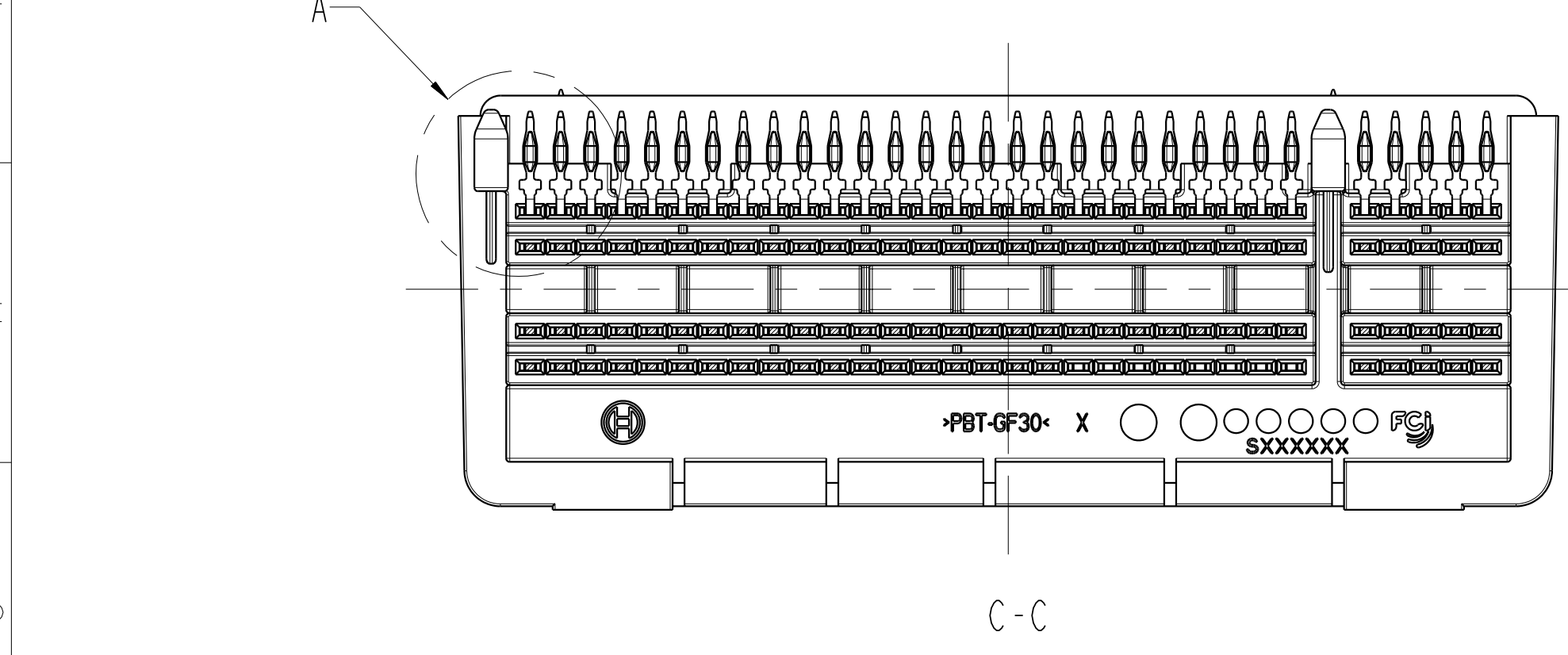
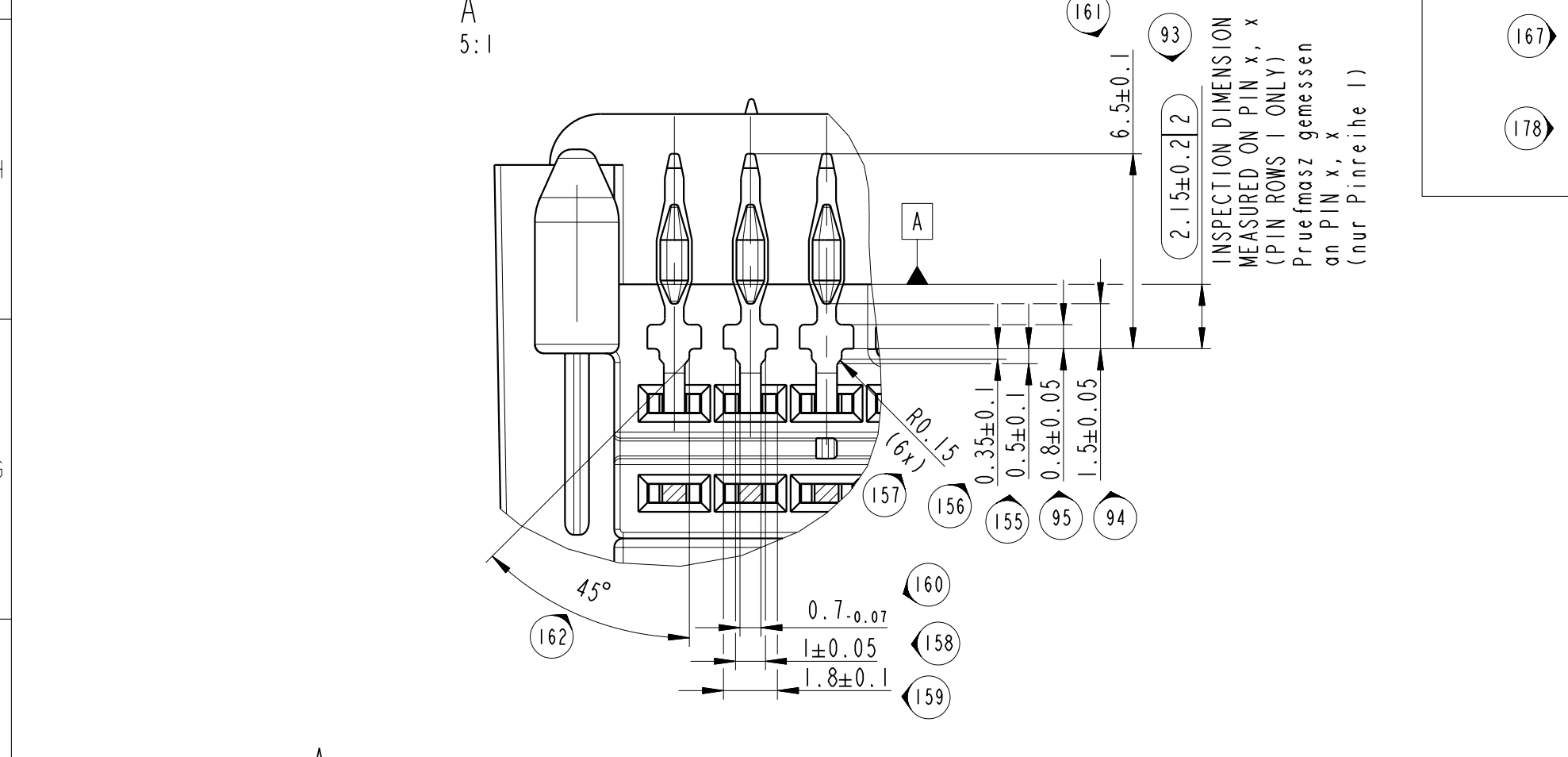
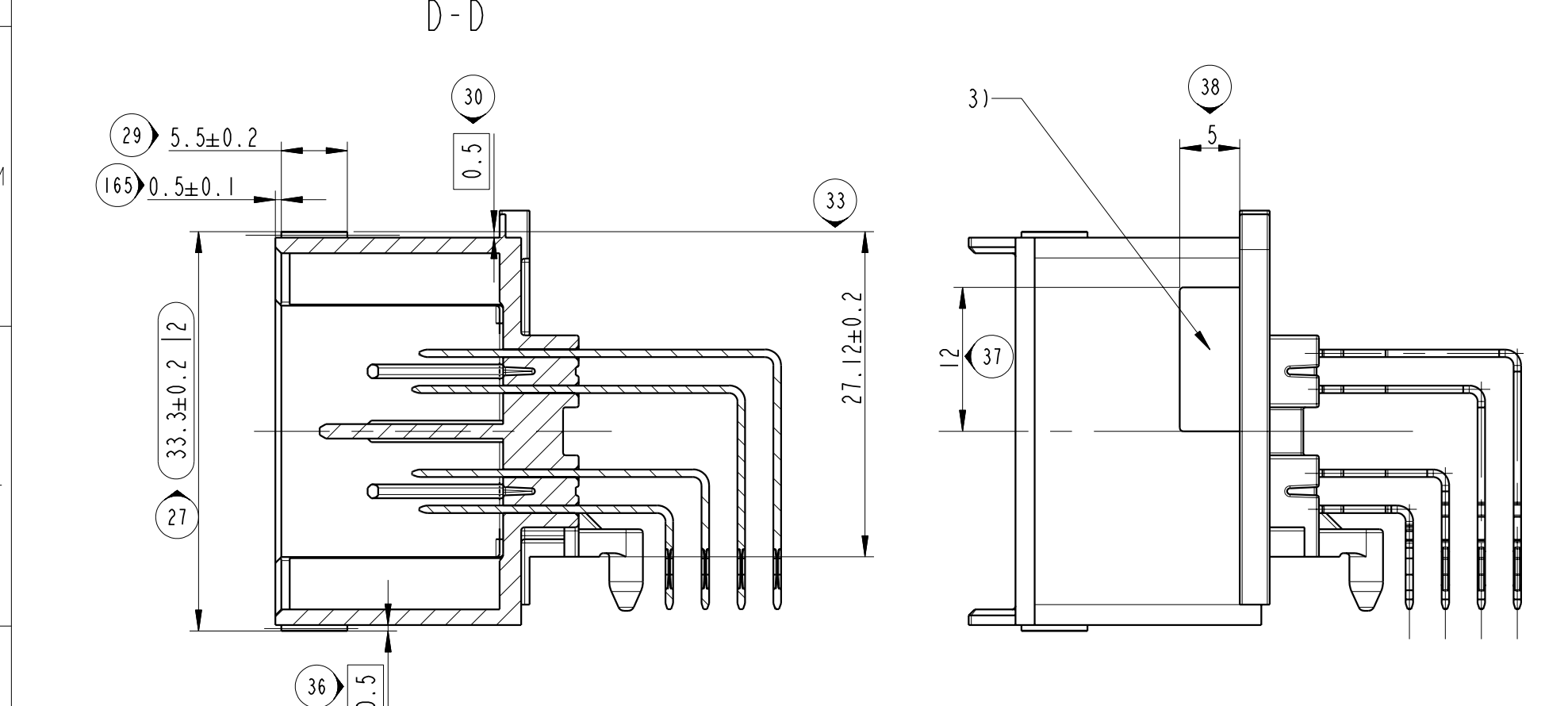
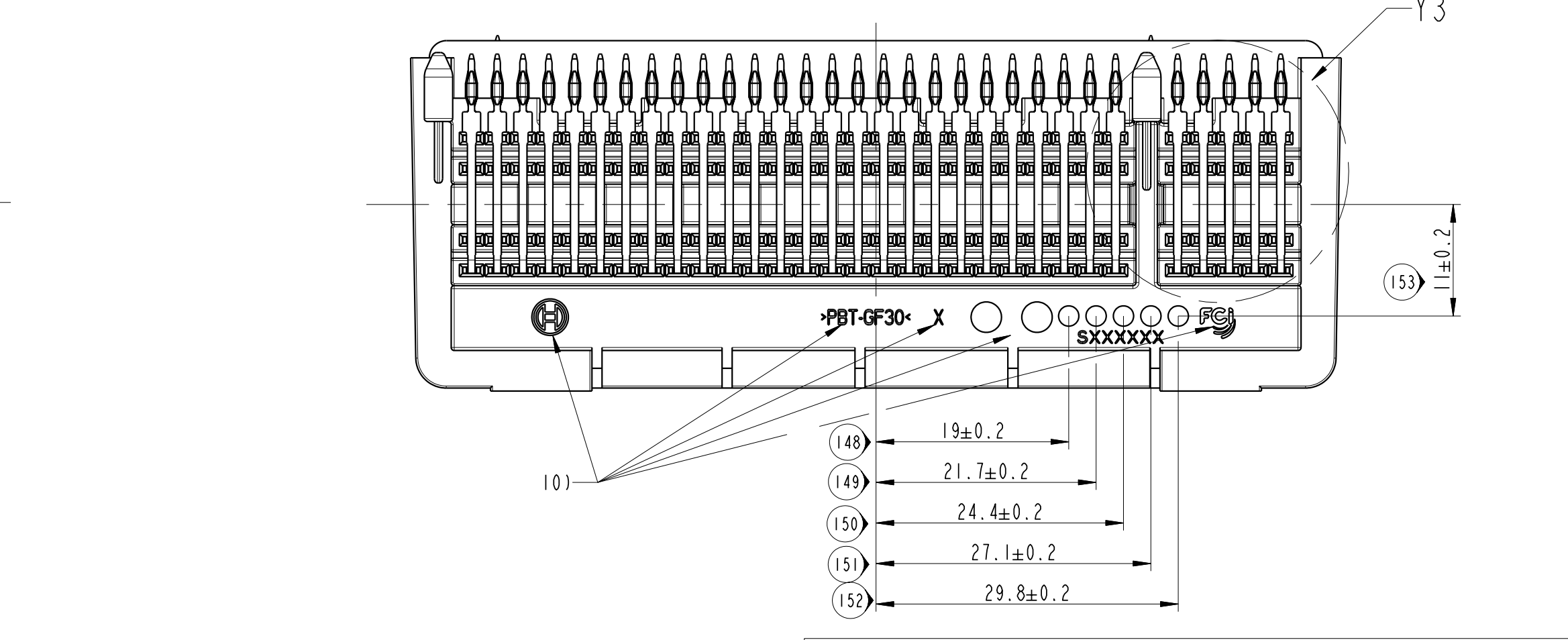
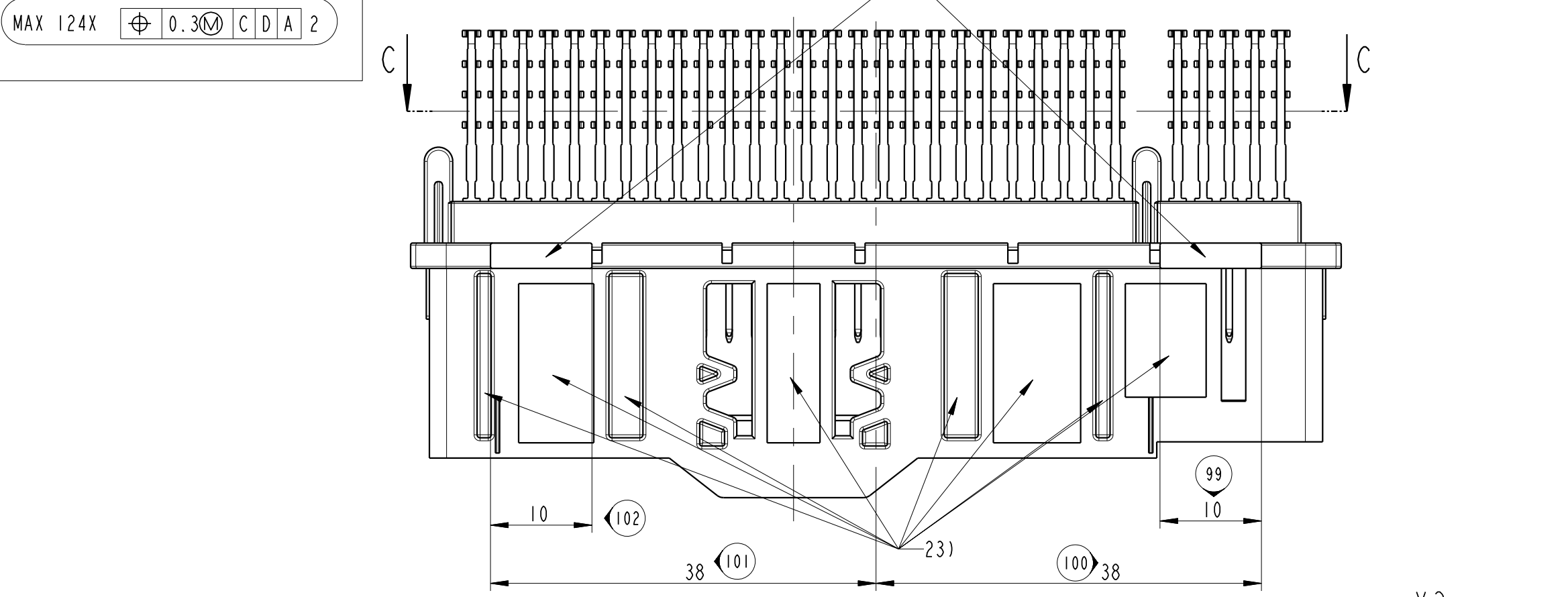
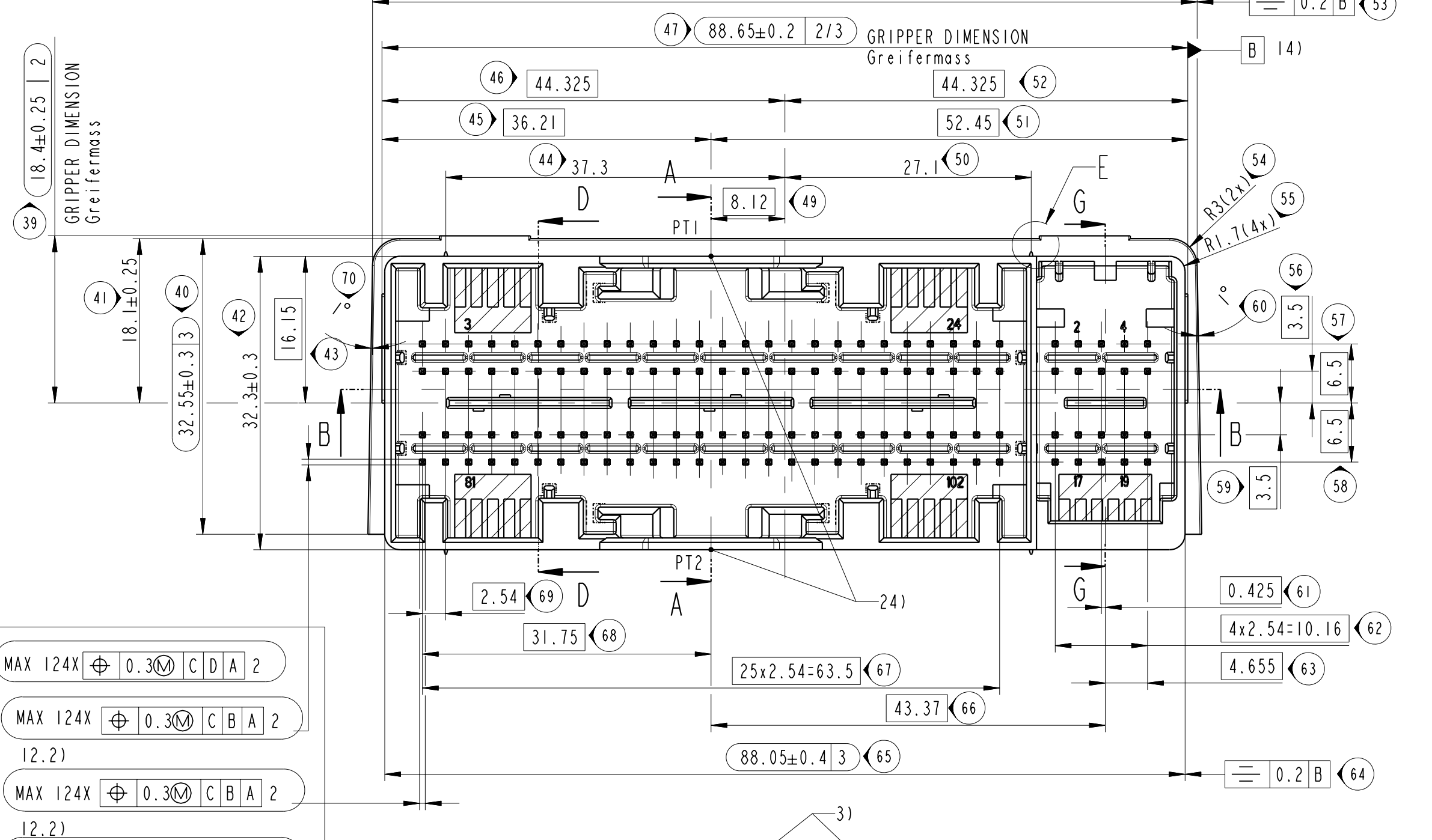
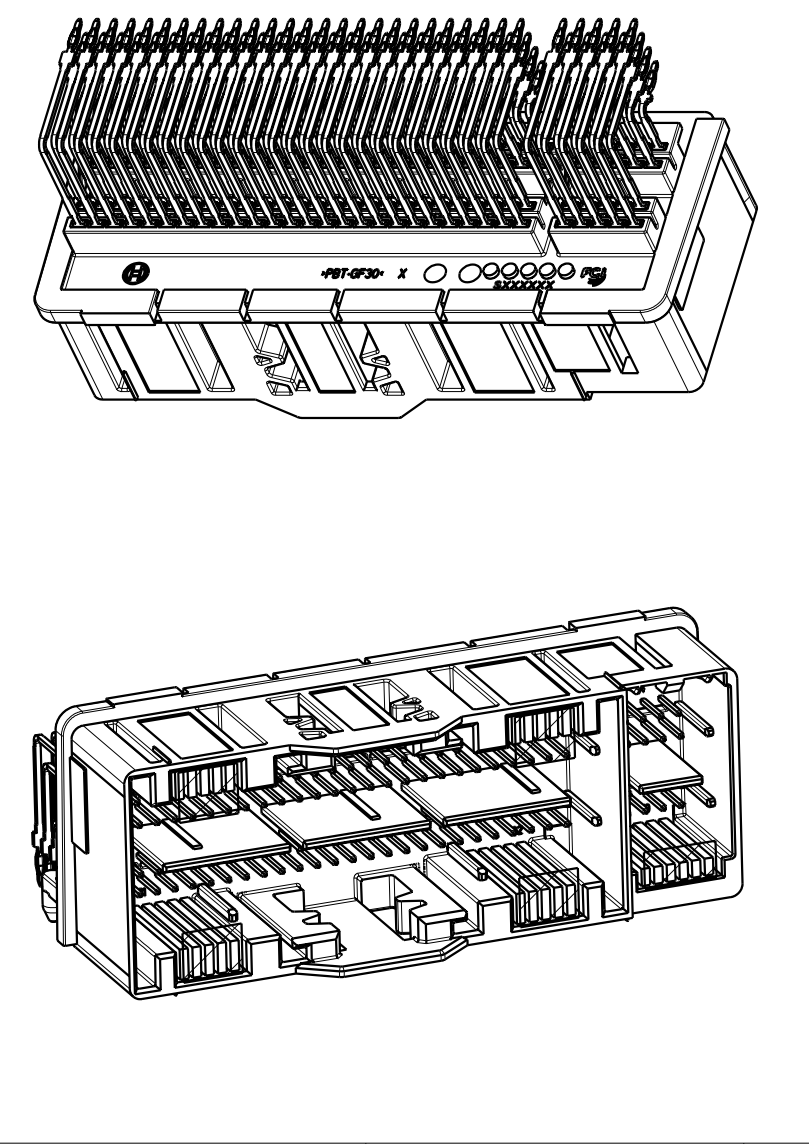
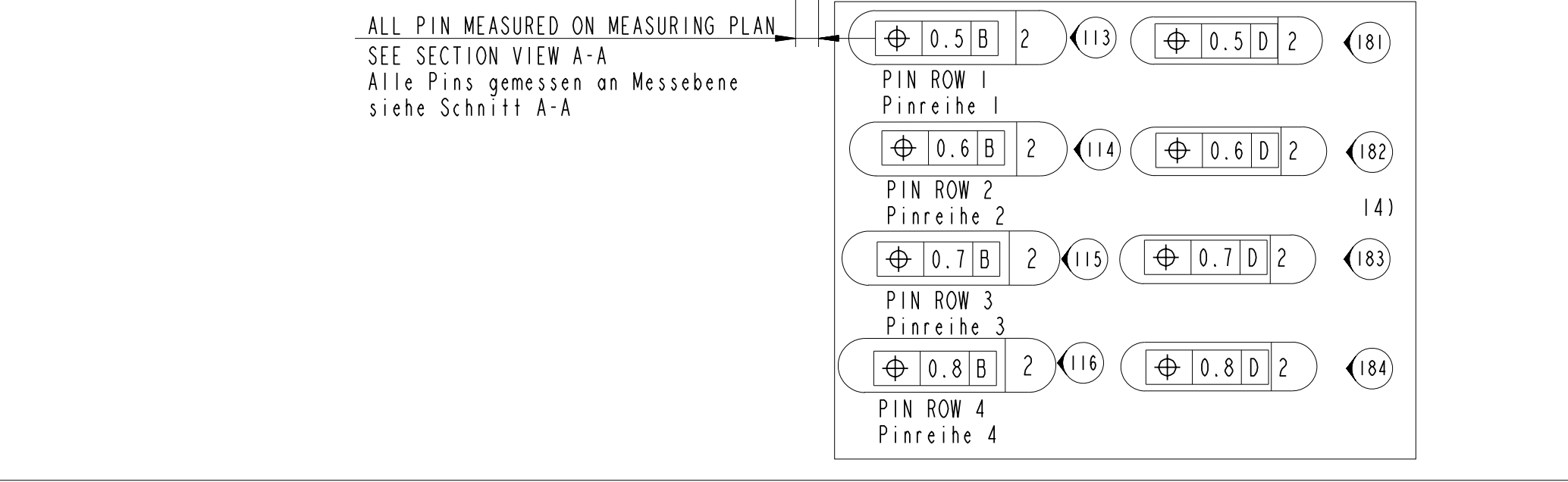
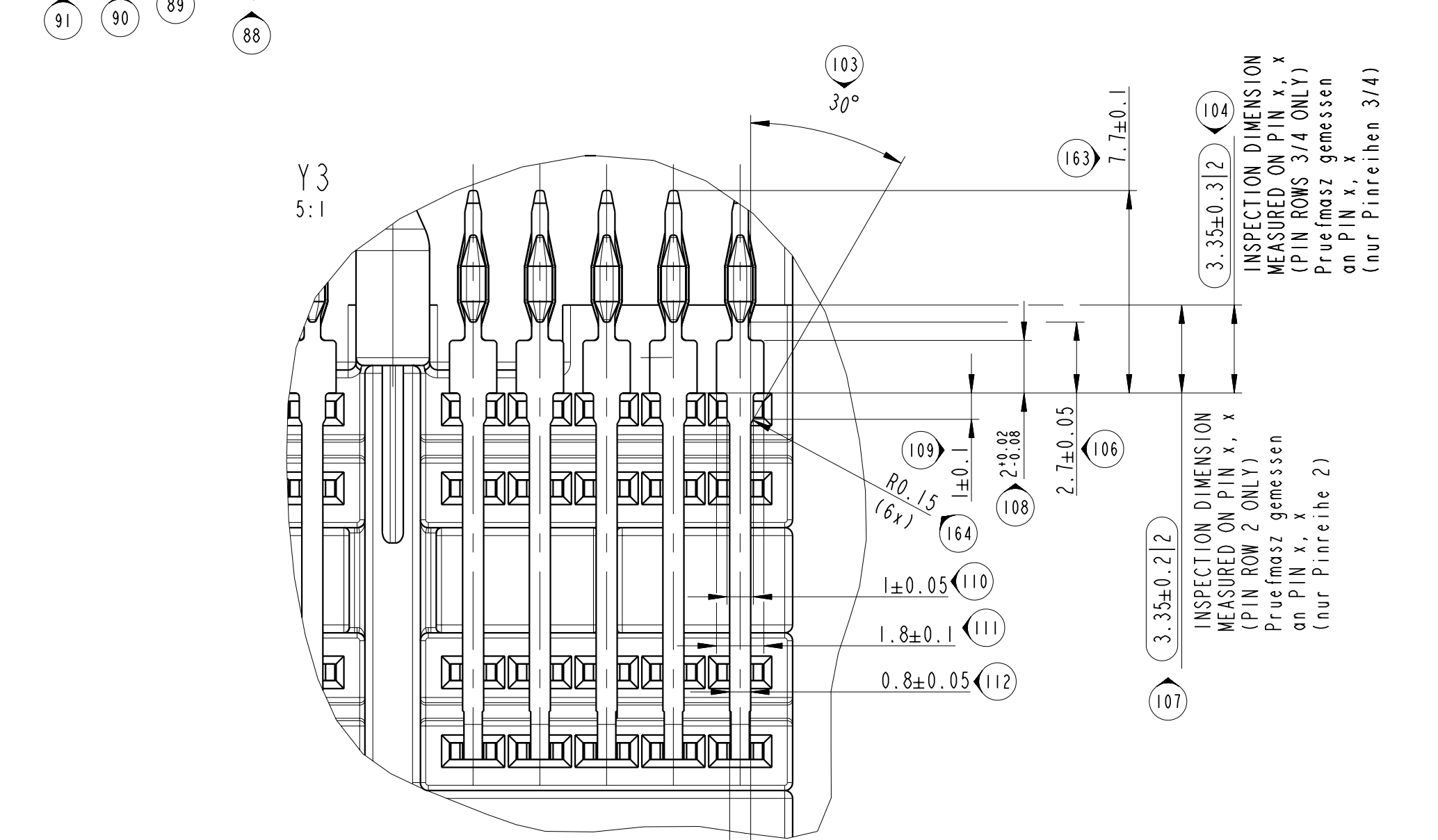
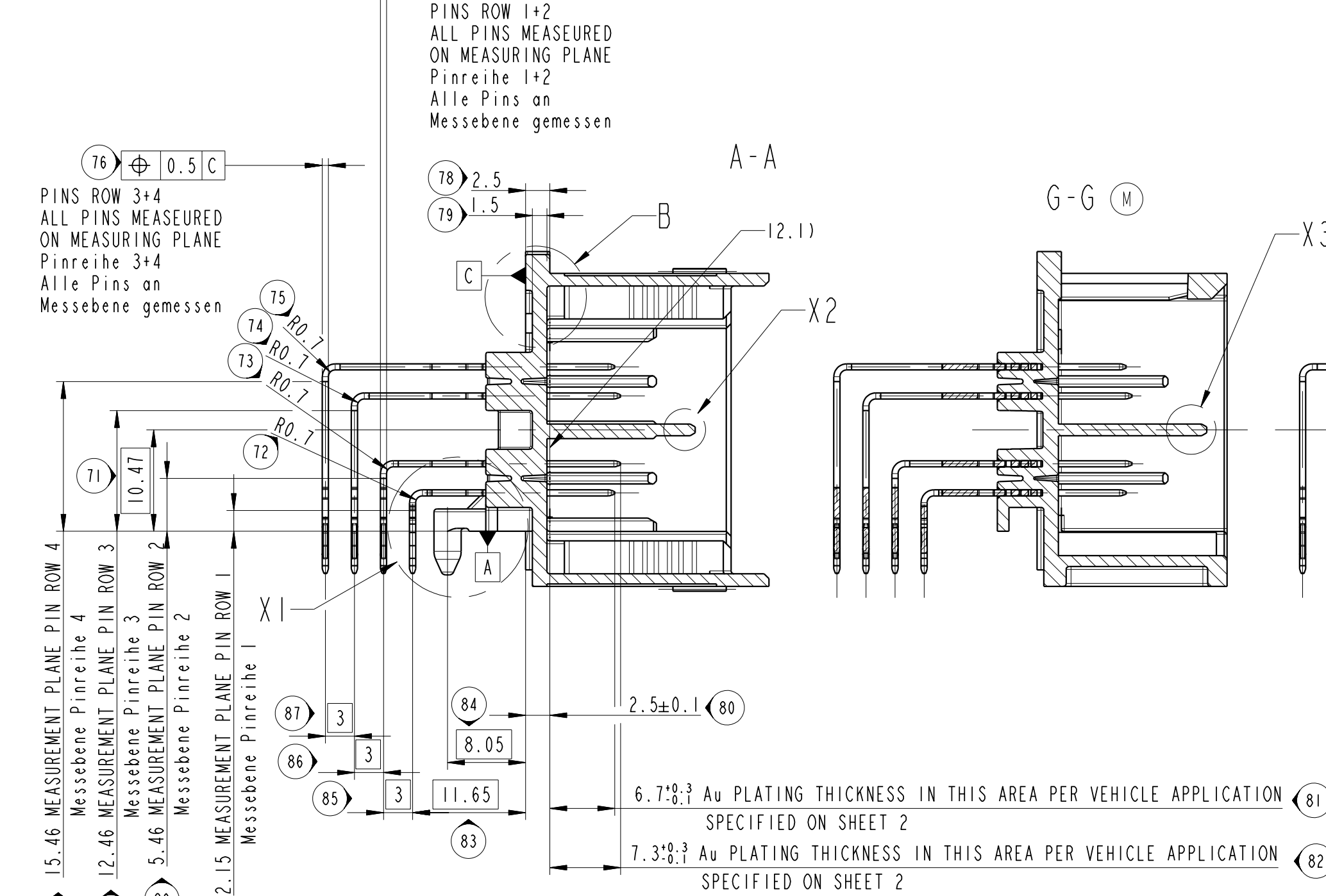
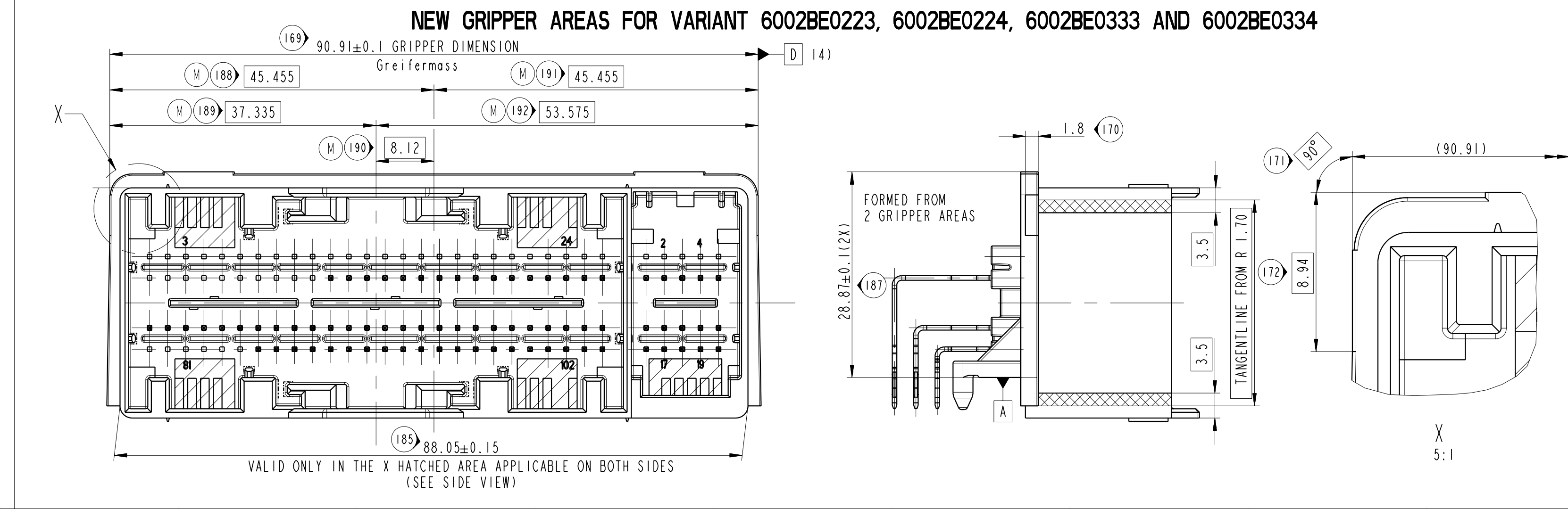
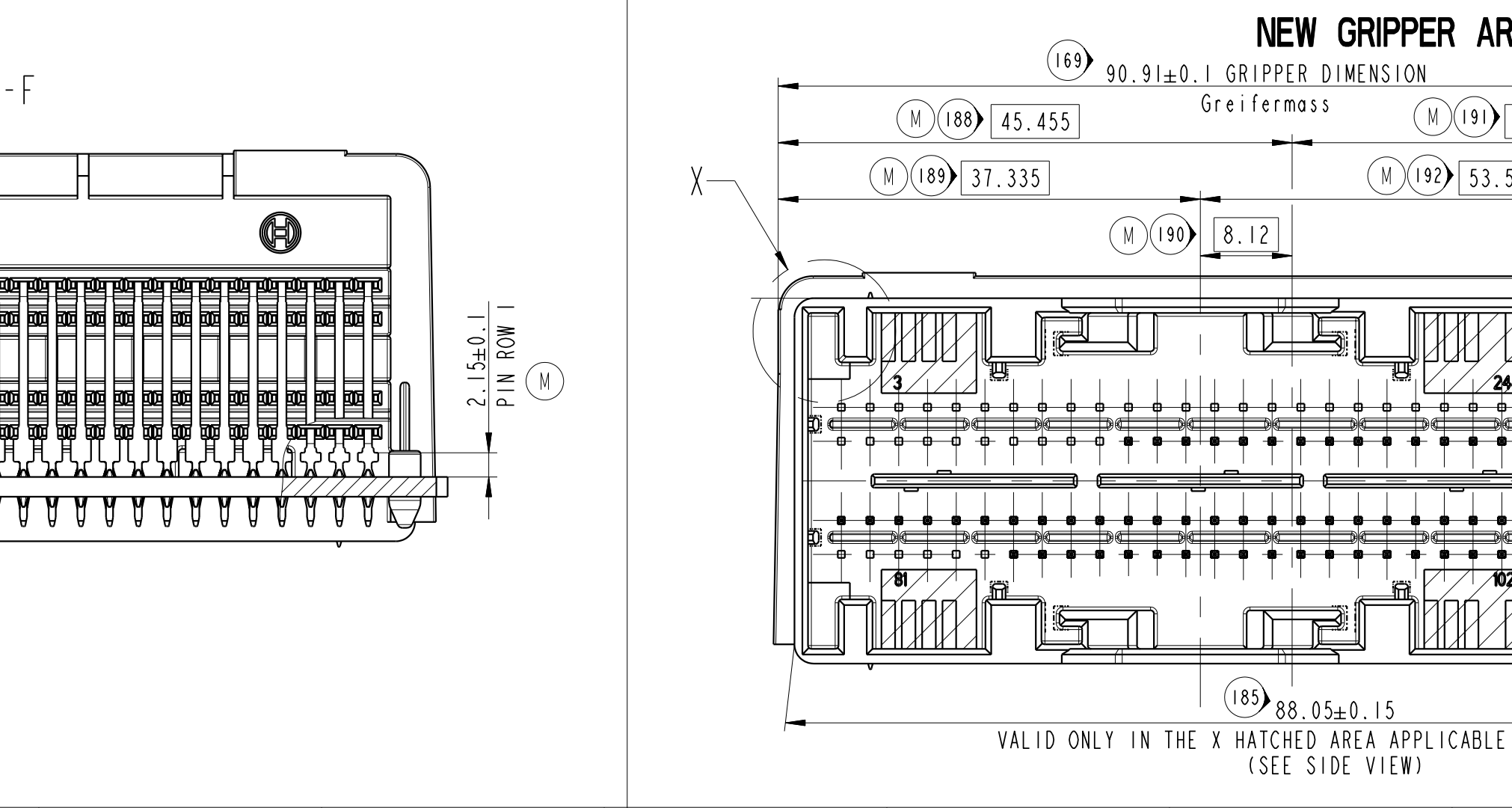
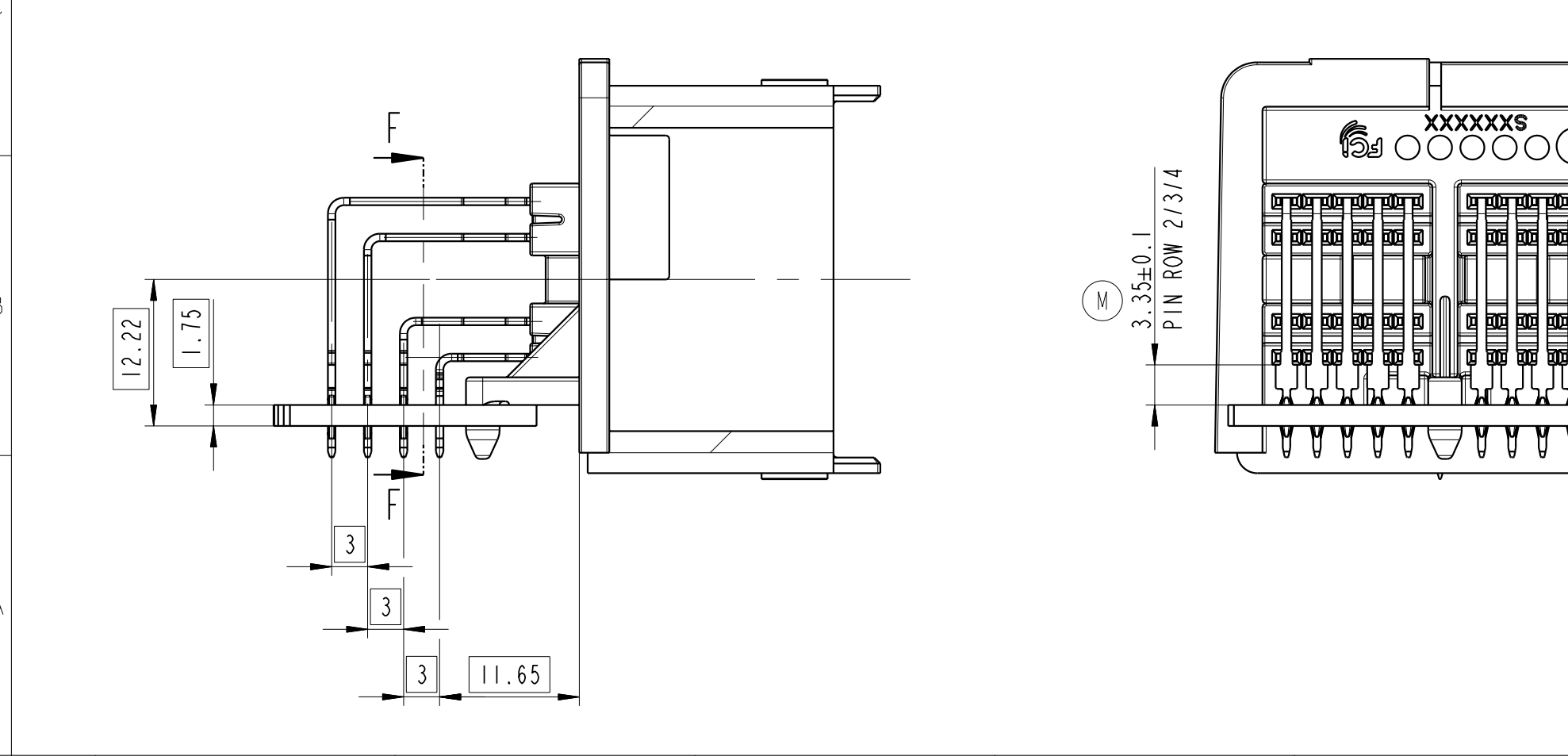


600 2 BE xxxx (ALL POSSIBLE CODINGS ARE SHOWN)



FOR INFORMATION ONLY
THIS VIEWS SHOWS THE PINHEADER WITH PCB



- NOTE:
- (125) MATERIAL: BASF ULTRADUR B 4300 G6 PER DAIMLER SPEC DBL 8585 PER CHRYSLER SPEC MS-DB400 CPN 2252 COLOR: Z10 YELLOW SIMILAR TO RAL1018 REGRIND 10% MAX., SPRUE RECIRCULATION.
 - (126) DATA MATRIX CODE SURFACE IN THIS AREA ACC. TO VDI 3400 24 Data Matrix Code (22-digits) YEAR/MONTH/DAY (6 DIGITS) SUPPLIER CODE (8 DIGITS) LAST 4 BOSCH NO. (4 DIGITS) HOUR/ MINUTES (4 DIGITS) 2.1) BOSCH PART NO. AND REV. LASER LETTERING.
 - (127) 3) SUPPORT AREAS FOR GRIPPER
 - (128) 4) THE TOLERANCES NOT SHOWN SHOULD BE ACCORDING TO DIN 16901-130 FOR ALL LINEAR DIMENSIONS, ANGLE-, FORM AND POSITIONAL TOLERANCES ACCORDING TO DIN 150 2768-mr. THIS PRINT ONLY SHOWS DIMENSIONS THAT ARE ESSENTIAL TO THE FUNCTION OF THE PART! THEREFORE THE PART MUST BE DEVELOPED FROM THE SOLID MODEL PCC0559303. SOLID MODEL TO BE CONSIDERED BASIC. ALL NON DIMENSIONED FEATURES
 - (129) 5) SHOWN IS THE COMPLETE ASSEMBLY OF THE PINS, CODINGS AND GRIPPER AREA VARIANTS SEE SHEET 2 FOR PIN POPULATION, KEY CODING OPTIONS AND GRIPPER AREA VARIANTS
 - (130) 6) DE-POPULATED PIN CAVITIES SEE SHEET 2.
 - (131) 7) MOLD SEPARATION MISMATCH MAX. 0.10 EJECTOR MARKS FLUSH OR 0.2mm MAX. BELOW THE SURFACE. PART MUST BE FREE OF TOOL MARKS OR FLASHINGS WHICH MAY BE DETRIMENTAL TO THE SATISFACTORY ASSEMBLY, SAFE HANDLING APPEARANCE OR FUNCTION.
 - (132) 8) DRAFT ANGLES TO BE MEASURED WITHIN THE TOLERANCE
 - (133) 9) PARTS MUST BE FREE OF GREASE, SIZE OF FOREIGN PARTICLES ACCORDING TO TECHNICAL CLEANLINESS SPECIFICATION PV 1 279 921 533 AND APPENDIX 1 279 921 538
 - (134) 10) BOSCH FIGURE BRAND / MATERIAL DESCRIPTION MOLD DESCRIPTION / DATE OF PRODUCTION / MANUFACTURER LOGO TYPE PER BOSCH NORM N41A
 - (135) 11) ADJUSTMENT OF THE PARTS DURING MEASUREMENT BY REFERENCES "a" "b" "c"
 - (136) 12) MISSING DIMENSION AND INFORMATION FOR THE MATING INTERFACE GEOMETRY REFER TO: FC1 SPECIFICATION NO. PCC060557 REV. B - 104 WAY INTERFACE DAIMLER FC1 SPECIFICATION NO. PCC060582 REV. A - 20 WAY INTERFACE DAIMLER FC1 SPECIFICATION NO. PCC063187 REV. C - 104 WAY INTERFACE CHRYSLER FC1 SPECIFICATION NO. PCC063189 REV. C - 20 WAY INTERFACE CHRYSLER
 - (137) 13) DATUMPLANE FOR INTERFACES
 - (138) 12.2) DATUM PLANE REFERENCES SEE INTERFACE DRAWINGS
 - (139) 12.3) PIN NO! SEE SHEET 2 Pin number 1, siehe Blatt 2
 - (137) 13) PRESSFIT ZONE ACC. TO DRAWING NO. 9 909 00 53 PRESS FIT PIN CONTACT MATERIAL C654 PLATING: MATING SIDE Ni/Au / PRESSFIT SIDE Ni 1.3-2.2µm, Sn FLASH 0.2-0.45µm
 - (138) 14) DATUM PLANE B AND D IS DEPENDENT ON THE VARIANTS CHRYSLER OR DAIMLER
 - (139) 15) DIMENSION AND/OR CHARACTERISTIC REQUIRES MEASUREMENT OR ATTRIBUTE DATA THIS INFORMATION SHALL BE REFLECTED IN THE SUPPLIER CONTROL PLAN
 - (140) 16) DIMENSIONS IDENTIFIED BY THE STRESS RELIEVING SYMBOL TO MEET SPECIFIED VALUES WITHIN THE TOLERANCE LIMITS BEFORE AND AFTER STRESS RELIEVING FOR 24 HOURS AT 115°C. THIS TEST TO BE CONDUCTED AT PPAP AT BOSCH SPECIFIED INTERVALS ON 3 PIECES PER CAVITY. RESULTING INSPECTION VALUES WILL NOT REQUIRE PROCESS CAPABILITY. ANY DEVIATIONS TO THE SPECIFIED LIMITS WILL REQUIRE APPROVAL FROM BOSCH ENGINEERING.
 - (141) 17) UNLESS OTHERWISE SPECIFIED, MATERIALS USED IN PRODUCTION OF THIS COMPONENT MUST NOT VIOLATE BOSCH RESTRICTED MATERIALS LIST AS DOCUMENTED IN BOSCH NORM N2580 SUPPLIERS ARE ALSO REQUIRED TO PROVIDE A FULL IMDS DISCLOSURE TO DOCUMENT SUBSTANCE COMPOSITION OF THEIR COMPONENTS.
 - (142) 18) PART MUST BE FREE FROM VOIDS
 - (143) 19) USE OF MOLD RELEASE AGENTS NOT PERMITTED
 - (144) 20) VOLUME OF PART: 24cm³
 - (145) 21) ORDER SPECIFICATION: 2 269 915 583
 - (146) 23) CUTOFF AGAINST MATERIAL ACCUMULATION ACCORDING TO SUPPLIER REQUIREMENTS
 - (147) 24) MINIMUM ALLOWABLE DISTANCE AT PT1 FROM DATUM A TO BE NO LESS THAN 26.20mm DUE TO WRAP. MINIMUM ALLOWABLE DISTANCE AT PT2 FROM DATUM A TO BE LESS THAN 5.30 DUE TO WRAP.

CDN NO.	POSITION	CHANGE DESCRIPTION
799/10	A-C/20	ADDED TEXT "PIN ROW 2/3/4" TO THE DIM 3.35±0.1
	A-C/16	ADDED DIM 2.15±0.1 WITH TEXT "PIN ROW 1"
	A-C/1	ADDED NEW BASIC DIMENSION 45.455, 37.335, 8.12, 45.455, 53.575 WITH DIM NO 188, 189, 190, 191, AND 192 RESPECTIVELY
	L-W/8	NEW SECTION VIEW G-G ADDED
	R/9-13	NEW DETAIL VIEW X2, X3 ADDED
	N/1-5	NOTE 13) "DELETE PRESSFIT REV C"

200 LAST DIMENSION NUMBER

