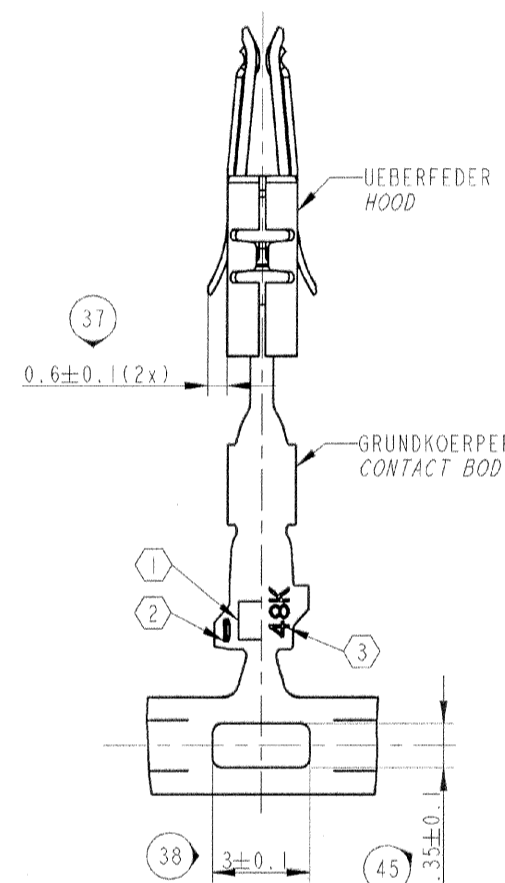
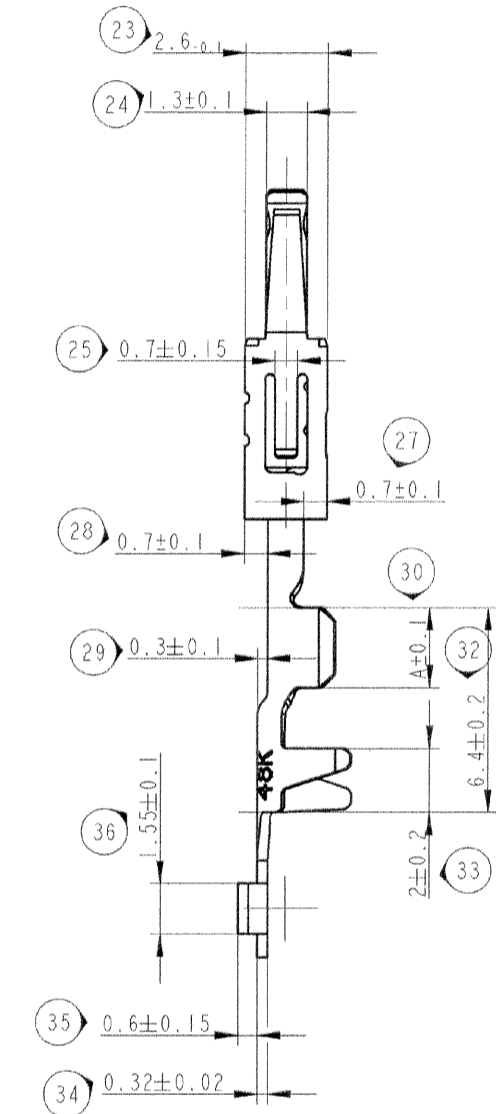
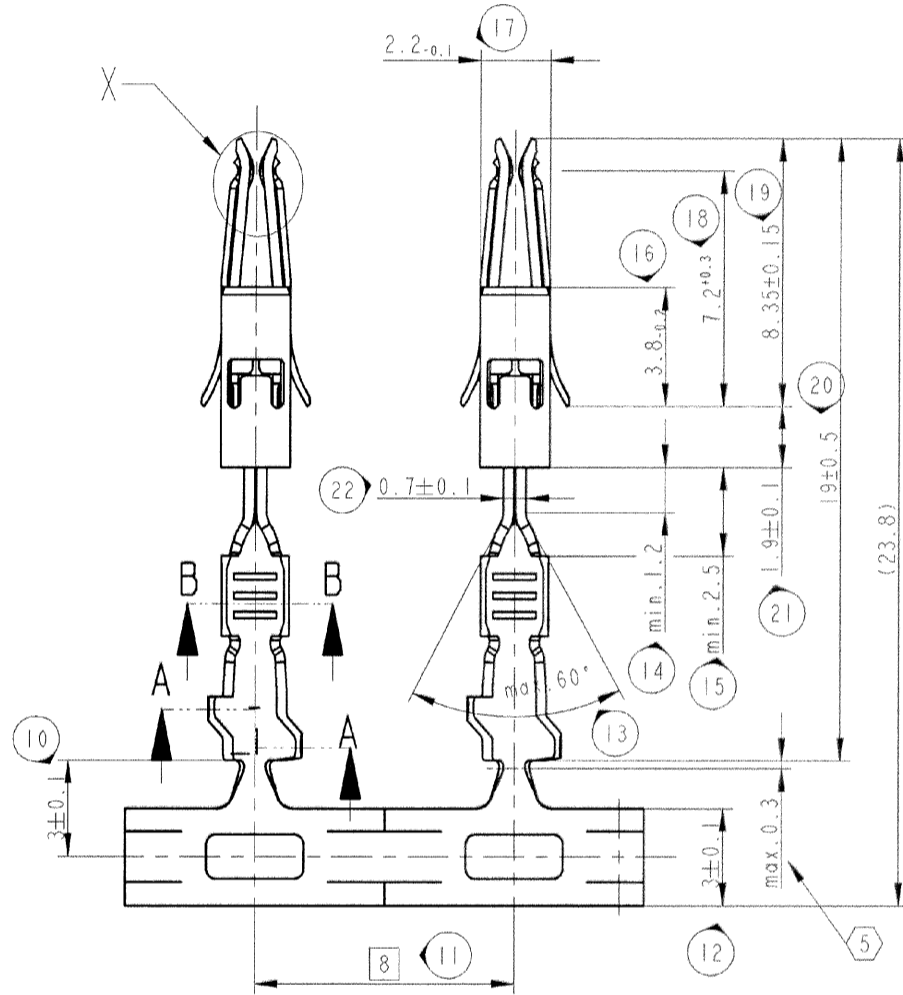
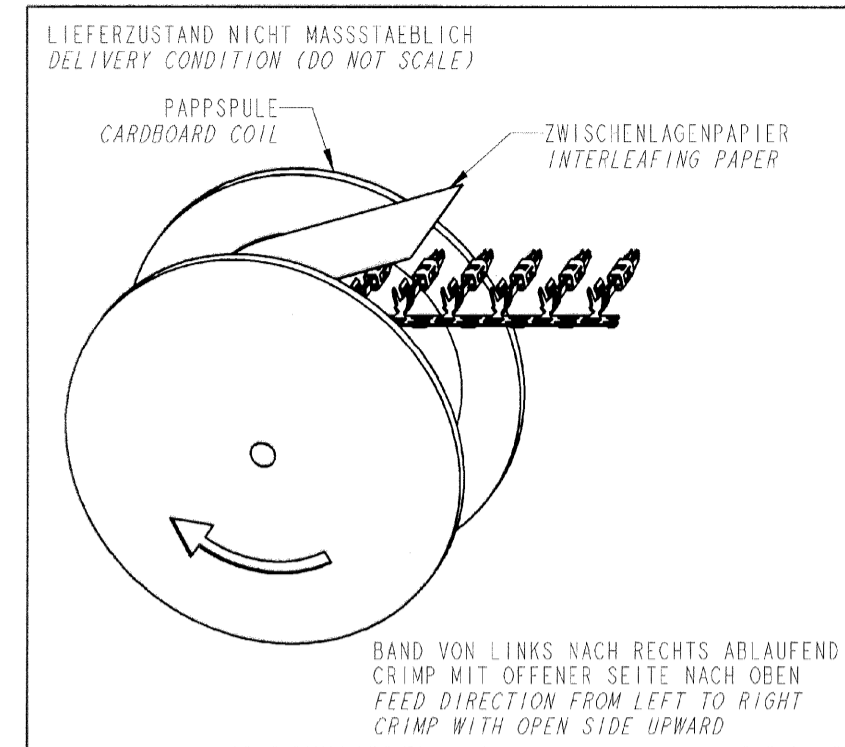
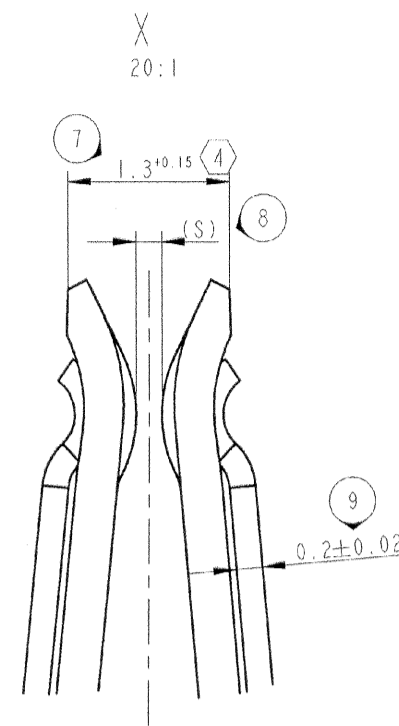
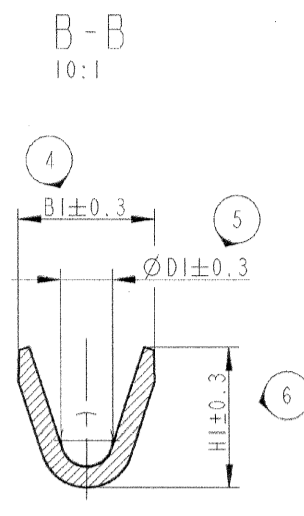
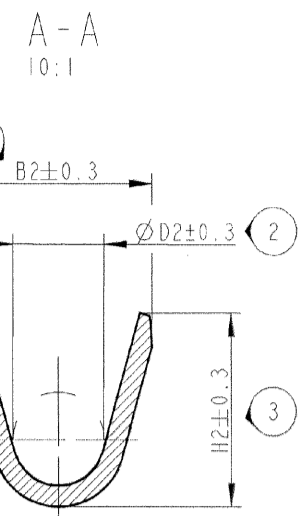


DWG STATUS					ZONE	REVISION HISTORY	AUTH	DR	APVD1	APVD2
DATE	STG	REV	N/P	CHG						
27JN07	R	01	-	-	-	INITIAL DRAWING RELEASE	-	KPU	LPA	RDE
20MR09	R	02	-	-	-	DRAWING UPDATED TO SUPPLIER'S LATEST PRINT	-	PKU	PMU	RDE
23JL09	R	03	-	-	-	DRAWING UPDATED TO SUPPLIER'S LATEST PRINT	-	PMU	ATE	RDE
13DE10	R	04	-	-	-	DRAWING CORRECTED	-	ZKA	PMU	RDE



BEMERKUNGEN / NOTES

39 ① FC1-FIRMENZEICHEN / FC1-SUPPLIER CODE
 40 ② TEILE CODE / PART-CODE
 41 ③ WOCHE UND JAHR DER HERSTELLUNG (605)
 ④ MASS OHNE LUFTSPALT GEMESSEN (DIMENSION MEASURE WITHOUT GAP)
 ⑤ MASS GILT NUR FÜR KABELKONFEKTIONÄR (DIMENSION ONLY FOR HARNESSMAKER)

ABWEICHUNGEN VON DER BILDLICHEN DARSTELLUNG IM BEREICH DER UEBERFEDER ZULAESSIG (DEVIATIONS FROM THE FIGURATIVE REPRESENTATION ARE PERMISSIBLE IN THE RANGE OF HOOD)

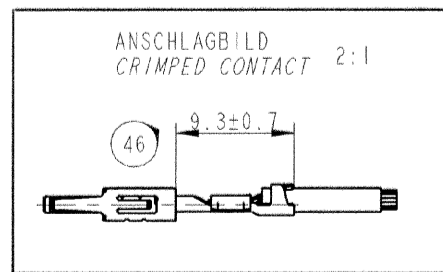
SPULEN HORIZONTAL TRANSPORTIEREN UND LAGERN! HALTESTREIFEN UNTEN! (REELS TRANSPORTED AND STORED HORIZONTAL! RETAINING STRIP DOWN!)

FÜR FLACHSTECKER / FOR MALE TERMINAL:
 0.6^{+0.07} x 1.6^{+0.1} // 0.8^{+0.03} x 1.6^{+0.1} (605)
 MIT OBERFLÄCHE / WITH FINISH
 1-3µm Sn // MIN. 0.8 µm Au AUFION 1.3-2µm Ni (605)
 ZUGEHÖRIGE KAMMER / REFERENCE CAVITY:
 9 000 03 00 (PIN 0.6mm) // 9 000 19 00 (PIN 0.8mm)
 FÜR LEITUNGEN / FOR CABLE: FLYBY DIN 72551-6

ÄNDERUNGEN, DIE DEM TECHNISCHEN FORTSCHRITT DIENEN, BEHALTEN WIR UNS VOR! / CHANGES BASED ON TECHNICAL PROGRESS ARE IN THE DECISION OF THE MANUFACTURER!

NOTE: PART(S) MUST COMPLY WITH CURRENT END-CUSTOMER REQUIREMENTS

TEILE-NR. PART NO.	ZUGEN-PIN FOR PIN	CRIMP-GRÖSSE CRIMP SIZE (mm ²)	TEILE CODE PART CODE	OBERFLÄCHE SURFACE FINISH	GRUNDKÖRPER CONTACT BODY	UEBERFEDER HOOD	MATERIAL	MASSE / DIMENSIONS
(S)	B1	D1	H1	B2	D2	H2	A	
605 F888000	1.5 x 0.8	>1.0-1.5	3K	1.27µm Au	CuSn4 R540		X10CrNi18 8 NACH/ ACC. DIN EN 10151	0.3 ^{+0.25}
6 000 13 44	1.5 x 0.6		3E	1.27µm Au	CuSn4 R540			0.2 ^{+0.25}
605 F788000	1.5 x 0.8		3H	0.8µm Au	CuSn4 R540			0.3 ^{+0.25}
6 000 05 44	1.5 x 0.6		3D	0.8µm Au	CuSn4 R540			0.2 ^{+0.25}
605 F688000	1.5 x 0.8		3T	1-3µm FEUERVERZINNT 1-3µm HOT TIN DIP	CuFe2P R470			0.2 ^{+0.25}
6 000 05 41	1.5 x 0.6		3L	1-3µm FEUERVERZINNT 1-3µm HOT TIN DIP	CuFe2P R470			0 ^{+0.1}
605 F588000	1.5 x 0.8	0.5-1.0	2K	1.27µm Au	CuSn4 R540			0.3 ^{+0.25}
6 000 13 34	1.5 x 0.6		2E	1.27µm Au	CuSn4 R540			0.2 ^{+0.25}
605 F488000	1.5 x 0.8		2H	0.8µm Au	CuSn4 R540			0.3 ^{+0.25}
6 000 05 34	1.5 x 0.6		2D	0.8µm Au	CuSn4 R540			0.2 ^{+0.25}
605 F388000	1.5 x 0.8		2T	1-3µm FEUERVERZINNT 1-3µm HOT TIN DIP	CuFe2P R470			0.2 ^{+0.25}
6 000 05 31	1.5 x 0.6		2L	1-3µm FEUERVERZINNT 1-3µm HOT TIN DIP	CuFe2P R470			0 ^{+0.1}
605 F288000	1.5 x 0.8	>0.20-0.35	1K	1.27µm Au	CuSn4 R540			0.3 ^{+0.25}
6 000 13 14	1.5 x 0.6		1E	1.27µm Au	CuSn4 R540			0.2 ^{+0.25}
605 F188000	1.5 x 0.8		1H	0.8µm Au	CuSn4 R540			0.3 ^{+0.25}
6 000 05 14	1.5 x 0.6		1D	0.8µm Au	CuSn4 R540			0.2 ^{+0.25}
605 F088000	1.5 x 0.8		1T	1-3µm FEUERVERZINNT 1-3µm HOT TIN DIP	CuFe2P R470			0.2 ^{+0.25}
6 000 05 11	1.5 x 0.6		1L	1-3µm FEUERVERZINNT 1-3µm HOT TIN DIP	CuFe2P R470			0 ^{+0.1}



055/08	07.02.08	605	-	NEUE VARIANTEN HINZU				
327/06	09.05.06	F04	-	UEBERARBEITUNG / PRO-E DATE!				
TEIL-NR. PART NO.	DATE	REV	N/P	CHANGE DESCRIPTION	DRAWN BY	CHK. BY	APPR. BY	DATE
---	---	---	---	---	---	---	---	---
9 084 10 00								
055/08	07.02.08	605	-	NEUE VARIANTEN HINZU				
327/06	09.05.06	F04	-	UEBERARBEITUNG / PRO-E DATE!				
TEIL-NR. PART NO.	DATE	REV	N/P	CHANGE DESCRIPTION	DRAWN BY	CHK. BY	APPR. BY	DATE
---	---	---	---	---	---	---	---	---
9 084 10 00								
055/08	07.02.08	605	-	NEUE VARIANTEN HINZU				
327/06	09.05.06	F04	-	UEBERARBEITUNG / PRO-E DATE!				
TEIL-NR. PART NO.	DATE	REV	N/P	CHANGE DESCRIPTION	DRAWN BY	CHK. BY	APPR. BY	DATE
---	---	---	---	---	---	---	---	---
9 084 10 00								
055/08	07.02.08	605	-	NEUE VARIANTEN HINZU				
327/06	09.05.06	F04	-	UEBERARBEITUNG / PRO-E DATE!				
TEIL-NR. PART NO.	DATE	REV	N/P	CHANGE DESCRIPTION	DRAWN BY	CHK. BY	APPR. BY	DATE
---	---	---	---	---	---	---	---	---
9 084 10 00								
055/08	07.02.08	605	-	NEUE VARIANTEN HINZU				
327/06	09.05.06	F04	-	UEBERARBEITUNG / PRO-E DATE!				
TEIL-NR. PART NO.	DATE	REV	N/P	CHANGE DESCRIPTION	DRAWN BY	CHK. BY	APPR. BY	DATE
---	---	---	---	---	---	---	---	---
9 084 10 00								
055/08	07.02.08	605	-	NEUE VARIANTEN HINZU				
327/06	09.05.06	F04	-	UEBERARBEITUNG / PRO-E DATE!				
TEIL-NR. PART NO.	DATE	REV	N/P	CHANGE DESCRIPTION	DRAWN BY	CHK. BY	APPR. BY	DATE
---	---	---	---	---	---	---	---	---
9 084 10 00								
055/08	07.02.08	605	-	NEUE VARIANTEN HINZU				
327/06	09.05.06	F04	-	UEBERARBEITUNG / PRO-E DATE!				
TEIL-NR. PART NO.	DATE	REV	N/P	CHANGE DESCRIPTION	DRAWN BY	CHK. BY	APPR. BY	DATE
---	---	---	---	---	---	---	---	---
9 084 10 00								
055/08	07.02.08	605	-	NEUE VARIANTEN HINZU				
327/06	09.05.06	F04	-	UEBERARBEITUNG / PRO-E DATE!				
TEIL-NR. PART NO.	DATE	REV	N/P	CHANGE DESCRIPTION	DRAWN BY	CHK. BY	APPR. BY	DATE
---	---	---	---	---	---	---	---	---
9 084 10 00								
055/08	07.02.08	605	-	NEUE VARIANTEN HINZU				
327/06	09.05.06	F04	-	UEBERARBEITUNG / PRO-E DATE!				
TEIL-NR. PART NO.	DATE	REV	N/P	CHANGE DESCRIPTION	DRAWN BY	CHK. BY	APPR. BY	DATE
---	---	---	---	---	---	---	---	---
9 084 10 00								
055/08	07.02.08	605	-	NEUE VARIANTEN HINZU				
327/06	09.05.06	F04	-	UEBERARBEITUNG / PRO-E DATE!				
TEIL-NR. PART NO.	DATE	REV	N/P	CHANGE DESCRIPTION	DRAWN BY	CHK. BY	APPR. BY	DATE
---	---	---	---	---	---	---	---	---
9 084 10 00								
055/08	07.02.08	605	-	NEUE VARIANTEN HINZU				
327/06	09.05.06	F04	-	UEBERARBEITUNG / PRO-E DATE!				
TEIL-NR. PART NO.	DATE	REV	N/P	CHANGE DESCRIPTION	DRAWN BY	CHK. BY	APPR. BY	DATE
---	---	---	---	---	---	---	---	---
9 084 10 00								
055/08	07.02.08	605	-	NEUE VARIANTEN HINZU				
327/06	09.05.06	F04	-	UEBERARBEITUNG / PRO-E DATE!				
TEIL-NR. PART NO.	DATE	REV	N/P	CHANGE DESCRIPTION	DRAWN BY	CHK. BY	APPR. BY	DATE
---	---	---	---	---	---	---	---	---
9 084 10 00								
055/08	07.02.08	605	-	NEUE VARIANTEN HINZU				
327/06	09.05.06	F04	-	UEBERARBEITUNG / PRO-E DATE!				
TEIL-NR. PART NO.	DATE	REV	N/P	CHANGE DESCRIPTION	DRAWN BY	CHK. BY	APPR. BY	DATE
---	---	---	---	---	---	---	---	---
9 084 10 00								
055/08	07.02.08	605	-	NEUE VARIANTEN HINZU				
327/06	09.05.06	F04	-	UEBERARBEITUNG / PRO-E DATE!				
TEIL-NR. PART NO.	DATE	REV	N/P	CHANGE DESCRIPTION	DRAWN BY	CHK. BY	APPR. BY	DATE
---	---	---	---	---	---	---	---	---
9 084 10 00								
055/08	07.02.08	605	-	NEUE VARIANTEN HINZU				
327/06	09.05.06	F04	-	UEBERARBEITUNG / PRO-E DATE!				
TEIL-NR. PART NO.	DATE	REV	N/P	CHANGE DESCRIPTION	DRAWN BY	CHK. BY	APPR. BY	DATE
---	---	---	---	---	---	---	---	---
9 084 10 00								
055/08	07.02.08	605	-	NEUE VARIANTEN HINZU				
327/06	09.05.06	F04	-	UEBERARBEITUNG / PRO-E DATE!				
TEIL-NR. PART NO.	DATE	REV	N/P	CHANGE DESCRIPTION	DRAWN BY	CHK. BY	APPR. BY	DATE
---	---	---	---	---	---	---	---	---
9 084 10 00								
055/08	07.02.08	605	-	NEUE VARIANTEN HINZU				
327/06	09.05.06	F04	-	UEBERARBEITUNG / PRO-E DATE!				
TEIL-NR. PART NO.	DATE	REV	N/P	CHANGE DESCRIPTION	DRAWN BY	CHK. BY	APPR. BY	DATE
---	---	---	---	---	---	---	---	---
9 084 10 00								
055/08	07.02.08	605	-	NEUE VARIANTEN HINZU				
327/06	09.05.06	F04	-	UEBERARBEITUNG / PRO-E DATE!				
TEIL-NR. PART NO.	DATE	REV	N/P	CHANGE DESCRIPTION	DRAWN BY	CHK. BY	APPR. BY	DATE
---	---	---	---	---	---	---	---	---
9 084 10 00								
055/08	07.02.08	605	-	NEUE VARIANTEN HINZU				
327/06	09.05.06	F04	-	UEBERARBEITUNG / PRO-E DATE!				
TEIL-NR. PART NO.	DATE	REV	N/P	CHANGE DESCRIPTION	DRAWN BY	CHK. BY	APPR. BY	DATE
---	---	---	---	---	---	---	---	---
9 084 10 00								
055/08	07.02.08	605	-	NEUE VARIANTEN HINZU				
327/06	09.05.06	F04	-	UEBERARBEITUNG / PRO-E DATE!				
TEIL-NR. PART NO.	DATE	REV	N/P	CHANGE DESCRIPTION	DRAWN BY	CHK. BY	APPR. BY	DATE
---	---	---	---	---	---	---	---	---
9 084 10 00								
055/08	07.02.08	605	-	NEUE VARIANTEN HINZU				
327/06	09.05.06	F04	-	UEBERARBEITUNG / PRO-E DATE!				
TEIL-NR. PART NO.	DATE	REV	N/P	CHANGE DESCRIPTION	DRAWN BY	CHK. BY	APPR. BY	DATE
---	---	---	---	---	---	---	---	---
9 084 10 00								
055/08	07.02.08	605	-	NEUE VARIANTEN HINZU				
327/06	09.05.06	F04	-	UEBERARBEITUNG / PRO-E DATE!				
TEIL-NR. PART NO.	DATE	REV	N/P	CHANGE DESCRIPTION	DRAWN BY	CHK. BY	APPR. BY	DATE
---	---	---	---	---	---	---	---	---
9 084 10 00					</			