

LR1-D

~14° diffused spot beam optimized for LUXEON Rebel. 14.3 mm high assembly.

TECHNICAL SPECIFICATIONS:

Dimensions	Ø 21.6 mm
Height	14.3 mm
Fastening	glue
ROHS compliant	yes ⓘ

MATERIAL SPECIFICATIONS:

Component	Type	Material	Colour	Finish
F10628_LR1-D	Single lens	PMMA	clear	
C10445_LR-LH1	Holder	PC	white	

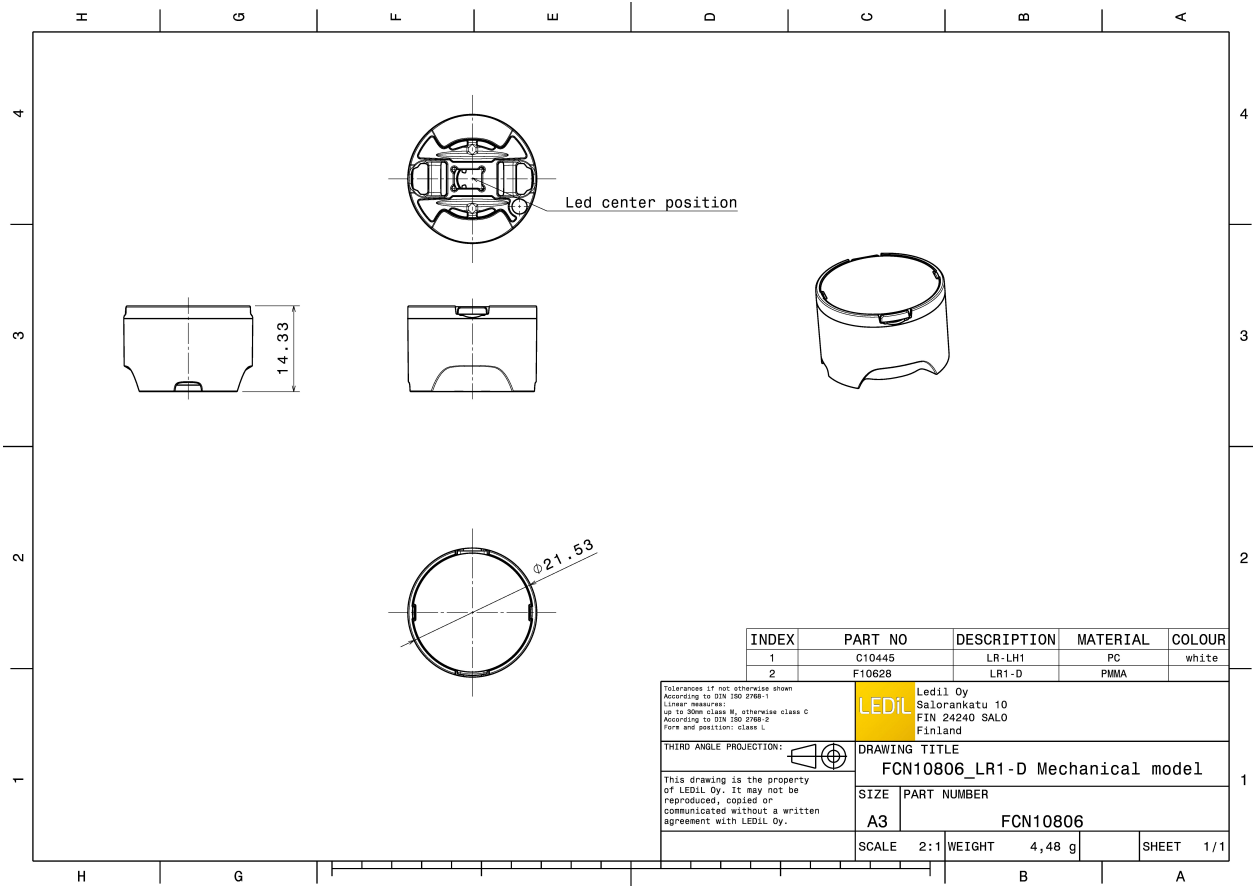
ORDERING INFORMATION:

Quantities for one set:

Single lens	1
Holder	1



Component		Qty in box	MOQ	MPQ	Box weight (kg)
F10628_LR1-D	Single lens	1632	288	48	6.1
» Box size: 470 x 235 x 270 mm					
C10445_LR-LH1	Holder	4000	288	48	7.1
» Box size: 480 x 280 x 300 mm					



See also our general installation guide: www.ledil.com/installation_guide

PHOTOMETRIC DATA (MEASURED):



LED LUXEON Rebel
FWHM / FWTM 11.0°
Efficiency 94 %
LEDs/each optic 1
Light colour White
Required components:

