

## CRYSTAL-RS

~5.1° spot beam

### TECHNICAL SPECIFICATIONS:

Dimensions	Ø 46.8 mm
Height	27.4 mm
Fastening	snaps
ROHS compliant	yes ⓘ

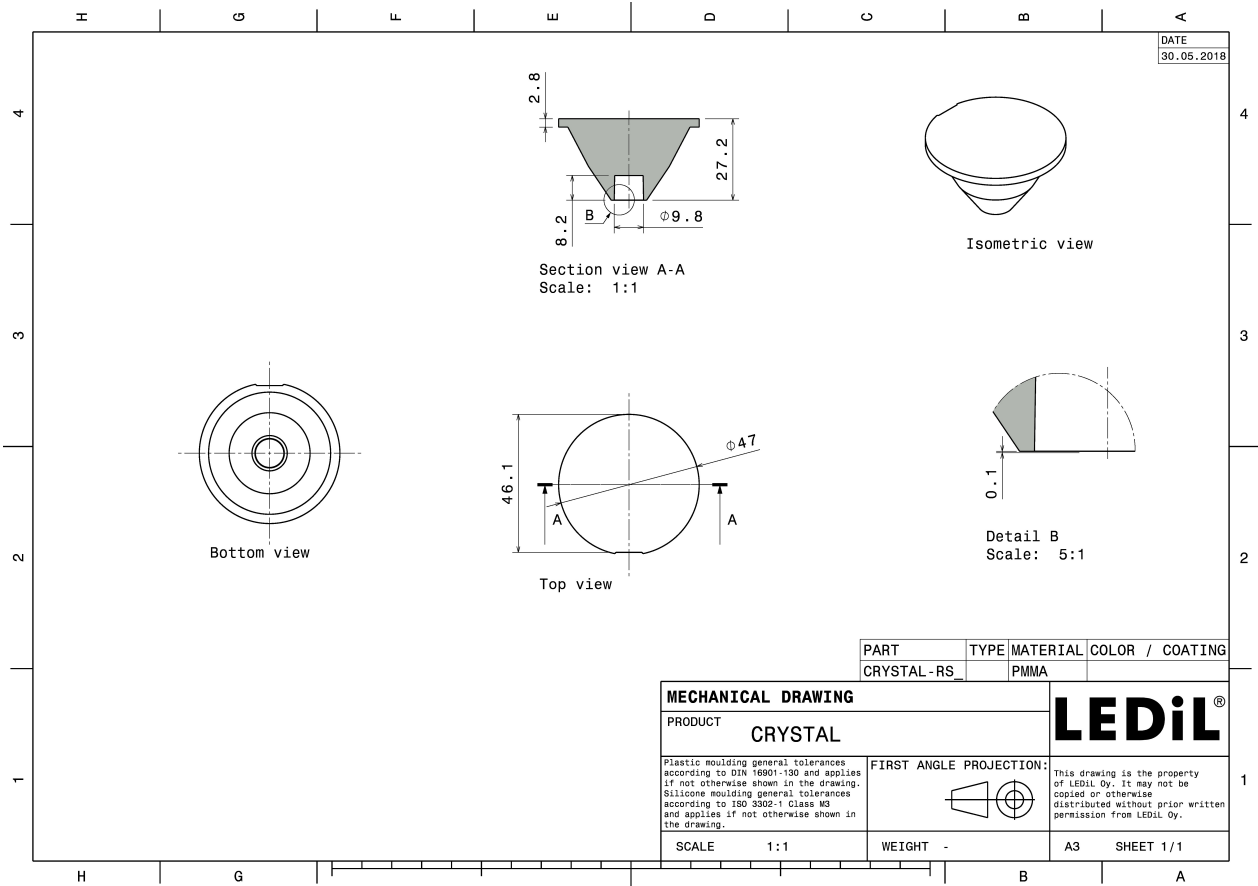
### MATERIAL SPECIFICATIONS:

Component	Type	Material	Colour	Finish
CRYSTAL-RS	Single lens	PMMA	clear	



### ORDERING INFORMATION:

Component	Qty in box	MOQ	MPQ	Box weight (kg)
F12916_CRYSTAL-RS » Box size: 480 x 280 x 300 mm	288	64	32	8.6

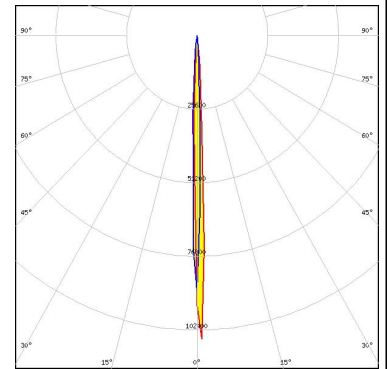


See also our general installation guide: [www.ledil.com/installation\\_guide](http://www.ledil.com/installation_guide)

#### PHOTOMETRIC DATA (MEASURED):

##### CREE LED

LED XP-E  
 FWHM / FWTM 3.3° / 8.5°  
 Efficiency 93 %  
 Peak intensity 106 cd/lm  
 LEDs/each optic 1  
 Light colour White  
 Required components:

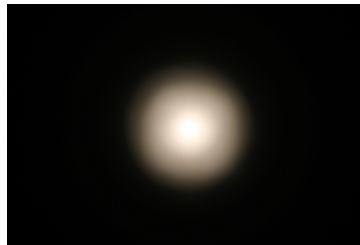


##### CREE LED

LED XP-G  
 FWHM / FWTM 4.9° / 11.4°  
 Efficiency 89 %  
 Peak intensity 68.3 cd/lm  
 LEDs/each optic 1  
 Light colour White  
 Required components:

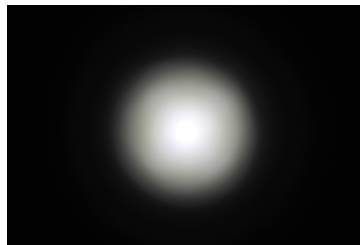
##### LUMILEDS

LED LUXEON A  
 FWHM / FWTM 5.1° / 14.0°  
 Efficiency 89 %  
 Peak intensity 58.9 cd/lm  
 LEDs/each optic 1  
 Light colour White  
 Required components:



##### NICHIA

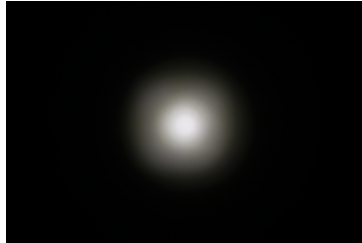
LED NVSxx19B/NVSxx19C  
 FWHM / FWTM 5.3° / 17.0°  
 Efficiency 89 %  
 Peak intensity 42.5 cd/lm  
 LEDs/each optic 1  
 Light colour White  
 Required components:



#### PHOTOMETRIC DATA (MEASURED):

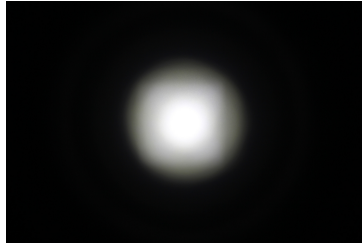
### SAMSUNG

LED LH351B  
FWHM / FWTM 5.3° / 14.0°  
Efficiency 90 %  
Peak intensity 57 cd/lm  
LEDs/each optic 1  
Light colour White  
Required components:



### SAMSUNG

LED LH351Z  
FWHM / FWTM 4.4° / 12.0°  
Efficiency 90 %  
Peak intensity 77 cd/lm  
LEDs/each optic 1  
Light colour White  
Required components:



### PHOTOMETRIC DATA (SIMULATED):



LED	XHP35.2
FWHM / FWTM	9.0° / 20.0°
Efficiency	92 %
Peak intensity	22.6 cd/lm
LEDs/each optic	1
Light colour	White
Required components:	

