

STELLA-FRESNEL

~25° beam for UV-C, warehouse and outdoor lighting. Compatible with up to 30 mm LES size COBs.

SPECIFICATION:

Dimensions	Ø 85.0 mm
Height	23 mm
Fastening	screw
ROHS compliant	yes ⓘ

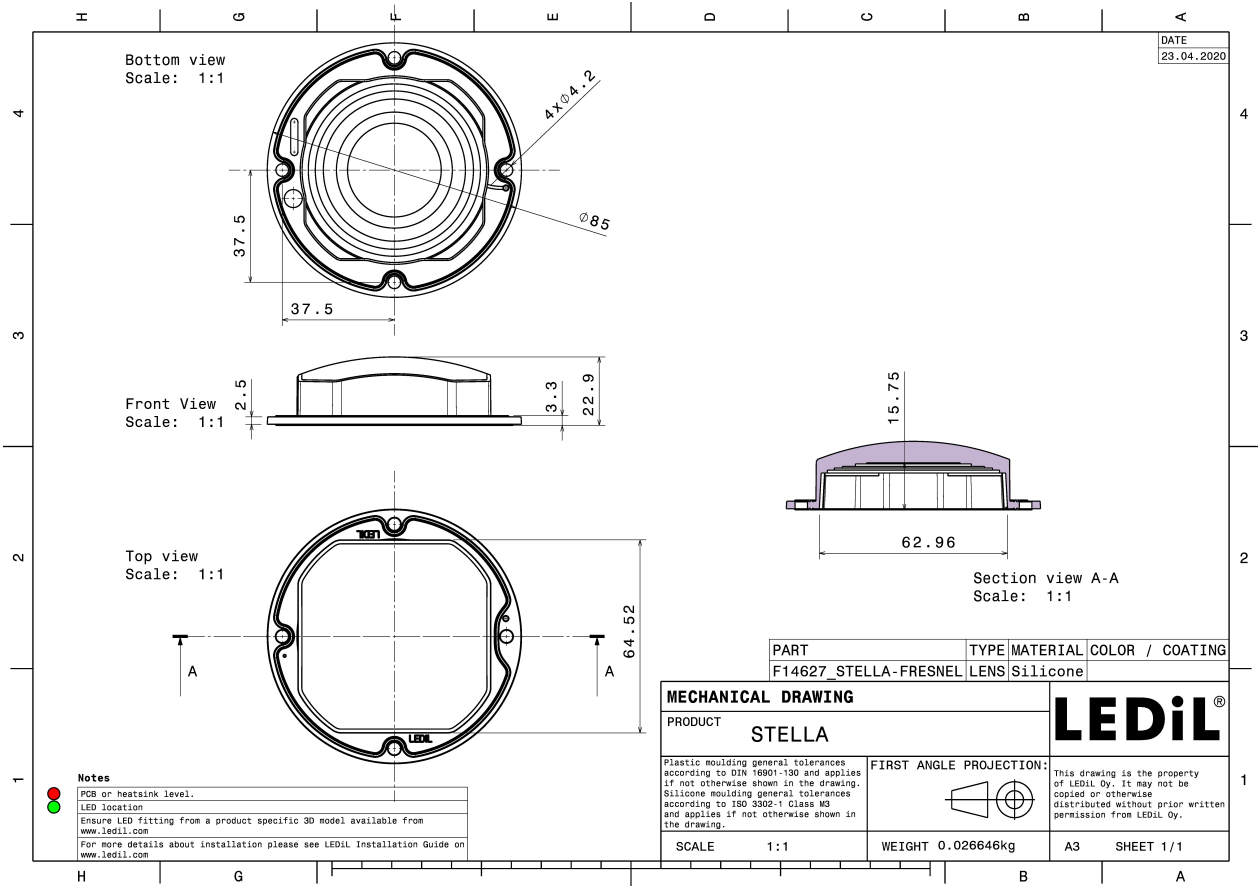


MATERIALS:

Component	Type	Material	Colour	Finish
STELLA-FRESNEL	Single lens	Silicone	clear	

ORDERING INFORMATION:

Component	Qty in box	MOQ	MPQ	Box weight (kg)
F14627_STELLA-FRESNEL » Box size: 480 x 280 x 300 mm	90		10	3.7

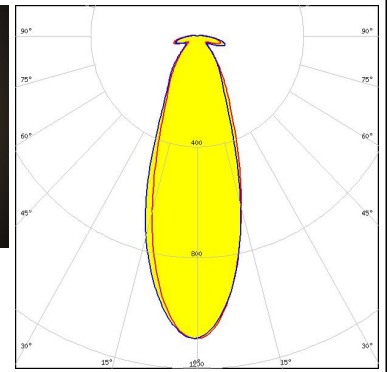
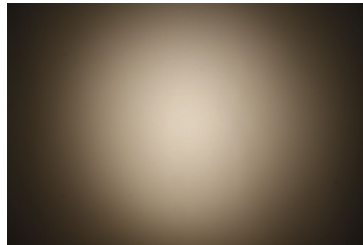


See also our general installation guide: www.ledil.com/installation_guide

OPTICAL RESULTS (MEASURED):

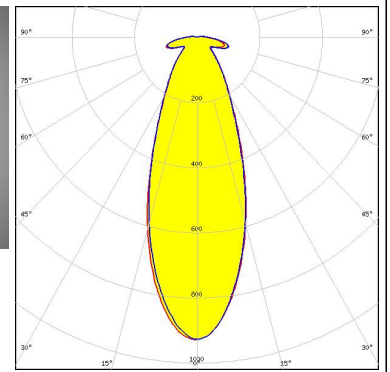
CITIZEN

LED CLL04x/CLU04x
 FWHM / FWTM 36.0° / 99.0°
 Efficiency 86 %
 Peak intensity 1.1 cd/lm
 LEDs/each optic 1
 Light colour White
 Required components:



LUMILEDS

LED LUXEON CoB 1213/1216/1812
 FWHM / FWTM 39.0° / 139.0°
 Efficiency 86 %
 Peak intensity 0.9 cd/lm
 LEDs/each optic 1
 Light colour White
 Required components:



OPTICAL RESULTS (SIMULATED):

CITIZEN

LED	CLL02x/CLU02x (LES10)
FWHM / FWTM	17.0° / 35.0°
Efficiency	86 %
Peak intensity	4 cd/lm
LEDs/each optic	1
Light colour	White
Required components:	

