

ANGELETTE-DL

Diffusing sublens for symmetrical ANGELETTE reflectors

TECHNICAL SPECIFICATIONS:

| | |
|----------------|------------|
| Dimensions | Ø 105.9 mm |
| Height | 1.9 mm |
| Fastening | clips |
| ROHS compliant | yes ⓘ |

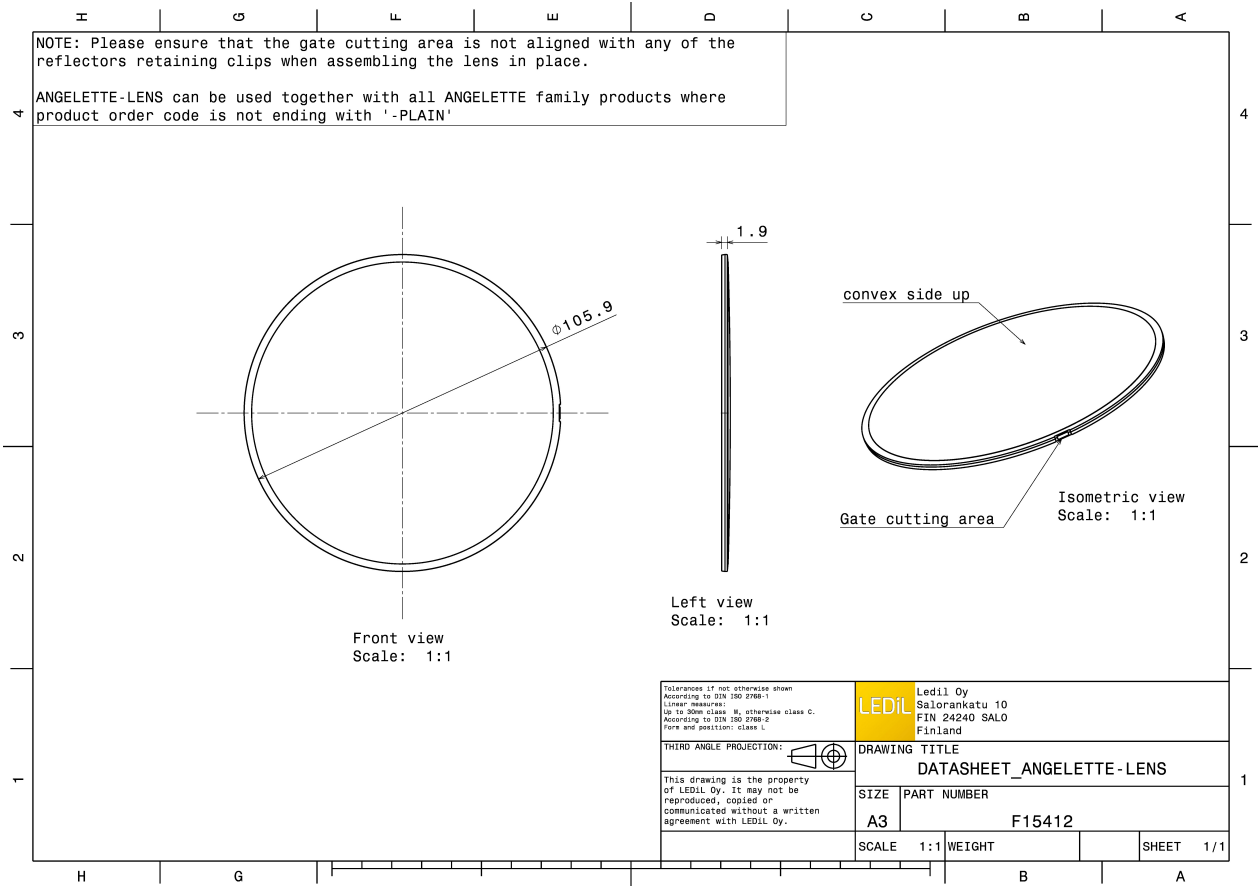
MATERIAL SPECIFICATIONS:

| Component | Type | Material | Colour | Finish |
|--------------|---------|----------|--------|--------|
| ANGELETTE-DL | Sublens | PMMA | clear | |

ORDERING INFORMATION:

| Component | Qty in box | MOQ | MPQ | Box weight (kg) |
|---|------------|-----|-----|-----------------|
| F15412_ANGELETTE-DL » Box size: 470 x 235 x 270 mm | 144 | 72 | 72 | 3.5 |





See also our general installation guide: www.ledil.com/installation_guide