

LINNEA-END-FS

Short, female end cap compatible with LINNEA

SPECIFICATION:

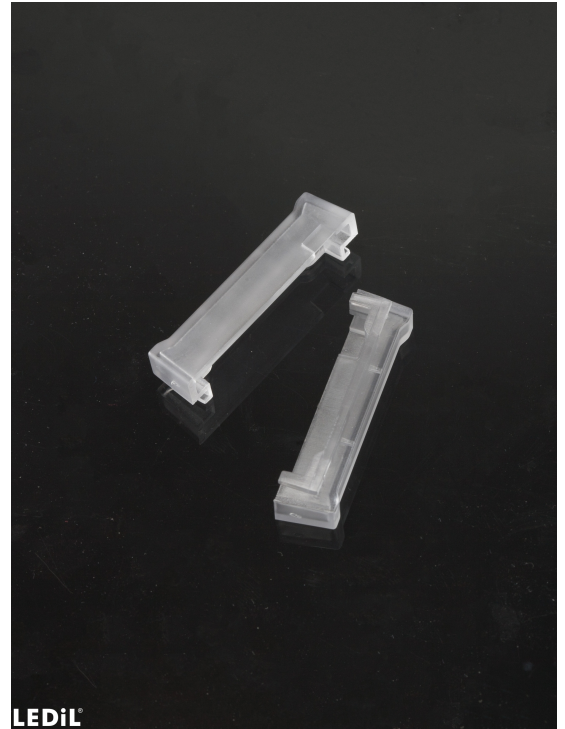
Dimensions	40.0 x 8.6 mm
Height	9.5 mm
ROHS compliant	yes ⓘ

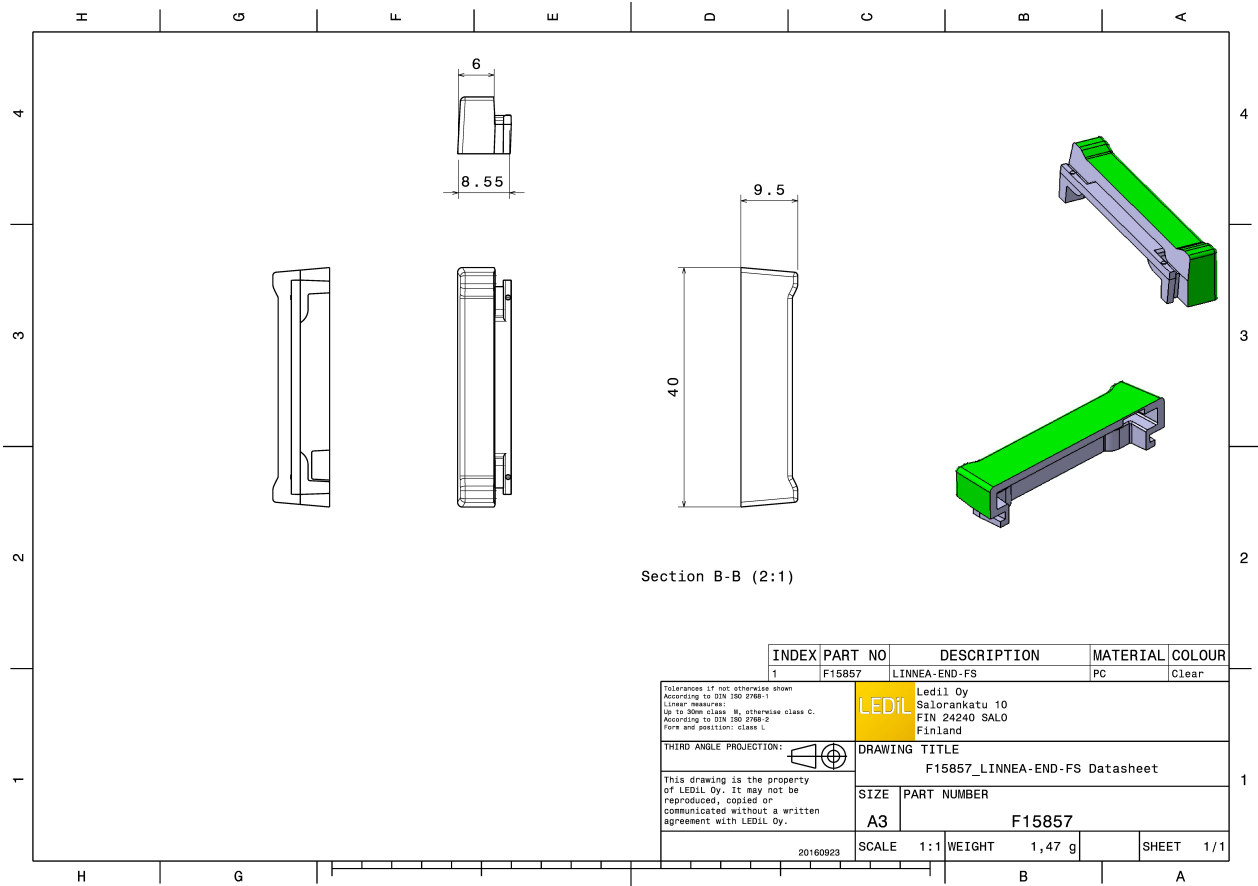
MATERIALS:

Component	Type	Material	Colour	Finish
LINNEA-END-FS	Accessory	PC	clear	

ORDERING INFORMATION:

Component	Qty in box	MOQ	MPQ	Box weight (kg)
F15857_LINNEA-END-FS » Box size: 398 x 298 x 265 mm	6000	300	300	9.3





See also our general installation guide: www.ledil.com/installation_guide

AVAILABLE LEDiL PRODUCTS:

Product name	Description
F15523_LINNEA-90	~90° + 90° wide beam optimized for 1.0 mm metal sheet or profile. Variant made from PC.
F15524_LINNEA-60	~60° + 90° beam optimized for 1.0 mm metal sheet or profile. Variant made from PC.
F15756_LINNEA-O	~35° + 70° oval beam optimized for 1.0 mm metal sheet or profile. Variant made from PC.
F15860_LINNEA-Z2T25	Double asymmetric beam for aisle and shelf lighting optimized for 1.0 mm metal sheet or profile. Variant made from PC.
F15861_LINNEA-ZT25	Asymmetric beam for wall-washing and 1.0 mm metal sheet or profile. Variant made from PC.
F15940_LINNEA-90-B	~90° + 90° wide beam optimized for 0.5 mm metal sheet or profile. Variant made from PC.
F15941_LINNEA-60-B	~60° + 90° beam optimized for 0.5 mm metal sheet or profile. Variant made from PC.
F15952_LINNEA-O-B	~35° + 70° oval beam optimized for 0.5 mm metal sheet or profile. Variant made from PC.
F15999_LINNEA-Z2T25-B	Double asymmetric beam for aisle and shelf lighting optimized for 0.5 mm metal sheet or profile. Variant made from PC.
F16000_LINNEA-ZT25-B	Asymmetric beam for wall-washing optimized for 0.5 mm metal sheet or profile. Variant made from PC.
F16048_LINNEA-UP	Asymmetric beam for uplighting optimized for 1.0 mm metal sheet or profile. Variant made from PC.
F16810_LINNEA-ZT25-B-PMMA	Asymmetric beam for wall-washing optimized for 0.5 mm metal sheet or profile. Variant made from PMMA.
F16811_LINNEA-90-PMMA	~90° + 90° wide beam optimized for 1.0 mm metal sheet or profile. Variant made from PMMA.
F16812_LINNEA-90-B-PMMA	~90° + 90° wide beam optimized for 0.5 mm metal sheet or profile. Variant made from PMMA.
F16813_LINNEA-60-PMMA	~60° + 90° beam optimized for 1.0 mm metal sheet or profile. Variant made from PMMA.

AVAILABLE LEDiL PRODUCTS:

Product name	Description
F16814_LINNEA-60-B-PMMA	~60° + 90° beam optimized for 0.5 mm metal sheet or profile. Variant made from PMMA.
F16816_LINNEA-O-PMMA	~35° + 70° oval beam optimized for 1.0 mm metal sheet or profile. Variant made from PMMA.
F16817_LINNEA-O-B-PMMA	~35° + 70° oval beam optimized for 0.5 mm metal sheet or profile. Variant made from PMMA.
F16842_LINNEA-ZT25-PMMA	Asymmetric beam for wall-washing and 1.0 mm metal sheet or profile. Variant made from PMMA.
F16843_LINNEA-Z2T25-PMMA	Double asymmetric beam for aisle and shelf lighting optimized for 1.0 mm metal sheet or profile. Variant made from PMMA..
F16844_LINNEA-Z2T25-B-PMMA	Double asymmetric beam for aisle and shelf lighting optimized for 0.5 mm metal sheet or profile. Variant made from PMMA..
F16845_LINNEA-UP-PMMA	Asymmetric beam for uplighting optimized for 1.0 mm metal sheet or profile. Variant made from PMMA.
F18194_LINNEA-Z2T25	Double asymmetric beam for aisle and shelf lighting with flat support pins optimized for 1.0 mm metal sheet or profile. Variant made from PC