

LINNEA-90-END-ML

Long, male end cap compatible with LINNEA-90

TECHNICAL SPECIFICATIONS:

Dimensions	40.0 x 44.0 mm
Height	9.5 mm
Fastening	clips
ROHS compliant	yes ⓘ

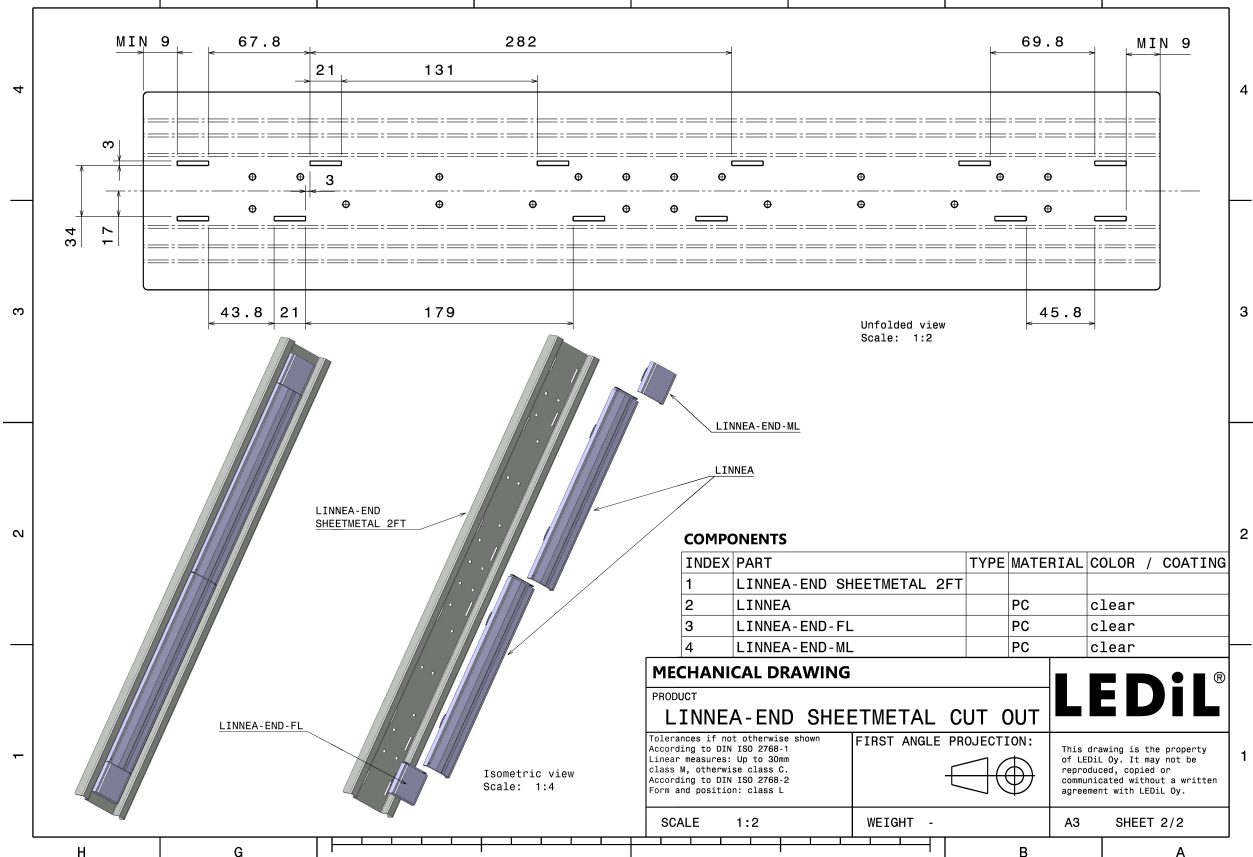
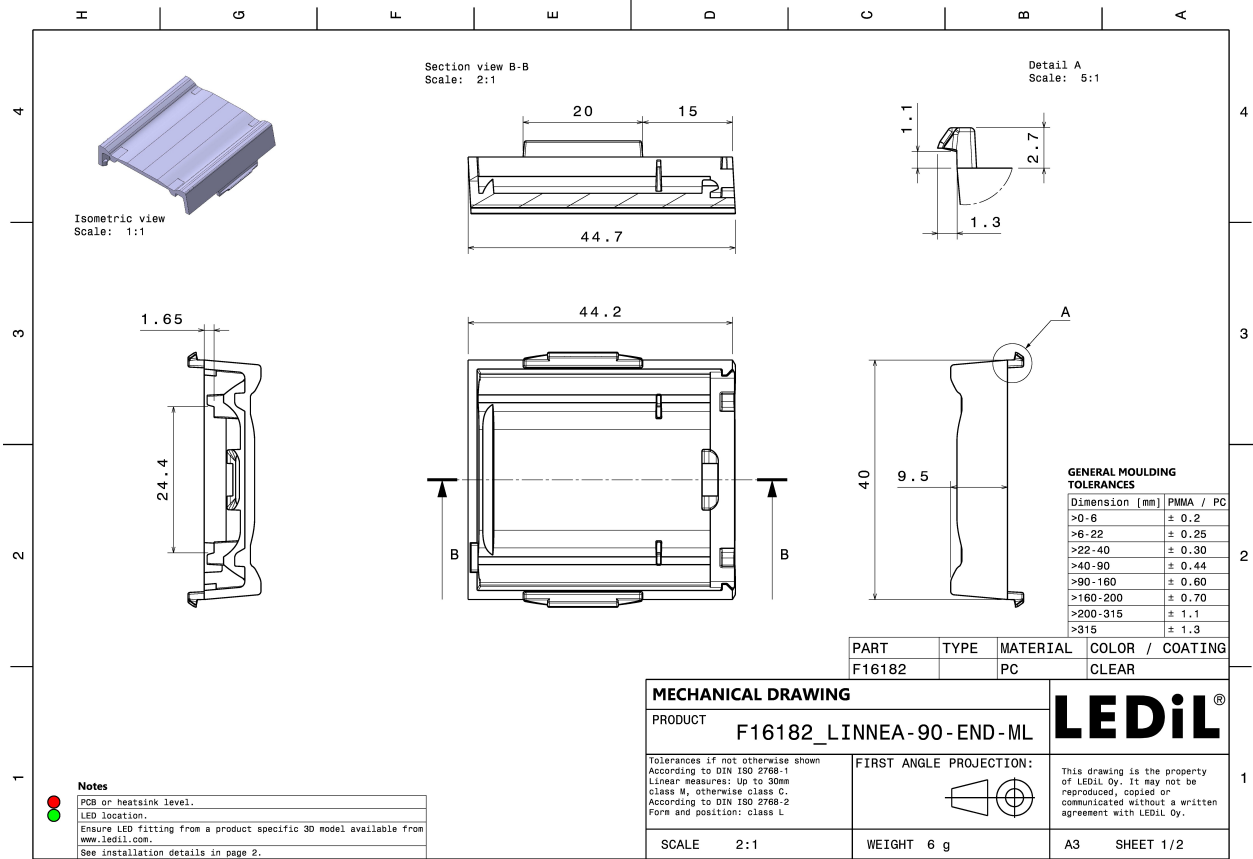
MATERIAL SPECIFICATIONS:

Component	Type	Material	Colour	Finish
LINNEA-90-END-ML	Accessory	PC	clear	

ORDERING INFORMATION:

Component	Qty in box	MOQ	MPQ	Box weight (kg)
F16182_LINNEA-90-END-ML » Box size: 398 x 298 x 265 mm	972	54	54	7.5





See also our general installation guide: www.ledil.com/installation_guide

AVAILABLE LEDiL PRODUCTS:

Product name	Description
F15523_LINNEA-90	~90° + 90° wide beam optimized for 1.0 mm metal sheet or profile. Variant made from PC.