

LINNEA-90-END-B-ML

Long, male end cap compatible with LINNEA-90-B

SPECIFICATION:

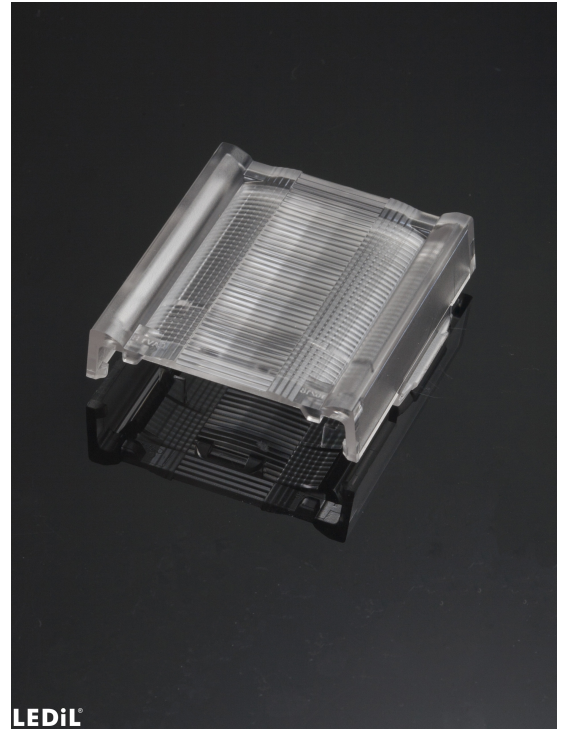
| | |
|----------------|----------------|
| Dimensions | 40.0 x 44.0 mm |
| Height | 9.5 mm |
| Fastening | clips |
| ROHS compliant | yes ⓘ |

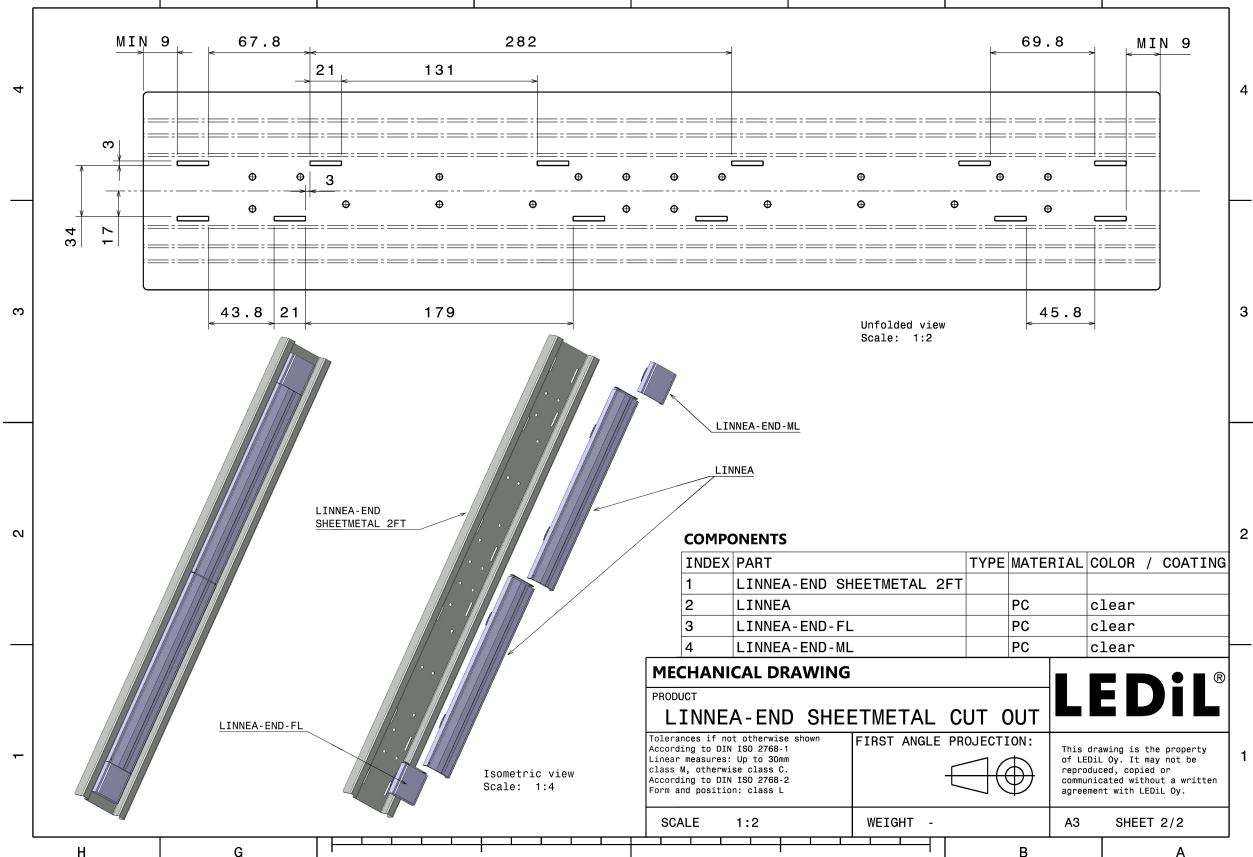
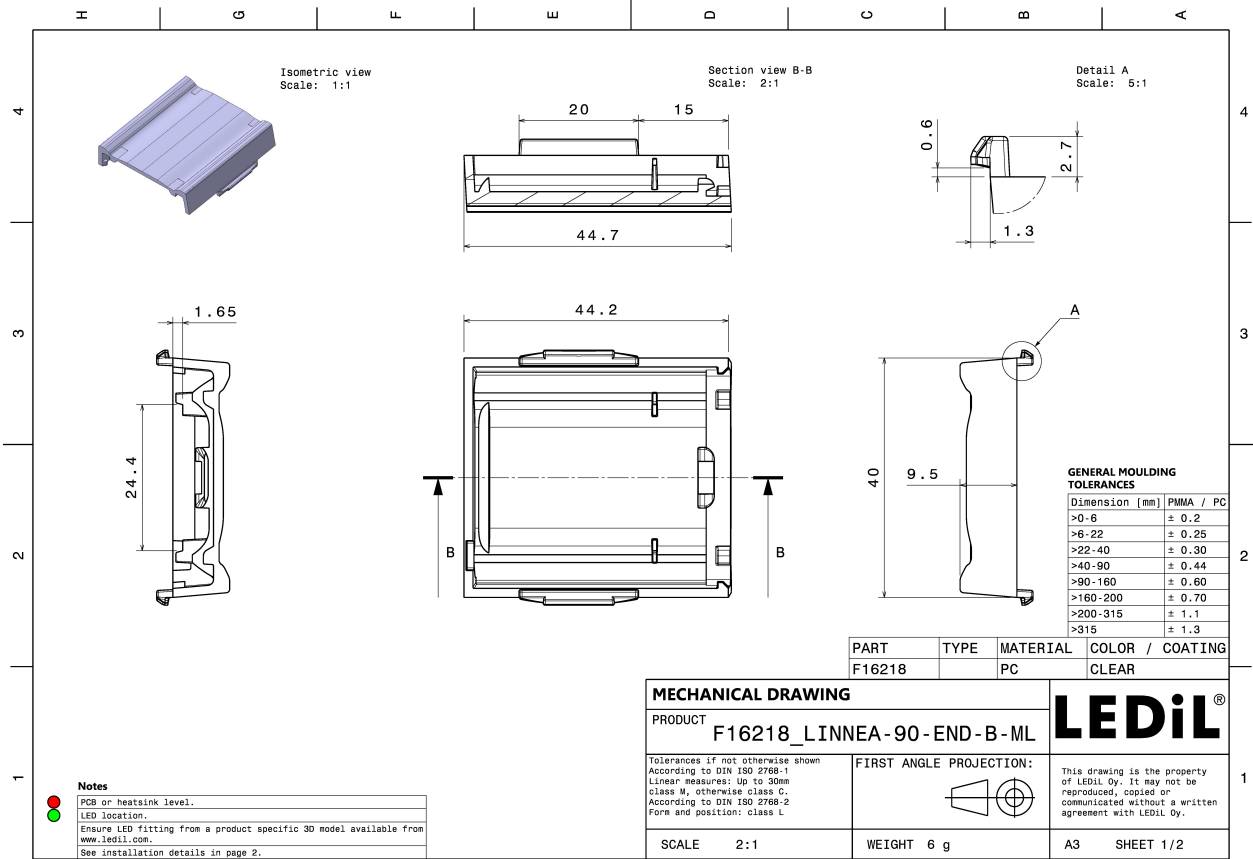
MATERIALS:

| Component | Type | Material | Colour | Finish |
|--------------------|-----------|----------|--------|--------|
| LINNEA-90-END-B-ML | Accessory | PC | clear | |

ORDERING INFORMATION:

| Component | Qty in box | MOQ | MPQ | Box weight (kg) |
|---|------------|-----|-----|-----------------|
| F16218_LINNEA-90-END-B-ML » Box size: 398 x 298 x 265 mm | 972 | 54 | 54 | 7.5 |





See also our general installation guide: www.ledil.com/installation_guide

AVAILABLE LEDiL PRODUCTS:

| Product name | Description |
|--------------------|---|
| F15940_LINNEA-90-B | ~90° + 90° wide beam optimized for 0.5 mm metal sheet or profile. Variant made from PC. |