

LINNEA-90-END-B-FL

Long, female end cap compatible with LINNEA-90-B

SPECIFICATION:

Dimensions	40.0 x 44.0 mm
Height	9.5 mm
Fastening	clips
ROHS compliant	yes ⓘ

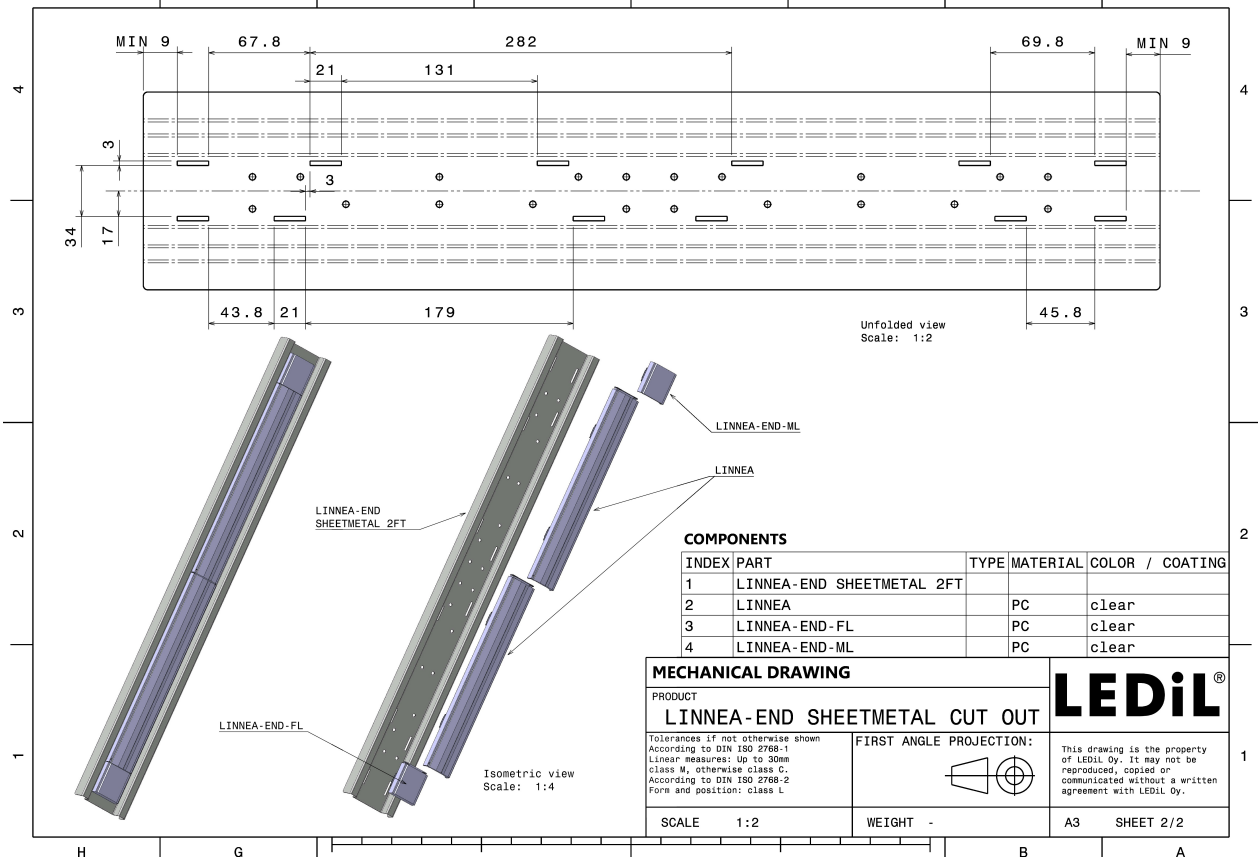
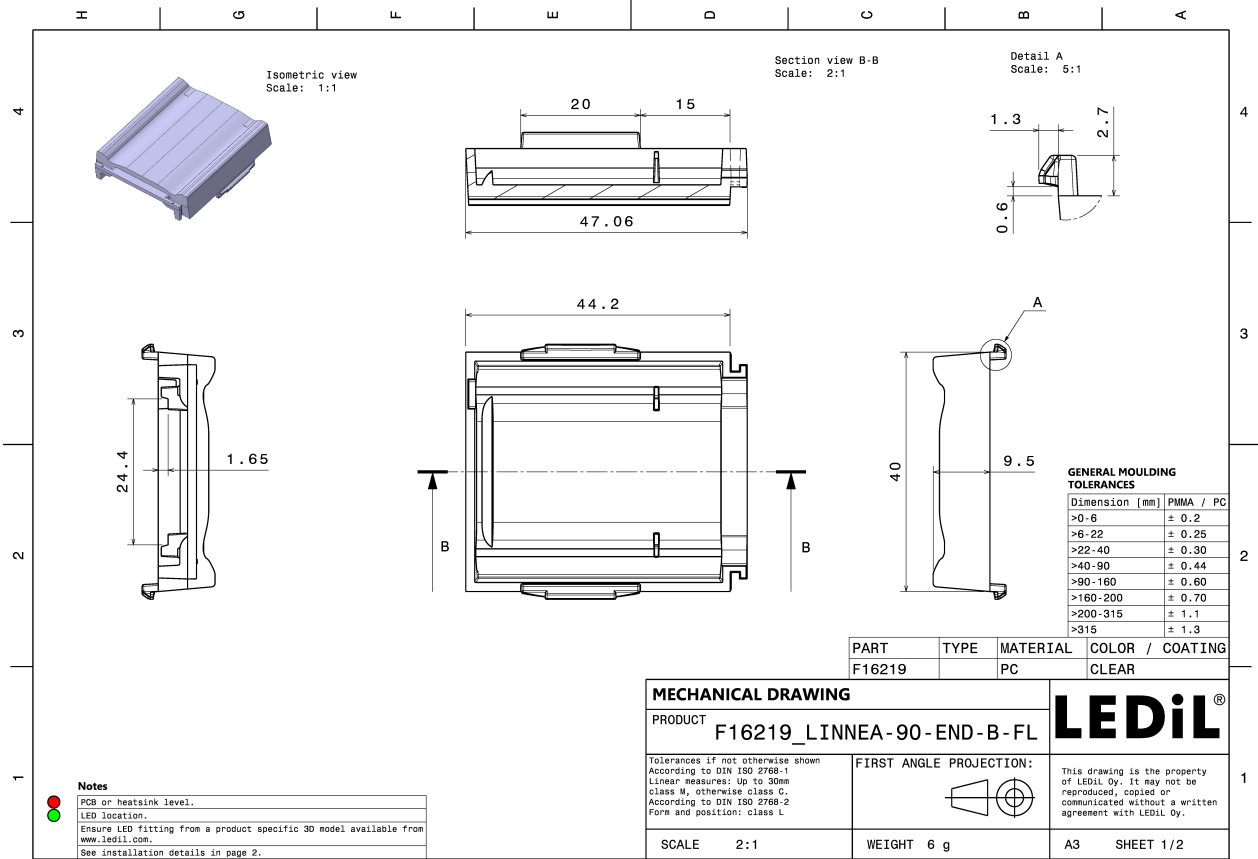
MATERIALS:

Component	Type	Material	Colour	Finish
LINNEA-90-END-B-FL	Accessory	PC	clear	

ORDERING INFORMATION:

Component	Qty in box	MOQ	MPQ	Box weight (kg)
F16219_LINNEA-90-END-B-FL » Box size: 398 x 298 x 265 mm	972	54	54	7.9





See also our general installation guide: www.ledil.com/installation_guide

AVAILABLE LEDiL PRODUCTS:

Product name	Description
F15940_LINNEA-90-B	~90° + 90° wide beam optimized for 0.5 mm metal sheet or profile. Variant made from PC.