

LINNEA-O-END-FL

SPECIFICATION:

Dimensions	40.0 x 44.0 mm
Height	10.5 mm
Fastening	clips
ROHS compliant	yes ⓘ

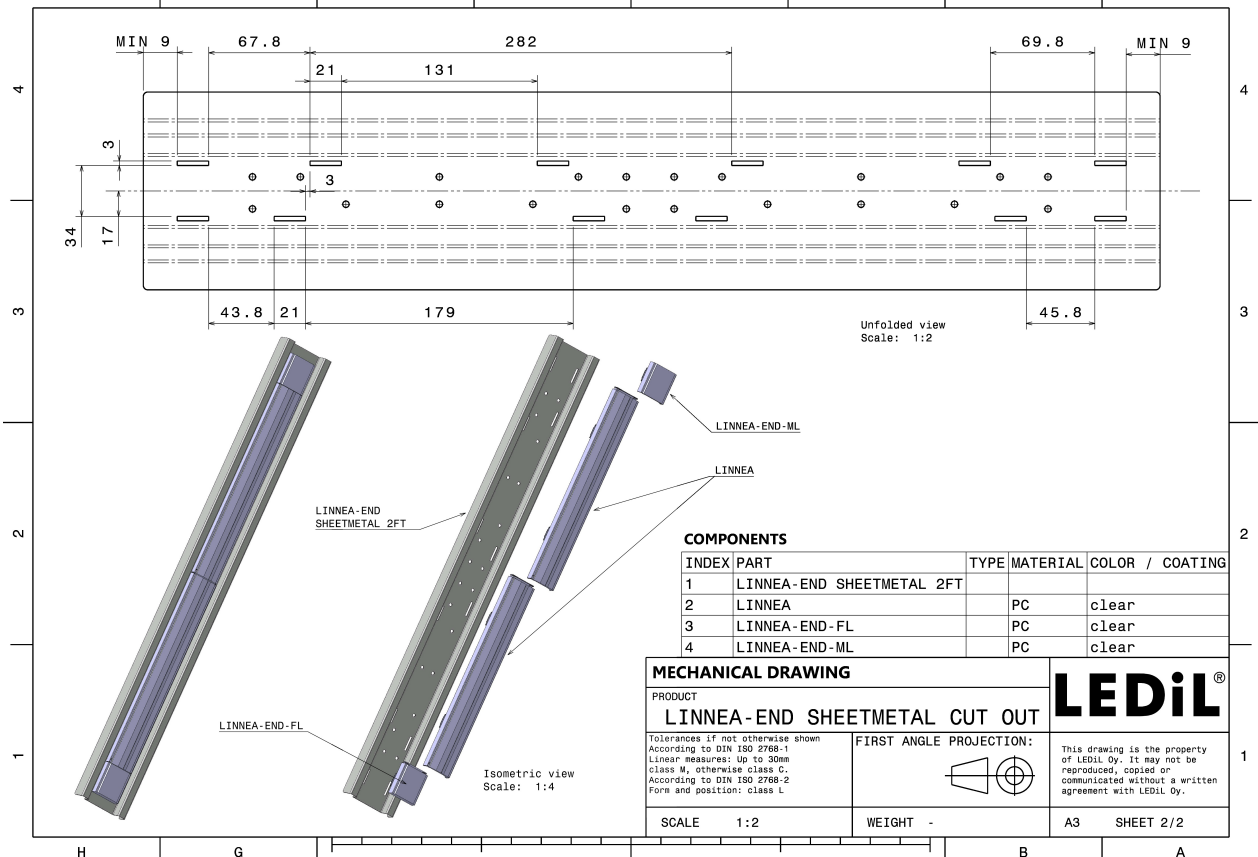
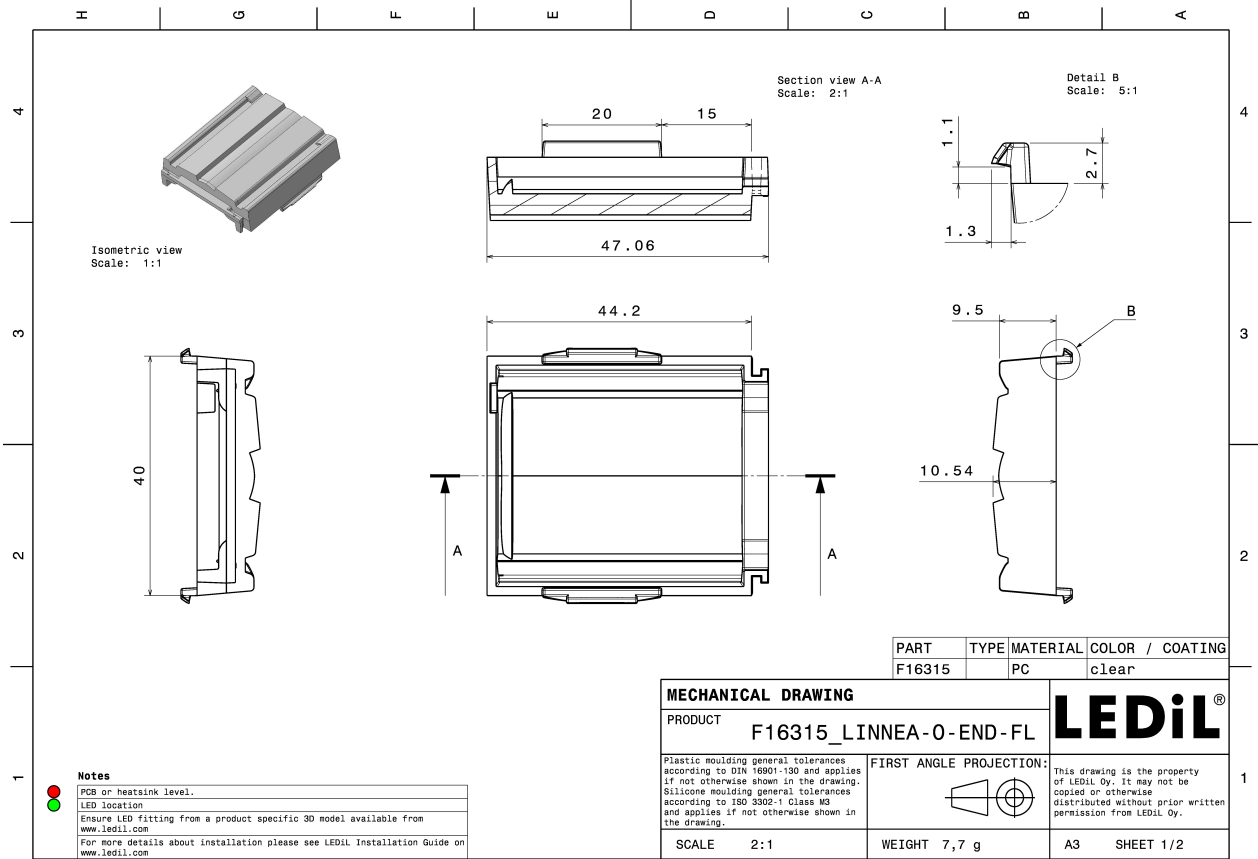
MATERIALS:

Component	Type	Material	Colour	Finish
LINNEA-O-END-FL	Accessory	PC	clear	

ORDERING INFORMATION:

Component	Qty in box	MOQ	MPQ	Box weight (kg)
F16315_LINNEA-O-END-FL » Box size: 398 x 298 x 265 mm	918	54	54	8.8





See also our general installation guide: www.ledil.com/installation_guide

AVAILABLE LEDiL PRODUCTS:

Product name	Description
F15756_LINNEA-O	~35° + 70° oval beam optimized for 1.0 mm metal sheet or profile. Variant made from PC.