

## LINNEA-ZT25-END-ML

Long, male end cap compatible with LINNEA-ZT25

### SPECIFICATION:

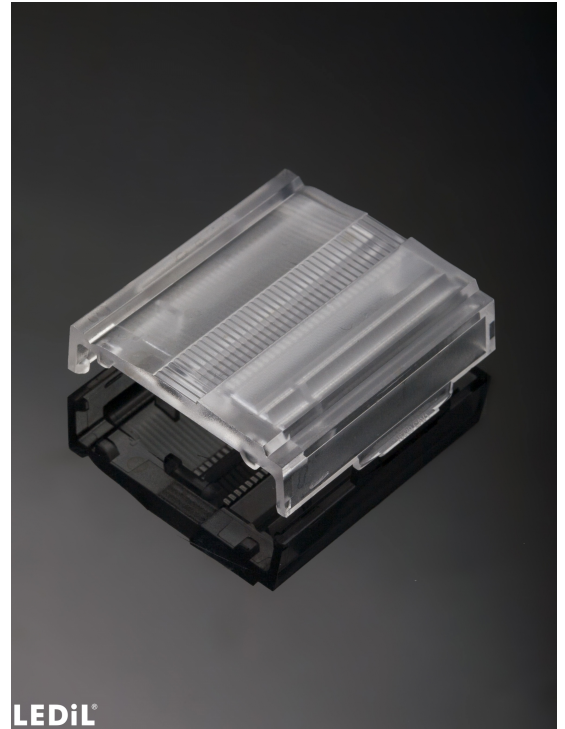
Dimensions	40.0 x 40.0 mm
Height	9.5 mm
Fastening	clips
ROHS compliant	yes ⓘ

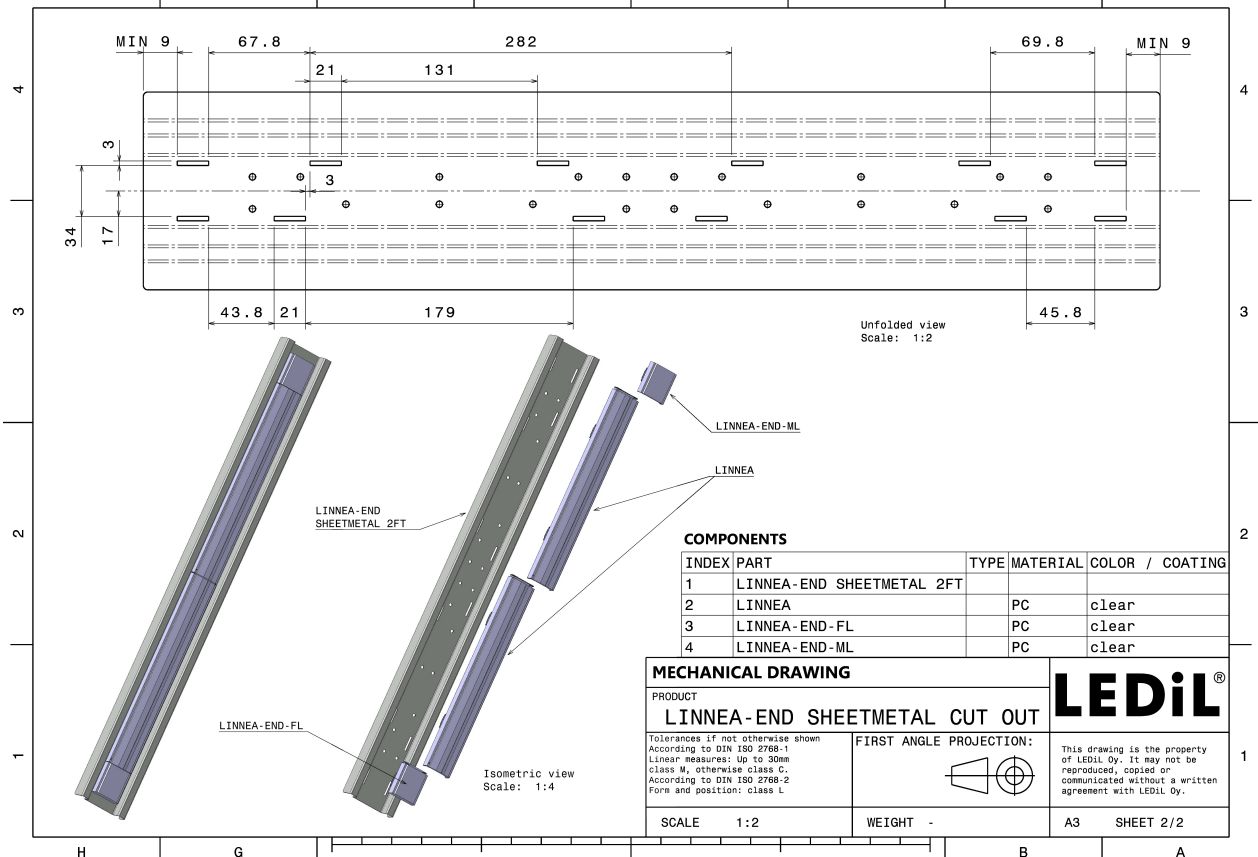
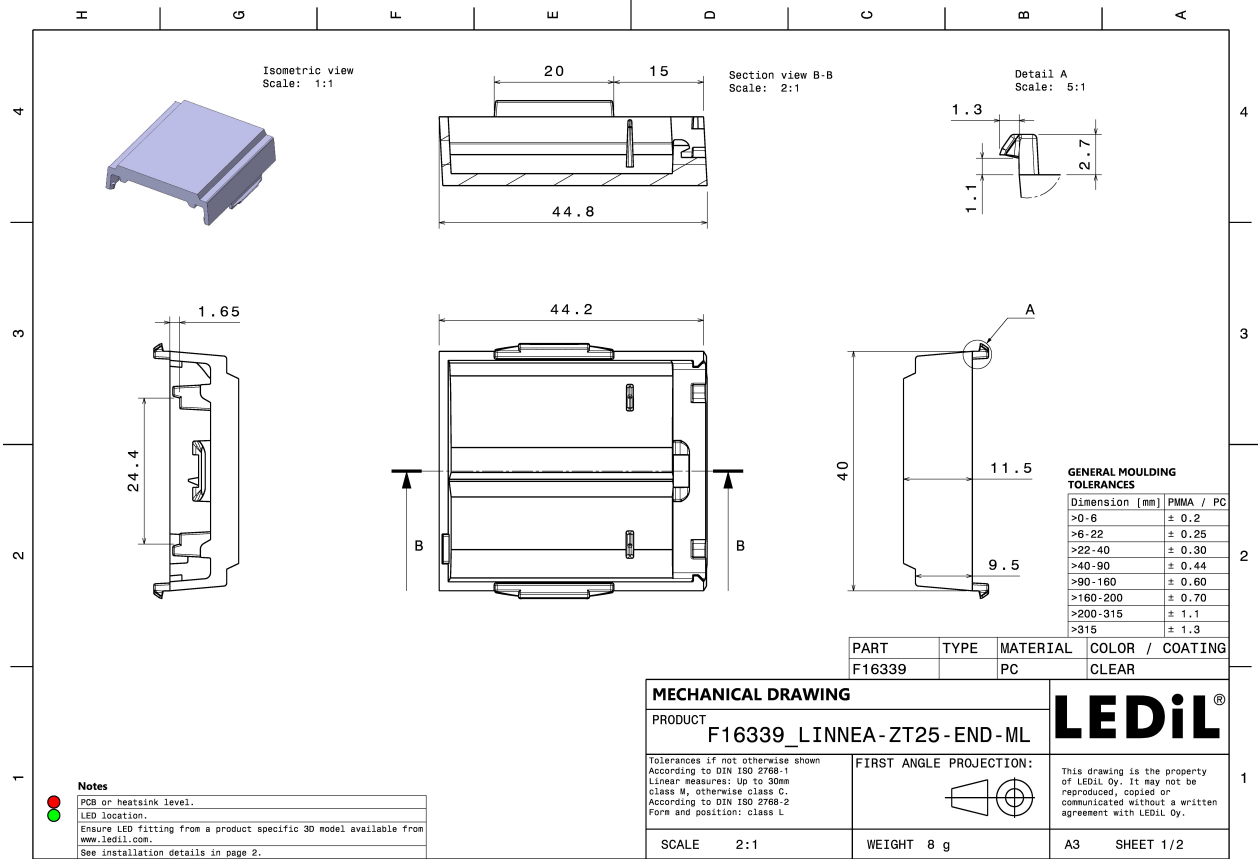
### MATERIALS:

Component	Type	Material	Colour	Finish
LINNEA-ZT25-END-ML	Accessory	PC	clear	

### ORDERING INFORMATION:

Component	Qty in box	MOQ	MPQ	Box weight (kg)
F16339_LINNEA-ZT25-END-ML » Box size: 398 x 298 x 265 mm	864	54	54	8.6





See also our general installation guide: [www.ledil.com/installation\\_guide](http://www.ledil.com/installation_guide)

## AVAILABLE LEDiL PRODUCTS:

### Product name

F15861\_LINNEA-ZT25

### Description

Asymmetric beam for wall-washing and 1.0 mm metal sheet or profile. Variant made from PC.