

LINNEA-ZT25-END-B-FL

Long, female end cap compatible with LINNEA-ZT25-B

SPECIFICATION:

| | |
|----------------|----------------|
| Dimensions | 40.0 x 40.0 mm |
| Height | 9.5 mm |
| Fastening | clips |
| ROHS compliant | yes ⓘ |

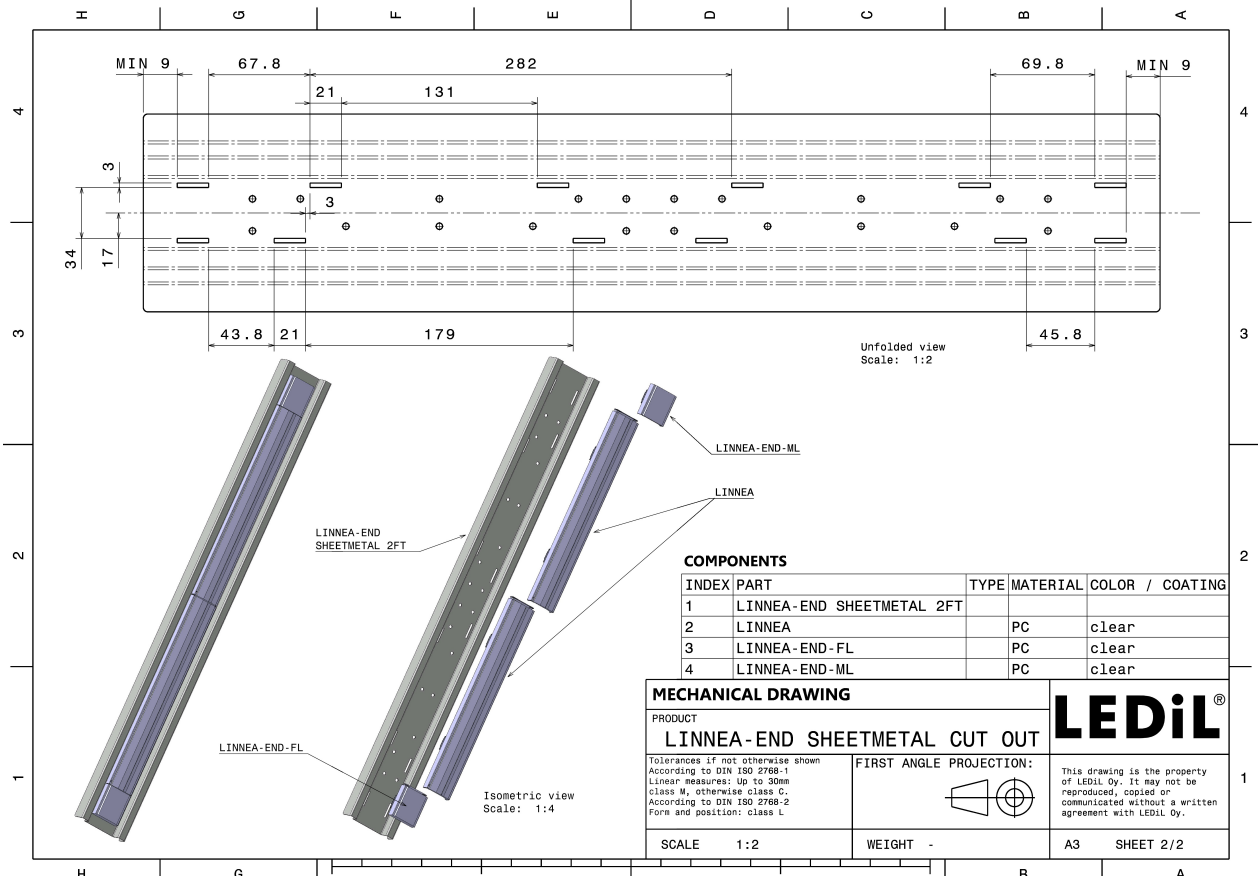
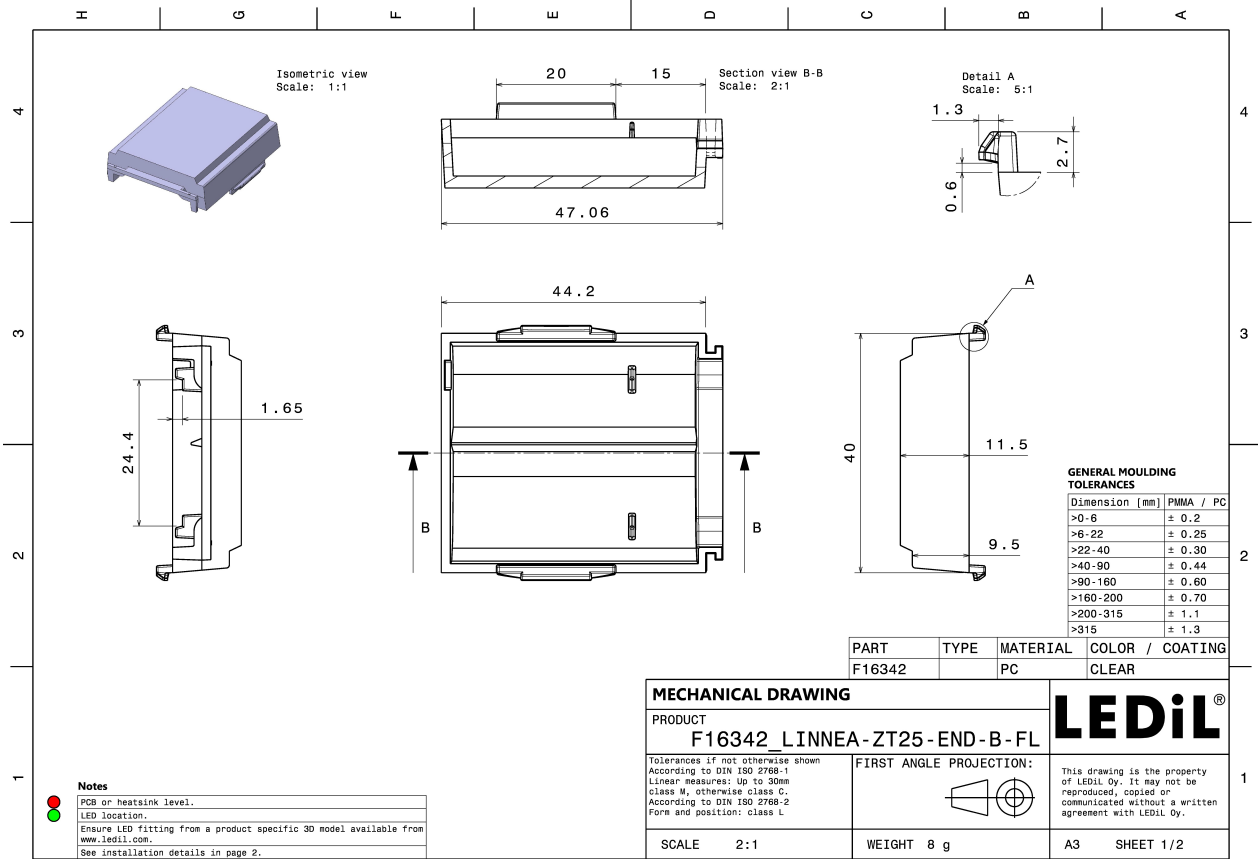
MATERIALS:

| Component | Type | Material | Colour | Finish |
|----------------------|-----------|----------|--------|--------|
| LINNEA-ZT25-END-B-FL | Accessory | PC | clear | |

ORDERING INFORMATION:

| Component | Qty in box | MOQ | MPQ | Box weight (kg) |
|---|------------|-----|-----|-----------------|
| F16342_LINNEA-ZT25-END-B-FL » Box size: 398 x 298 x 265 mm | 864 | 54 | 54 | 8.8 |





See also our general installation guide: www.ledil.com/installation_guide

AVAILABLE LEDiL PRODUCTS:

Product name

F16000_LINNEA-ZT25-B

Description

Asymmetric beam for wall-washing optimized for 0.5 mm metal sheet or profile. Variant made from PC.