

LINNEA-Z2T25-END-ML

Long, male end cap compatible with LINNEA-Z2T25

SPECIFICATION:

Dimensions	40.0 x 40.0 mm
Height	9.5 mm
Fastening	clips
ROHS compliant	yes ⓘ

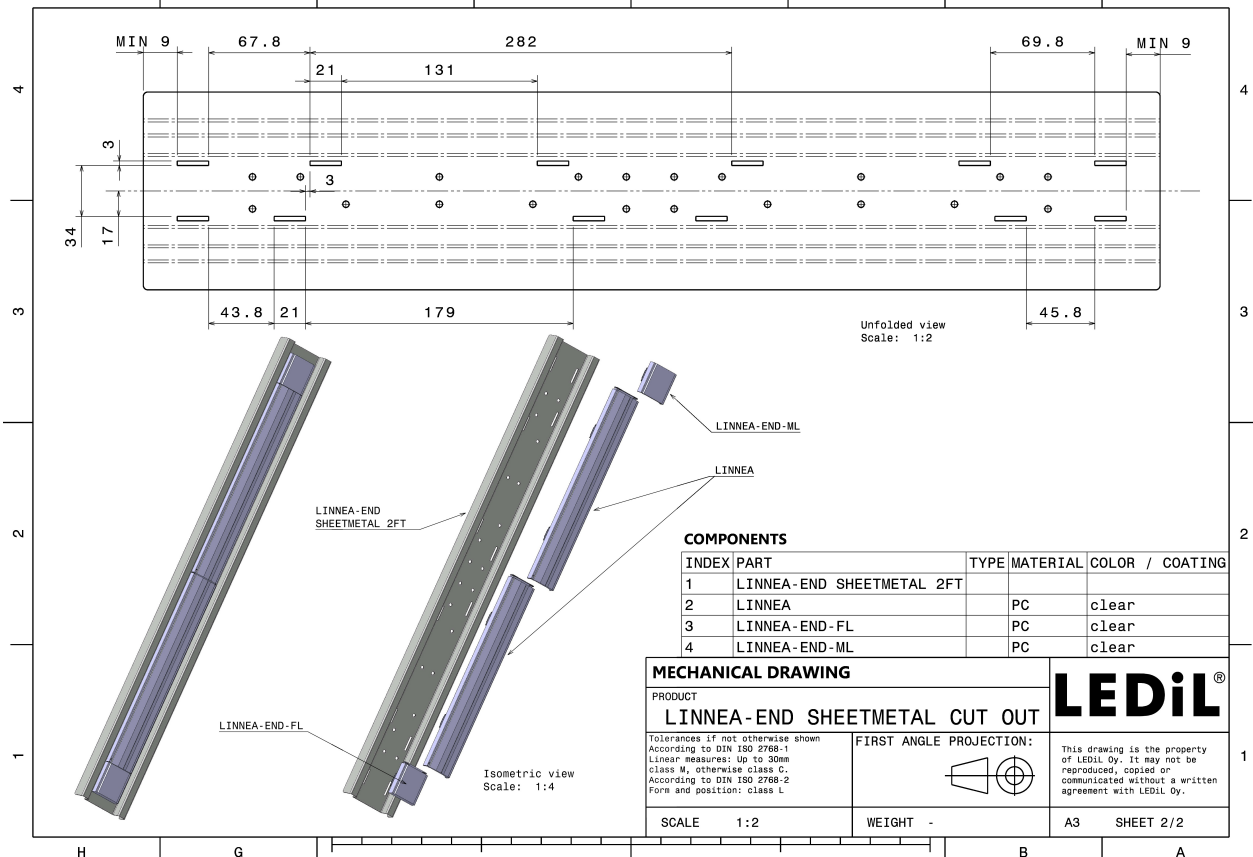
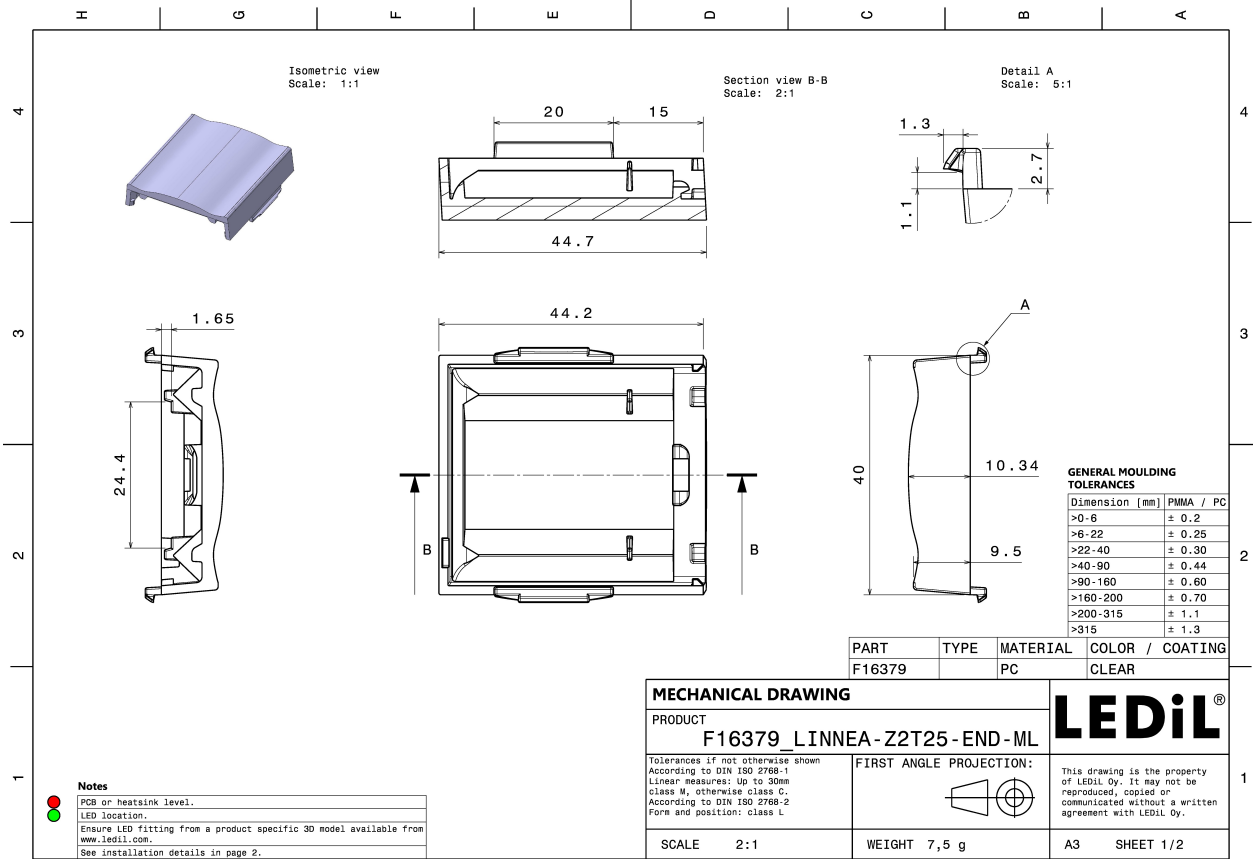
MATERIALS:

Component	Type	Material	Colour	Finish
LINNEA-Z2T25-END-ML	Accessory	PC	clear	

ORDERING INFORMATION:

Component	Qty in box	MOQ	MPQ	Box weight (kg)
F16379_LINNEA-Z2T25-END-ML » Box size: 398 x 298 x 265 mm	972	54	54	9.0





See also our general installation guide: www.ledil.com/installation_guide

AVAILABLE LEDiL PRODUCTS:

Product name	Description
F15860_LINNEA-Z2T25	Double asymmetric beam for aisle and shelf lighting optimized for 1.0 mm metal sheet or profile. Variant made from PC.
F18194_LINNEA-Z2T25	Double asymmetric beam for aisle and shelf lighting with flat support pins optimized for 1.0 mm metal sheet or profile. Variant made from PC