

### LINNEA-60-END-B-FL

Long, female end cap compatible with LINNEA-60-B

#### SPECIFICATION:

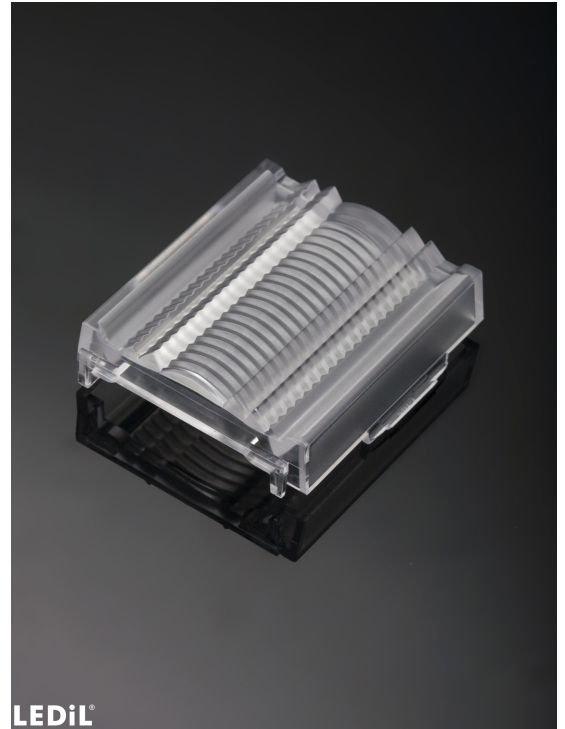
Dimensions	40.0 x 44.0 mm
Height	11 mm
Fastening	clips
ROHS compliant	yes ⓘ

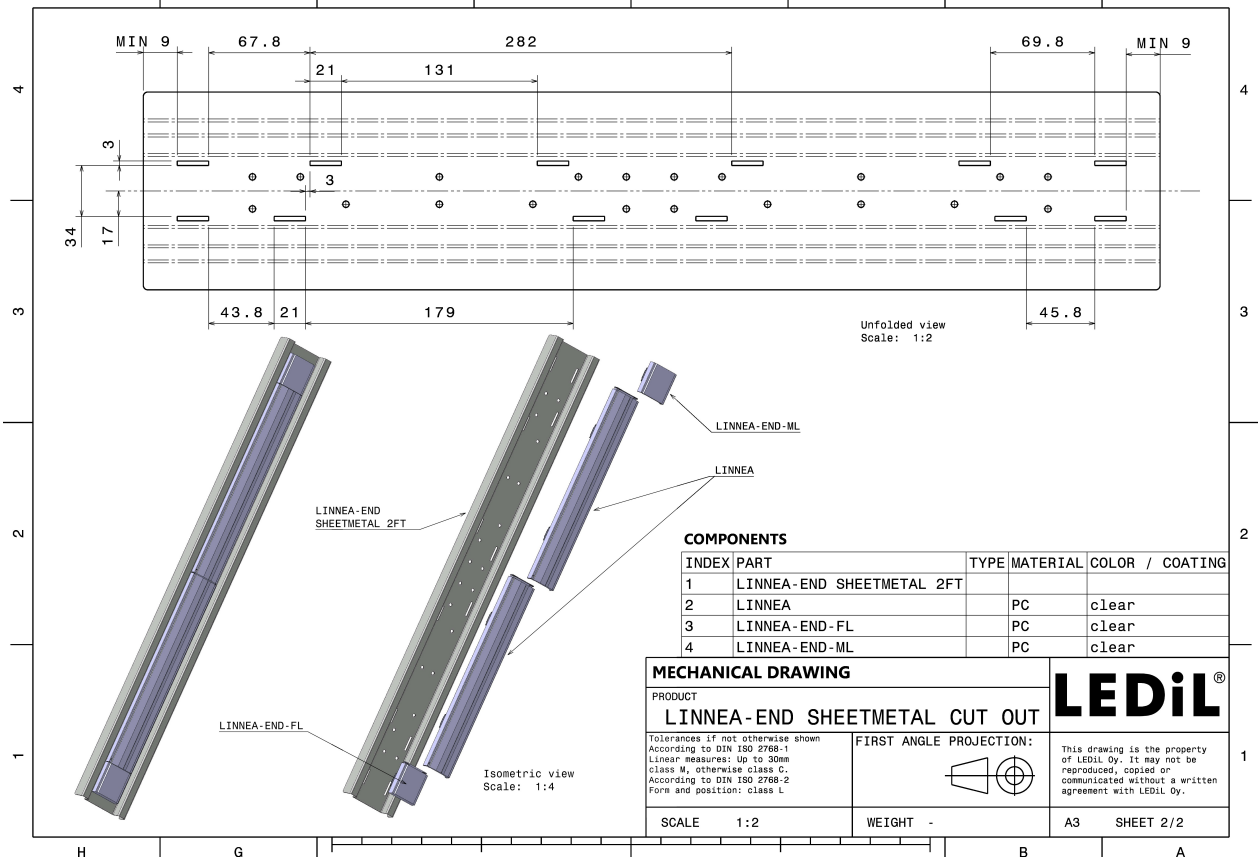
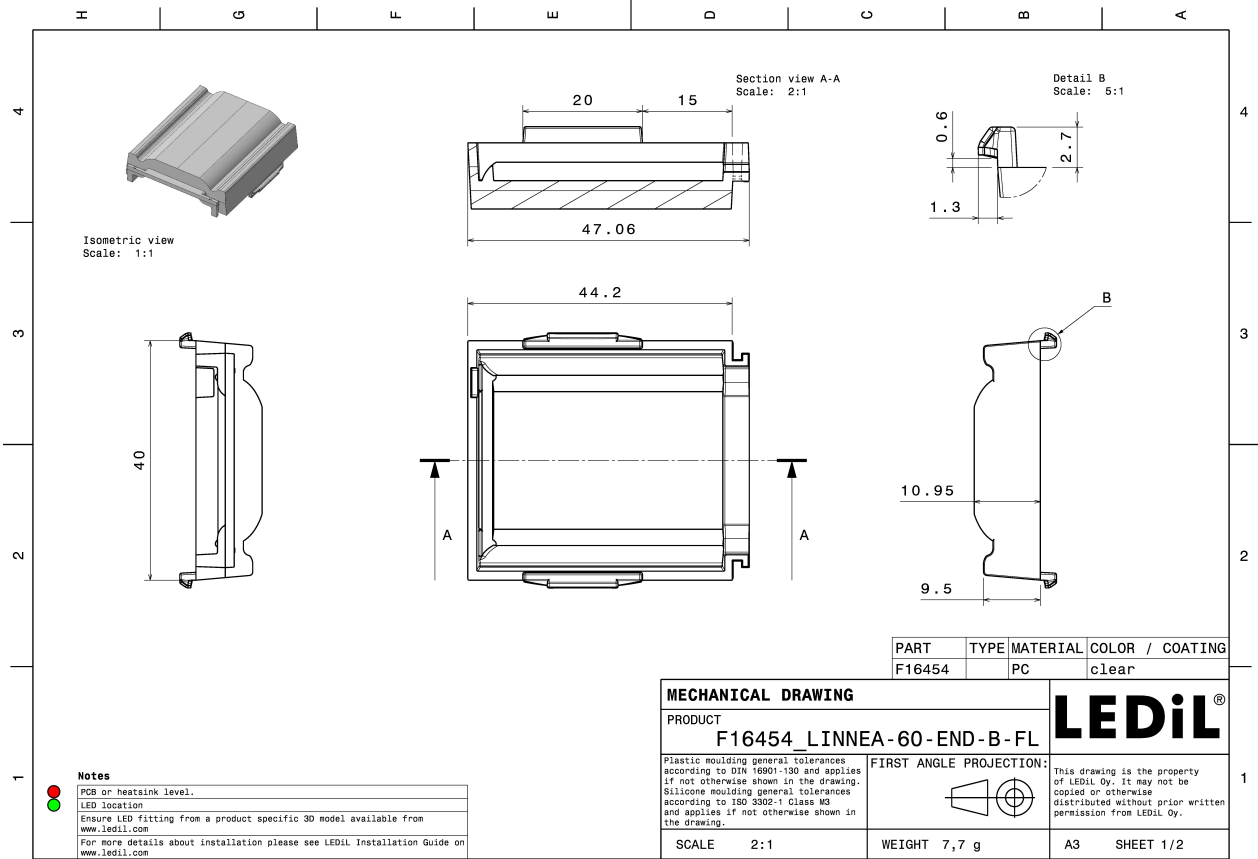
#### MATERIALS:

Component	Type	Material	Colour	Finish
LINNEA-60-END-B-FL	Accessory	PC	clear	

#### ORDERING INFORMATION:

Component	Qty in box	MOQ	MPQ	Box weight (kg)
F16454_LINNEA-60-END-B-FL » Box size: 398 x 298 x 265 mm	918	54	54	8.8





See also our general installation guide: [www.ledil.com/installation\\_guide](http://www.ledil.com/installation_guide)

## AVAILABLE LEDiL PRODUCTS:

Product name	Description
F15941_LINNEA-60-B	~60° + 90° beam optimized for 0.5 mm metal sheet or profile. Variant made from PC.