

LINNEA-GC-90

~90° wide beam

TECHNICAL SPECIFICATIONS:

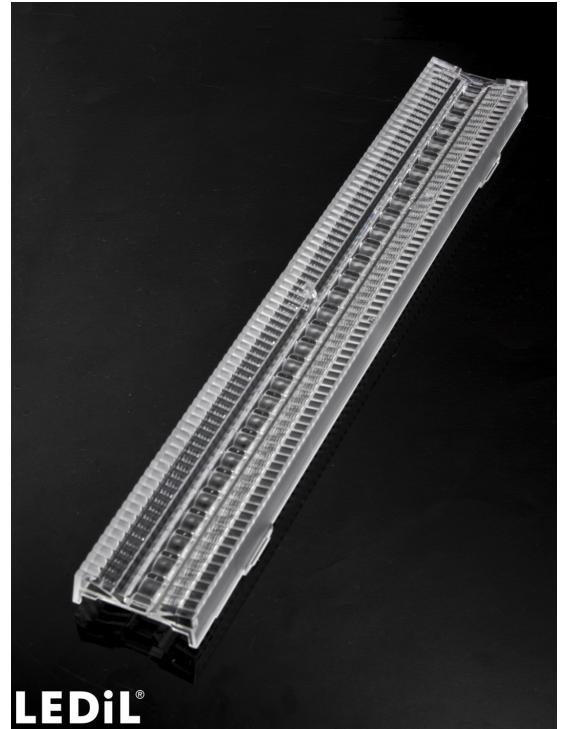
Dimensions	285.0 x 40.0 mm
Height	13.3 mm
Fastening	clips
ROHS compliant	yes ⓘ

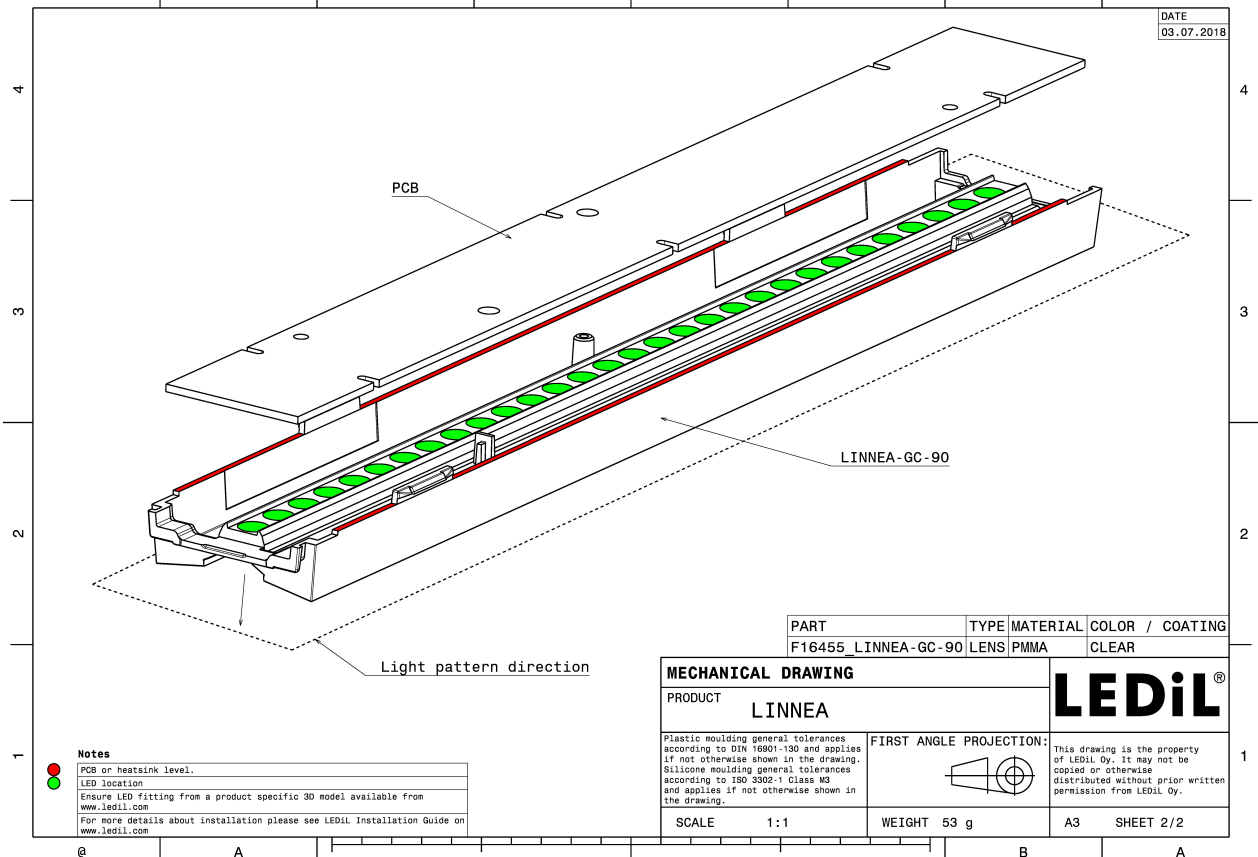
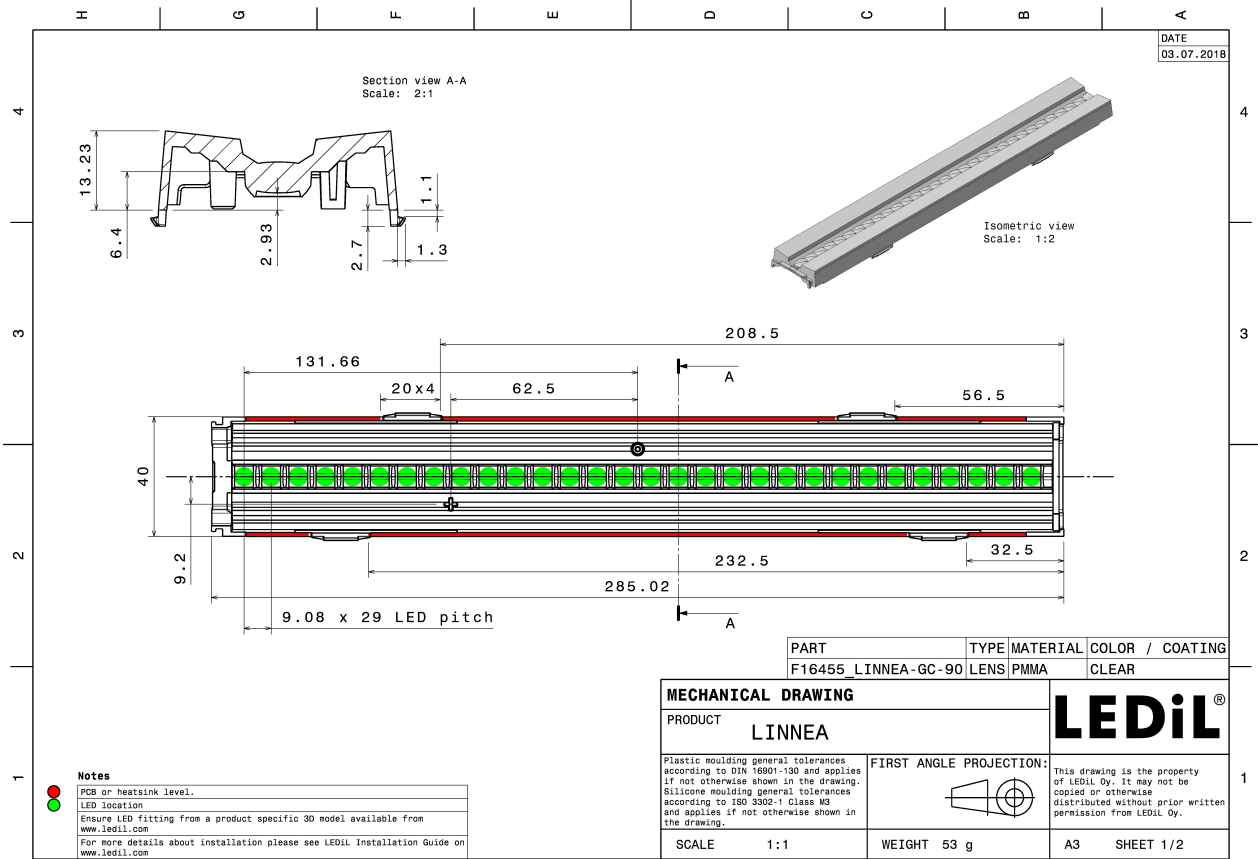
MATERIAL SPECIFICATIONS:

Component	Type	Material	Colour	Finish
LINNEA-GC-90	Linear lens	PMMA	clear	

ORDERING INFORMATION:

Component	Qty in box	MOQ	MPQ	Box weight (kg)
F16455_LINNEA-GC-90 » Box size: 398 x 298 x 265 mm	135	36	36	8.1



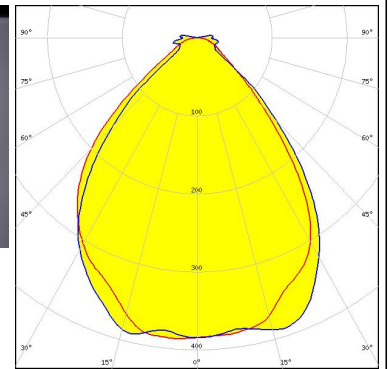


See also our general installation guide: www.ledil.com/installation_guide

PHOTOMETRIC DATA (MEASURED):

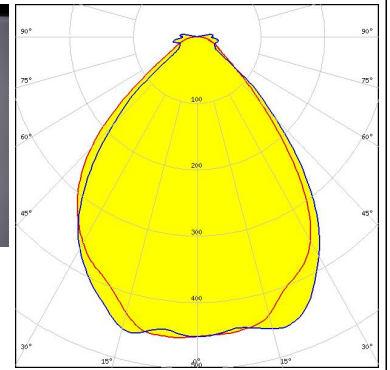
MST | *Your solutions*

LED LinLED 280x24mm 1100lm 8x0 2C 30V Opt G1
FWHM / FWTM 85.0° / 115.0°
Efficiency 90 %
Peak intensity 0.5 cd/lm
LEDs/each optic 1
Light colour White
Required components:



SAMSUNG

LED LM561B Plus
FWHM / FWTM 85.0° / 115.0°
Efficiency 90 %
Peak intensity 0.5 cd/lm
LEDs/each optic 1
Light colour White
Required components:



PHOTOMETRIC DATA (SIMULATED):

